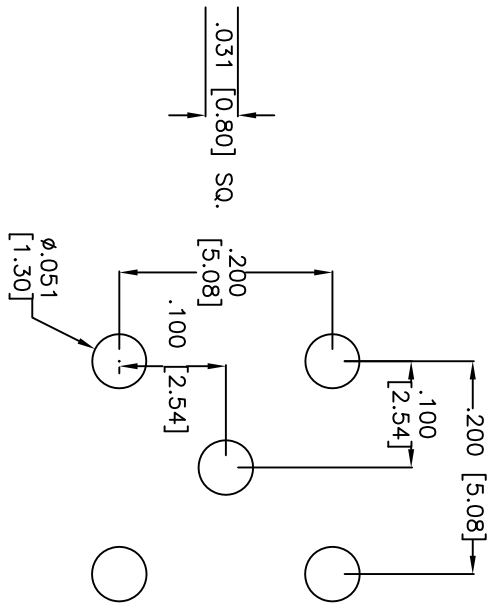
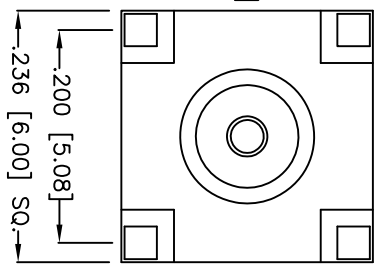
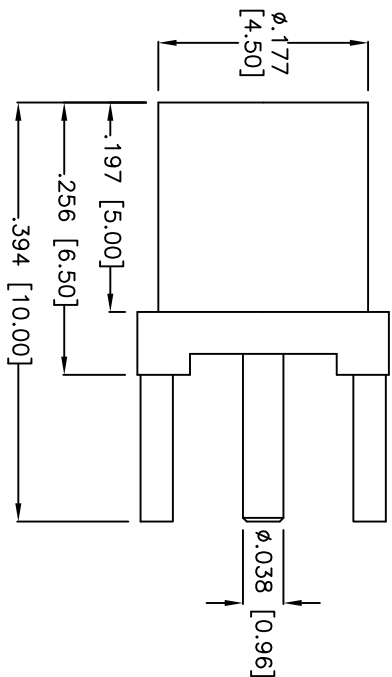


APPROVED: _____
 DATE: _____ TITLE: _____

Rev	AWO #	Description	Date	Appr
-		RELEASED	4/2/04	
A		REDRAWN	11/13/09	
B		ADDED OPERATING TEMP.	9/24/10	



RECOMMENDED PCB LAYOUT

DIELECTRIC	TEFLON	NONE
PIN	BRASS	GOLD
BODY	BRASS	GOLD
DESCRIPTION	MATERIAL	FINISH

SPECIFICATIONS:

Electrical:
 Nominal Impedance: 50 ohms
 Frequency range: 0-6 GHz
 Working Voltage: 335 VRMS max.
 Dielectric Withstanding Voltage: 1000 VRMS min.
 Contact Resistance: 5 Milliohms max. (Center Contact)
 2.5 Milliohms max. (Outer Contact)
 Insulator Resistance: 1000 Megohms min
 Operating temperature: -65°C to +155°C.
 Environmental:
 Lead free, RoHS Compliant

ADAM TECH

909 Rahway Avenue, Union, NJ 07083
 Phone: 908-687-5000 Fax: 908-687-5710

MCX FEMALE PCB MOUNT

UNLESS OTHERWISE SPECIFIED ALL DIMENSIONS ARE MM	
TOLERANCES: EXCEPT AS NOTED	
INCHES	HOLES
.X ± .10	Ø.X ± .10
.XX ± .020	Ø.XX ± .015
.XXX ± .015	Ø.XXX ± .010
APPROVALS	
DRAWN	SLS
CHECKED	
APPROVED	
DATE	4/2/04

TITLE	MCX FEMALE PCB MOUNT
SIZE	PART NO.
X	RF11-04-D-00-50-G
REF:	S00084T
SCALE:	NTS
SHEET	1 OF 1
REV.	B

6 5 4 3 2 1

6 5 4 3 2 1

