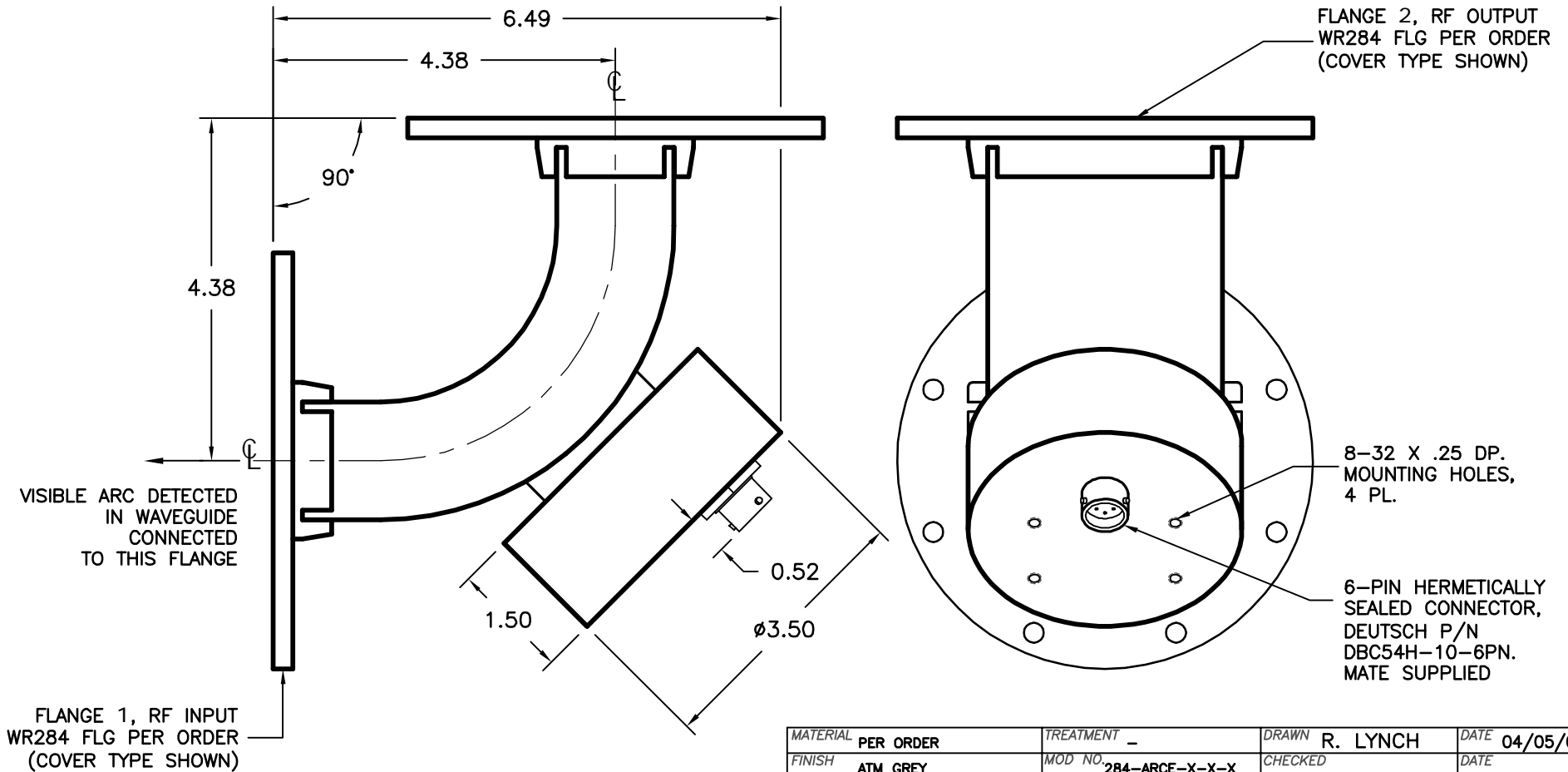


REV. -	AUTH. RL	DATE 04/05/05	INITIAL RELEASE	APPROVED
REV. A	AUTH. RL	DATE 06/07/02	INITIAL RELEASE	APPROVED
REV. B	AUTH. JLE	DATE 08/16/04	ADDED NOTES: INPUT, OUTPUT, ARC DETECTION FLANGE 1 COVER WAS: CPRG, FLANGE 2 COVER WAS: CPRF	APPROVED
REV. C	AUTH. RL	DATE 05/12/05	NOTES REVISED	APPROVED
REV. D	AUTH. RL	DATE 06/13/05	DWG FORMAT UPDATED	APPROVED



MATERIAL PER ORDER	TREATMENT -	DRAWN R. LYNCH	DATE 04/05/05	
FINISH ATM GREY	MOD. NO. 284-ARCE-X-X-X	CHECKED	DATE	
<p align="center"><b>OUTLINE, WR284 ARC DETEC. 90° E-BEND</b></p>		APPROVED	DATE	
		CAGE CODE: ORBN4	DO NOT SCALE DWG	
ADVANCED TECHNICAL MATERIALS, INC. 49 RIDER AVE., PATCHOGUE N.Y. 11772 TEL: (631) 289-0363 FAX: (631) 289-0358 http://www.atmmicrowave.com		UNLESS OTHERWISE NOTED DIMENSIONS ARE IN INCHES TOLERANCES ARE:	FRACTIONS ±1/64 DECIMALS ±.03 ANGLES ±1/2°	SHEET. 1/1
			SCALE NONE DWG. NO. 4994W	REV. D