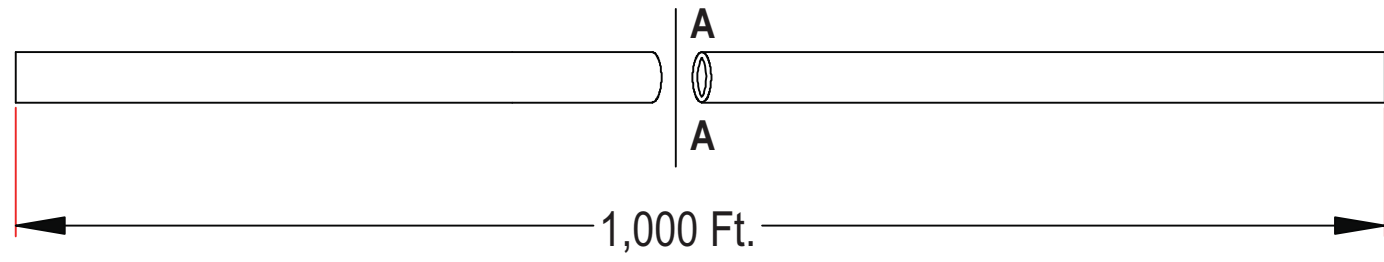


A



A

B

C

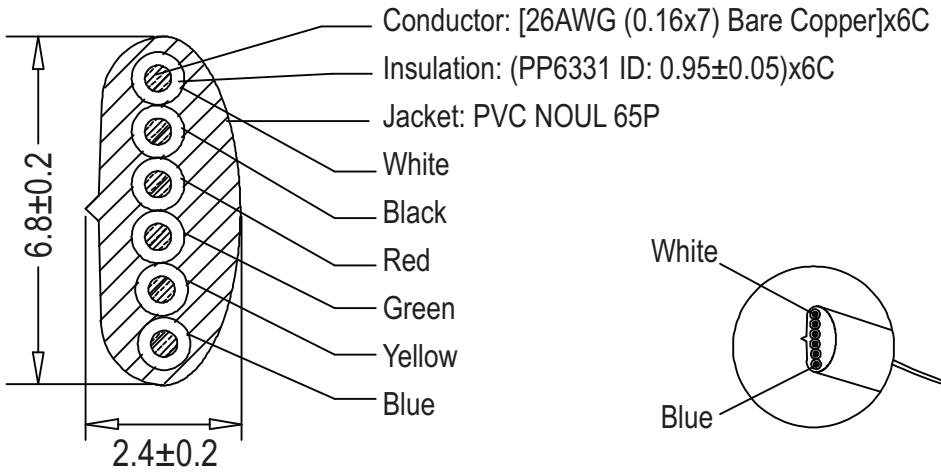
D

E

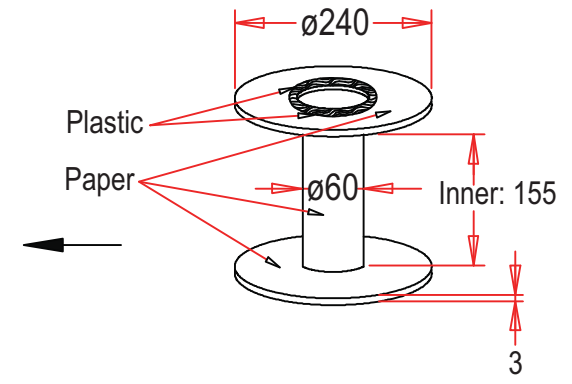
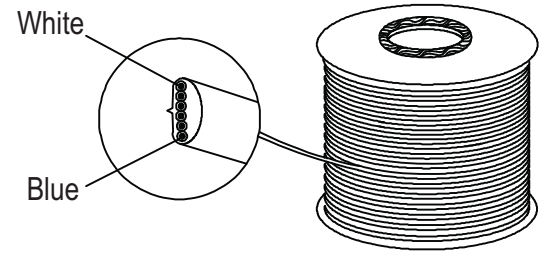
F

G

H



Sec: A - A



1,000Ft/R. "PE" Foam Wrapped

Unit: MM



Scale	1:1						Name
TOLERANCE						Drawn	11.18.11
X.X	±0.40					Approved	Chappell
X.XX	±0.25						
X.XXX	±0.15						
Angle	±3°						



Item No. AT-K-26-6-B/1000-R	
Title Modular Straight cable - Raw, 6 Contact, 26AWG, Black, 1000Ft	
Drawing No.	rev00
Replace	Sheet