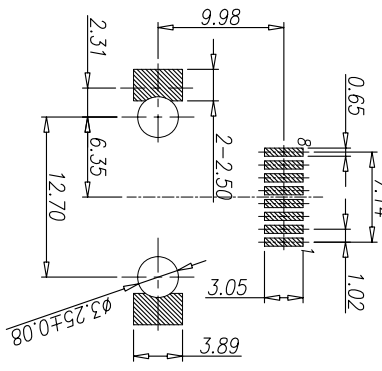
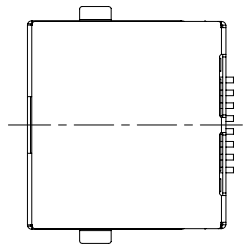


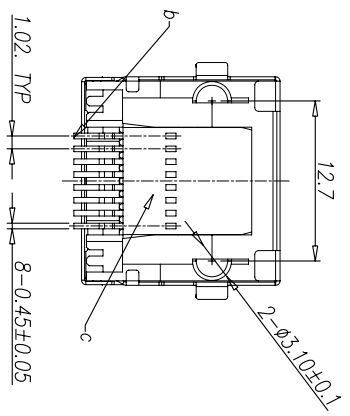
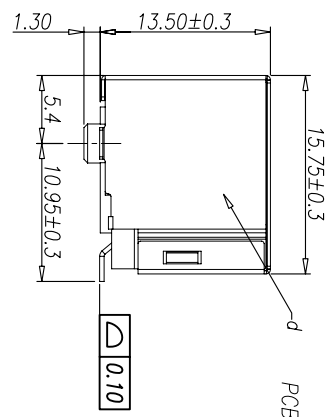
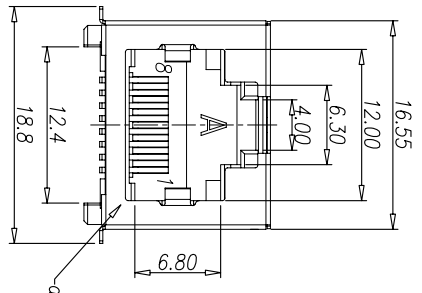
CATEGORY	DESCRIPTION	P/N #
CONNECTOR	Modular Jack, 8P8C, 90° WITH SHELL AND WITHOUT LED SMT TYPE	MJ5688-BX11-HR1-X

料号由原 MJ5688-BX11-HR1
变更为 MJ5688-BX11-HR1-X

REV.	ECN NO	DESCRIPTION	REVISED	DATE
A01		New Release	XSY	2012.08.21
A02		整理图面, 修正管脚尺寸	XSY	2015.08.21
A03		新增包装选项	XSY	2016.05.06



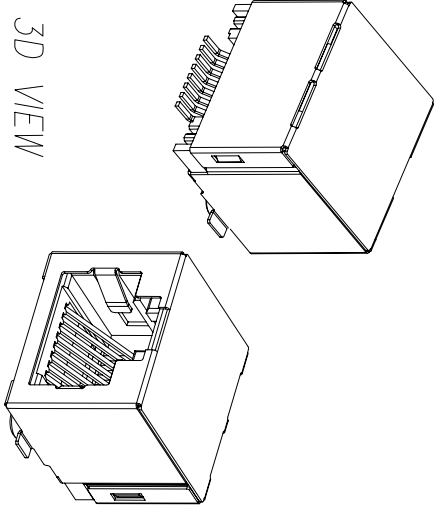
RECOMMEND PCB LAYOUT
PCB THICKNESS: 1.60mm.
Jack Top View
PCB LAYOUT TOLERANCE: ± 0.05 mm.



Material & Plating

X	Terminal Plating
0	Au 1u" Plating
1	Au 3u" Plating
2	Au 6u" Plating
3	Au 15u" Plating
4	Au 30u" Plating
5	Au 50u" Plating

X	包装方式
C	卷带包装
P	吸塑盒包装



3D VIEW

东莞市合陵电子有限公司
Dongguan Heling Electronic Co.,LTD

d	Shell	1	Braze T=0.25mm	Plating Ni 30u" Min	
c	Cover	1	LCP U194V-0	BLACK	
b	Terminal	8	Phosphor Bronze T=0.35mm	Au/Tin Plating	
a	Housing	1	LCP U194V-0	BLACK	
NO.	PART NAME	QTY	MATERIAL	PLATING & COLOR	Remark

UNLESS OTHERWISE SPECIFIED TOLERANCES

SCALE: 1/1 UNIT: mm DWG.NO: W-061-034

DECIMALS:	ANGLES:	APPROVED BY	CHECKED BY	PREPARED BY
X : ±0.5	X : ±2°			
X.X : ±0.3	X.X : ±1°	DICK	XSY	XSY
X.XX : ±0.2				
X.XXX : ±0.1				

CUSTOMER COPY