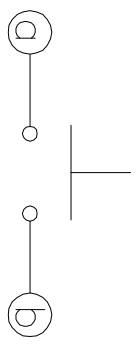
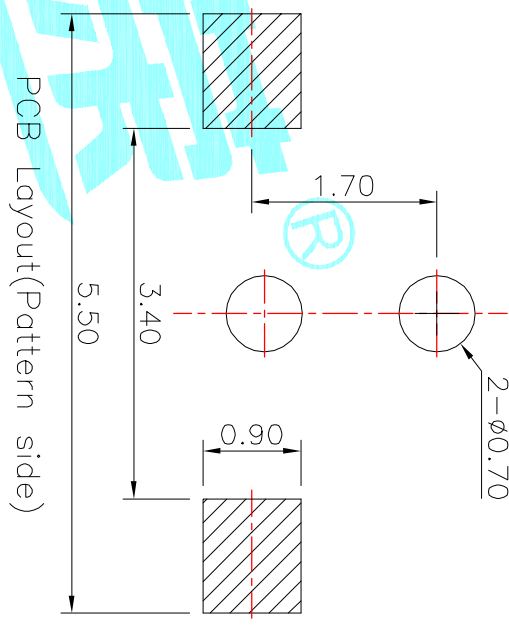
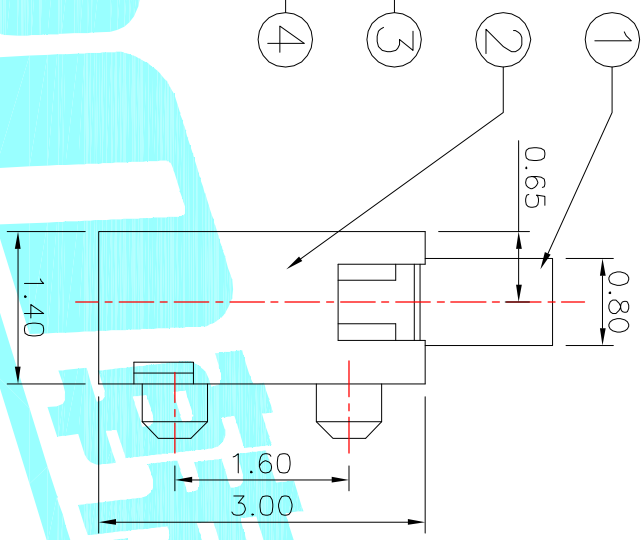
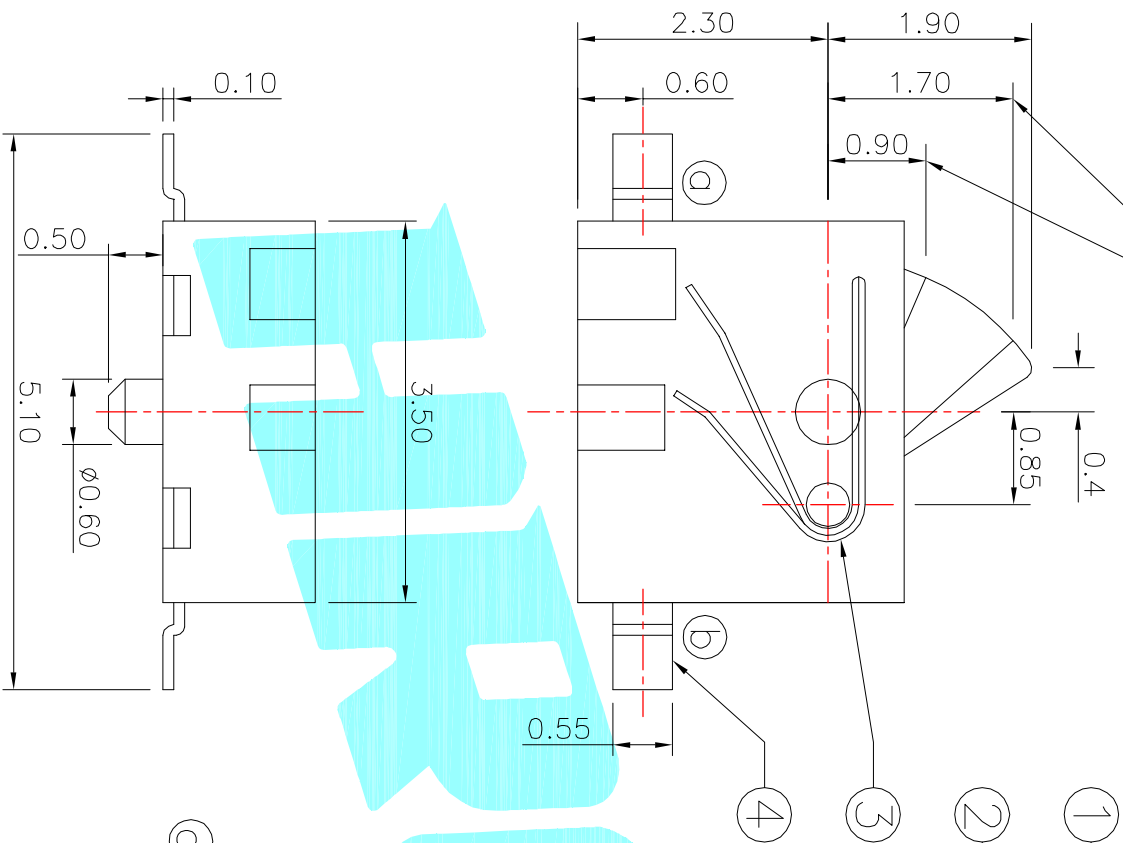


ON Starting Position

Total Travel Position



Circuit Diagram

NOTE:
 Rating: DC 30V 0.1A
 Operating Force: 20 ± 10 gf
 Lifetime: 100,000 Cycles

ITEM	PART NAME	TER'NO.	QTY.	MATERIAL	FINISHING	REMARK
④	Terminal	—	2	Phosphor Bronze	Ag Plated	
③	Contact Spring	—	1	Be Alloy	Ag Plated	
②	Housing	—	1	LCP	Black	
①	Slider	—	1	PA46	Black	

APPROVALS		DATE	TITLE:
DRAWN	J.X.Zhang	2013/8/23	DETECTOR SWITCHS
CHECKED			
APPROVALS			

ECN NO.	REV.	DATE.	DESCRIPTION.	CHANGE.	CHECK.	APPRO.
	A		NEW			
TOLERANCES ARE			30~12.5 ±0.30	10~30 ±0.20	5~10 ±0.15	~5 ±0.10
			ANGLE	±2'	DRAWING NO.	
			PART NO.	K5-1634SA-02		PROJ:
			UNIT: mm	SCALE: 1:1	SHEET 1 OF 1	



ELECTRONICS CO.,LTD