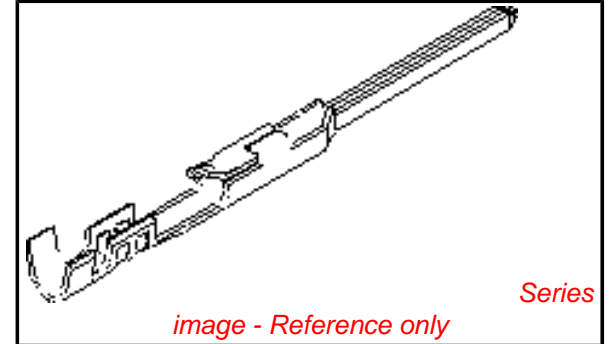


PLEASE CHECK WWW.MOLEX.COM FOR LATEST PART INFORMATION

Part Number: [0016020115](#)
Status: **Active**
Overview: [cgrid_sl_products](#)
Description: SL™ Crimp Terminal, Series 70021, Male, with 0.38µm (15µ") Selective Gold (Au) Plated Contact, 22-24 AWG, Bag

Documents:

[Drawing \(PDF\)](#) [RoHS Certificate of Compliance \(PDF\)](#)
[Product Specification PS-70021 \(PDF\)](#)



General

Product Family	Crimp Terminals
Series	70021
Crimp Quality Equipment	Yes
Overview	cgrid_sl_products
Product Name	SL™

Physical

Gender	Male
Material - Metal	Phosphor Bronze
Material - Plating Mating	Gold
Material - Plating Termination	Tin
Packaging Type	Bag
Plating min: Mating (µin)	15
Plating min: Mating (µm)	0.375
Plating min: Termination (µin)	75
Plating min: Termination (µm)	1.875
Termination Interface: Style	Crimp or Compression
Wire Insulation Diameter	1.63mm (.064") max.
Wire Size AWG	22, 24
Wire Size mm²	N/A

Material Info

Old Part Number 70021-0223

Reference - Drawing Numbers

Packaging Specification	PK-70873-0822
Product Specification	PS-70021
Sales Drawing	SD-70021-0*06_0*23, SD-70021-0223

EU RoHS ELV and RoHS Compliant REACH SVHC Contains SVHC: No Halogen-Free Status Halogen-Free	China RoHS 
---	--

Need more information on product environmental compliance?

Email productcompliance@molex.com
 For a multiple part number RoHS Certificate of Compliance, [click here](#)

Please visit the [Contact Us](#) section for any non-product compliance questions.

Search Parts in this Series
[70021Series](#)

Use With
[70066 Housing](#), [70107 Housing](#)

Application Tooling | FAQ
Tooling specifications and manuals are found by selecting the products below. Crimp Height Specifications are then contained in the Application Tooling Specification document.

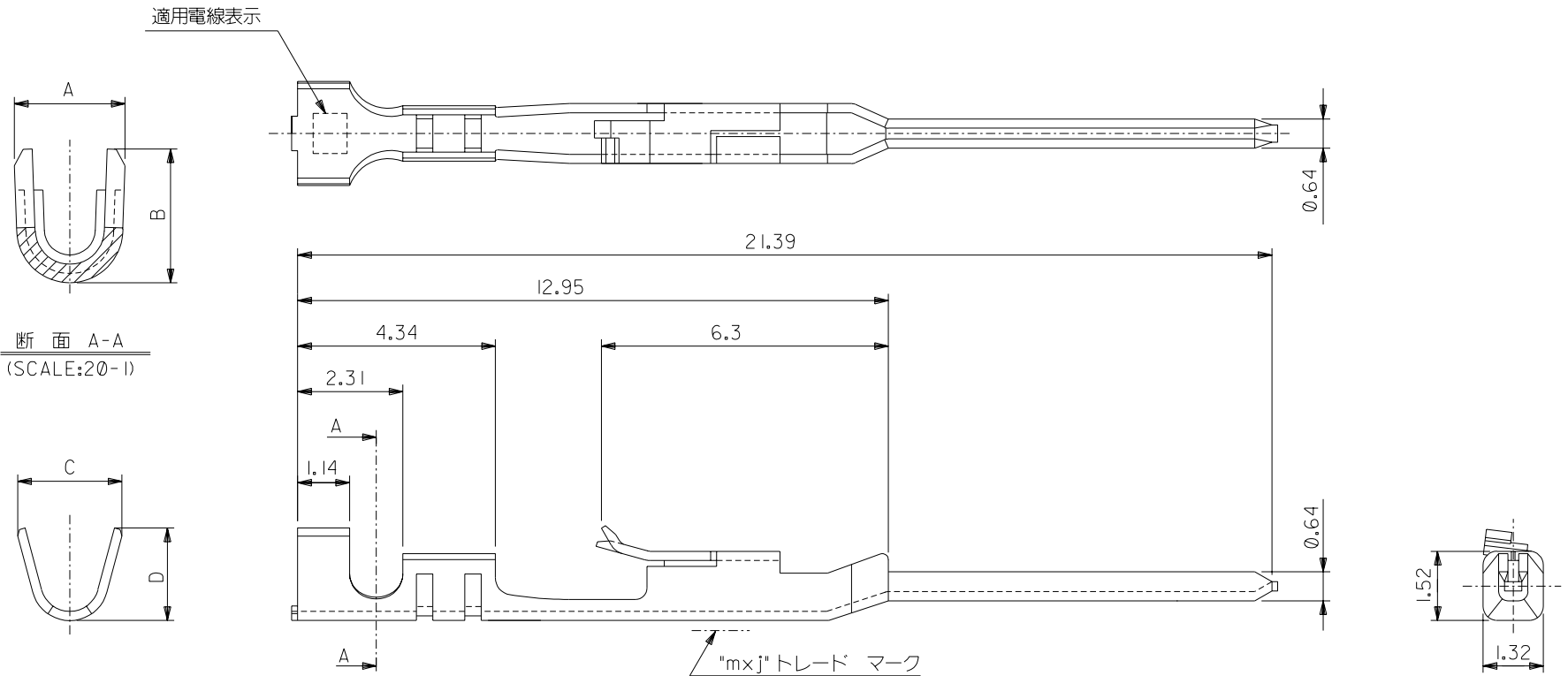
Global	
Description	Product #
Hand Crimp Tool	0638118700
Insertion Tool	0011020022
Extraction Tool	0011030036
Japan	
Description	Product #
Hand Crimp Tool	0570365000
Hand Crimp Tool	0570375000

PLEASE CHECK WWW.MOLEX.COM FOR LATEST PART INFORMATION

ENG. NO.
SD-70021-0*06
0*23

EDP NO.
—#—

ALL DIMENSIONS IN METRIC DO NOT SCALE DRAWING



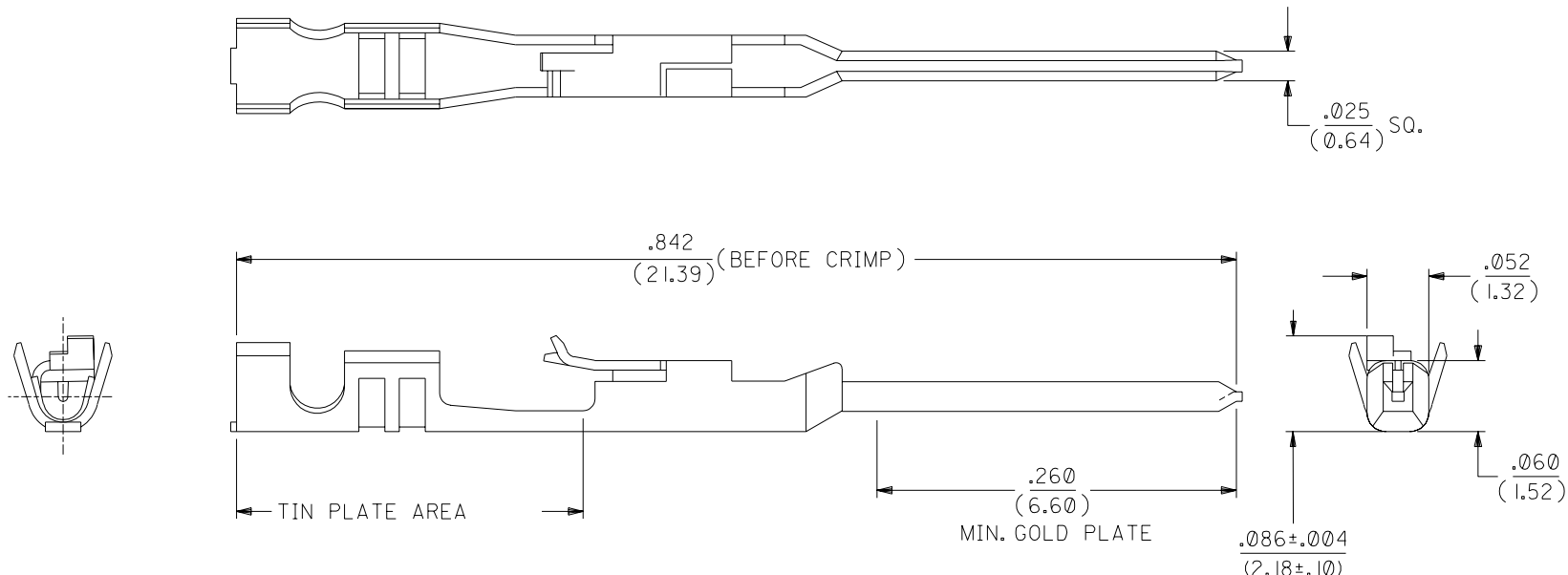
注記:

- 適合ハウジング: 70066-****, 70107-****
- メッキ仕様:
 - 接点部 : 金メッキ, 0.38 μmMIN.
 - 圧着部 : 錫メッキ, 1.91 μmMIN.
 - 下地メッキ: ニッケルメッキ, 1.27 μmMIN.

1.91	2.1	1.47	1.22	A	φ 1.6 MAX.	AWG#24-#30	連鎖状	70021-0006
1.91	2.1	1.65	1.84	C		AWG#22-#24	バラ状	70021-0223
D	C	B	A	適用電線表示	被覆外径	適用電線範囲	端子形状	MATERIAL No.

				材料 MATERIAL 磷青銅	molex MOLEX-JAPAN CO.,LTD. 日本モレックス株式会社
				t 0.203	
				仕上げ FINISH 注記参照	EDP. NO. —#—
				適用電線範囲 WIRE RANGE 表参照	ENG. NO. SD-70021-0*06 0*23
				被覆外径 INS. RANGE 表参照	REV B
角度 ANGLE	+3°	B 変更 (J2004-4519)	1/11/94	DR. M.S.	TITLE 名称 SL MALE CRIMP TERMINAL -LEAD FREE-
30 以上 OVER	+0.3	A 変更 (JD60398)	1/11/95	M.S.	
10 以上 OVER 30 未満 UNDER	+0.25	0 新規作成 (T00110)	1/11/99	M.S.	
10 未満 UNDER	+0.2	記号 変更内容 LTR REVISION RECORD	DR. 日付 CHK. DATE	APP'D BY S. Yamada	
一般公差 GENERAL TOLERANCES		REVISE ONLY ON CAD SYSTEM			

THIS DRAWING CONTAINS INFORMATION THAT IS PROPRIETARY TO MOLEX(JAPAN) AND SHOULD NOT BE USED WITHOUT WRITTEN PERMISSION
本図面は日本モレックス(株)の所有する情報を含むもので 当社の許可なく複製を禁止する。



NOTES:

1. TERMINAL FOR USE WITH HOUSING PART NO. 70066-**** & 70107-****.
2. MATERIAL: .008/(0.20) THK. PHOSPHOR BRONZE.
3. TERMINAL TO BE USED WITH 22-24 AWG STRANDED WIRE WITH .064 DIA. MAX. INSULATION.
4. REFER TO MOLEX OPERATIONAL AND SERVICE MANUAL FOR DETAILS.
5. REFER TO PRODUCT SPECIFICATION NO. PS-70021.
6. PARTS SUPPLIED LOOSE PER DRAWING PK-70873-0822.

PLATING:

.000015 GOLD PLATE IN SELECT AREA.
 .000075 MIN. TIN PLATE IN SELECT AREA.
 OVER NICKEL PLATE.

*THE PRIMARY SHIPPING CARTON WILL BE LABELED "COMPLIANT TO RoHS DIRECTIVE 2002/95/EC AND ELV ANNEX II OF DIRECTIVE 2000/53/EC". CARTONS WITHOUT THIS LABEL MAY CONTAIN PRODUCT WITH LEAD.

E	LEAD FREE UCP2004-1769 RWHITE 04/03/15
D2	REVISED PER ECR #U80270 MCGRATH 97/07/31
D1	REVISED PER ECR #U70928 MCGRATH 97/06/26
D	REVISED PLTG. SPEC. PER ECR # U31149 08/19/93 REED
C	REVISED PER ECR# U82220 11-07-88 MJM/MGB
B	REDRAWN ON CAD PER E.C.M. #9509 11/10/86 WJF/MJM

MFG.	SH.	REV.	LTR.	REVISIONS
------	-----	------	------	-----------

DIMENSIONS SHOWN (METRIC) INCH		▽ = 0		▼ = 0		REVISE ONLY ON CAD SYSTEM	
UNLESS OTHERWISE SPECIFIED TOLERANCES: ANGULAR ± 1/2°							
		INCH		METRIC			
3 PLACE	± .010	---					
2 PLACE	± .015	± 0.25					
1 PLACE	---	± 0.35					
DRAFT WHERE APPLICABLE MUST REMAIN WITHIN DIMENSIONS							
DRWG. BY: WJF		CHK'D. BY: MJM		FILE NAME: S70021X24 DGN		THIS DRAWING CONTAINS INFORMATION THAT IS PROPRIETARY TO MOLEX INC. AND SHOULD NOT BE USED WITHOUT WRITTEN PERMISSION.	
APP'D. BY: WAZ		SCALE: 10:1		PART NO. 16-02-0115		DRWG. NO. SD-70021-0223	
MOLEX INCORPORATED		LISLE, ILL. 60532 U.S.A.		SHEET NO. 1		DATE 10/30/86	
TITLE: TERMINAL, MALE CRIMP		DIV. DA		SIZE B			