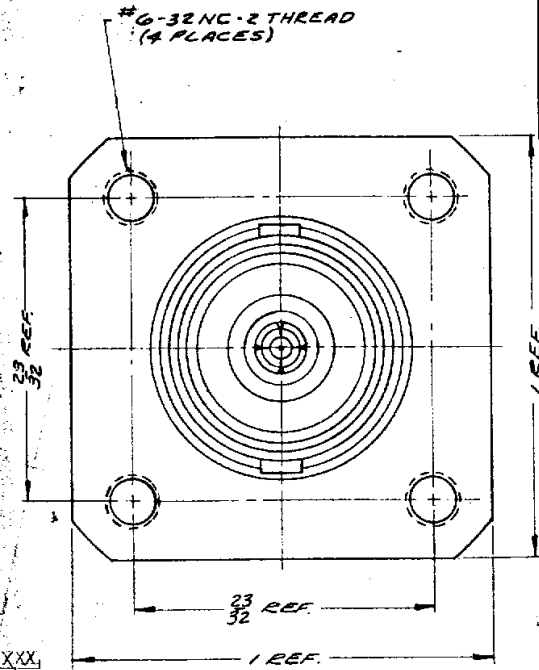


STAMP:  
91836 M39012/08-0001 KD-19-72 XXXX

NOTES:  
1. FOR USE WITH RG-8, 9, 213 & 214/U CABLE GROUPS.

DATE CODE



1000-8071067

REVISIONS	
ISSUE	CHANGES
0	EE 5939 1 MAY 68 H.F.E.
1	CN P300A WLA 8 FEB 71
2	CN 13699A W.D. 6 AUG 74
3	CN 15413 A JL 23 FEB 76
4	CN 23168 E G.J.G. 24 MAR 82
5	CN 32263 A LNM 7 JUN 90

KD-19-72

REF:

SUPERSEDES UG-571A/U

FINISH

SPEC.

MATL.

APPC.

PANEL JACK

DRAWN H.F.E. DATE 1 MAY 68

APPR. LI DATE 1 MAY 68

KINGS ELECTRONICS  
40 MARBLEDALE ROAD  
TUCKAHOE, N. Y. 10707

M39012/08-0001

9	1	CABLING INSTRUCTIONS	573C-1-M88
8	1	BODY	
7	1	C CONTACT F	1-732-7M9D
6	1	INSULATOR	E-2452-M99
5	1	WASHER	571-5-MCT
4	1	BRAID CLAMP	571-4-MCT
3	1	GASKET	571-3-M99
2	1	WASHER	140C-1-MCT
1	1	CLAMP NUT	571-1-MCT
ITEM	REQ'D	DESCRIPTION	DRAWING NO.

UNLESS OTHERWISE SPECIFIED:  
 1. TOLERANCES: FRACTIONS ± .010 DECIMALS ± .004 ANGLES ± 0° 30'  
 T. I. R. CONCENTRICITY OF ANY 2 DIAMETERS MAY NOT EXCEED THE SUM OF THEIR TOLERANCES.  
 2. REMOVE ALL BURRS, BREAK SHARP EDGES .005 MAX.  
 3. NO FILLETS PERMITTED.  
 4. SURFACE ROUGHNESS 63 MICROINCHES RMS MAX.  
 5. ALL DIMENSIONS PRIOR TO PLATING.

S-D