

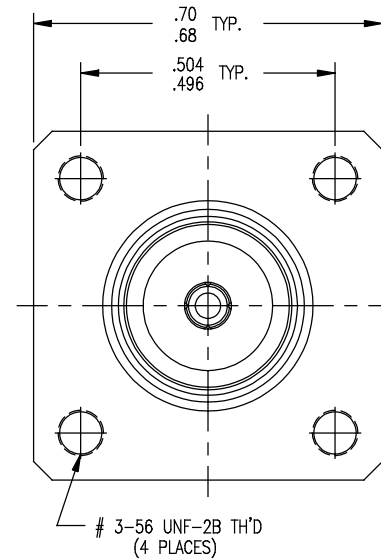
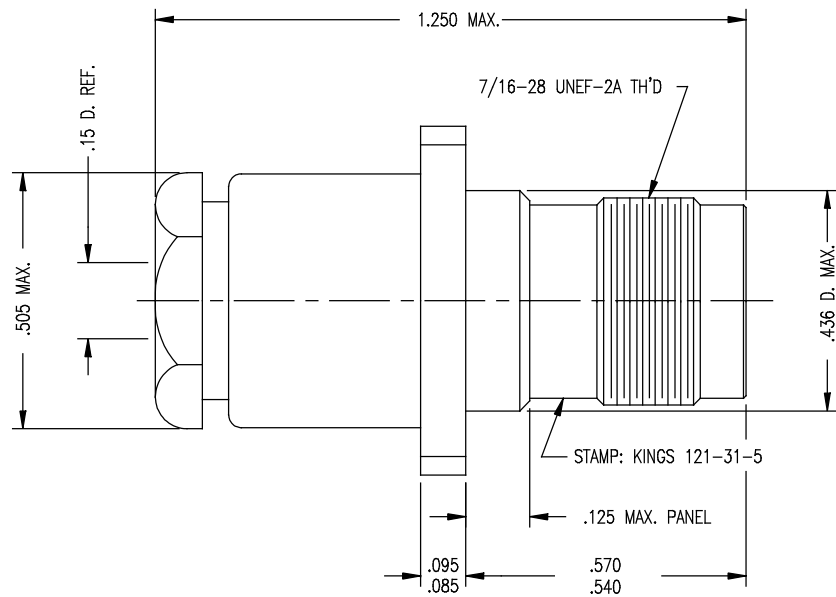
DASH NO.	M CODE	MADE FROM
----------	--------	-----------

GSD

121-31-5

REVISIONS	
ISSUE	CHANGES

0	ER 32524 KH 09/21/90
---	-------------------------



NOTES:

- FOR USE WITH RG-402/U (.141 D. SEMI-RIGID) CABLE.
- FOR CABLING INSTRUCTIONS SEE 3-479
- MATERIALS:
INSULATORS: TEFLON, ASTM-D-1457
GASKET: SIL. RUB., ZZ-R-765
CENTER CONTACT: BER. COP., ASTM-B-196
ALL OTHER PARTS: BRASS, QQ-B-626
- FINISHES:
CENTER CONTACT: HARD GOLD PLT. PER MIL-G-45204
ALL OTHER METAL PARTS: SILVER PLT. PER QQ-S-365
- ELECTRICAL CHARACTERISTICS:
NOMINAL IMPEDANCE: 50 OHMS
VOLTAGE RATING: 500 VRMS
FREQUENCY RANGE: DC TO 11 GHz
- INTERFACE PER MIL-STD-348, FIG. 313-2.

SCALE	4:1
-------	-----

APPROX SURFACE AREA	
---------------------	--

WAS: E-16461

USED ON	
---------	--

REF: COLLINS DWG. 261-0089-010 A

TNC PANEL JACK

DRAWN	KH	DATE	09/21/90
-------	----	------	----------

DESIGN	JT	DATE	09/25/90
--------	----	------	----------

APPR.	VLS	DATE	09/28/90
-------	-----	------	----------

KINGS
ELECTRONICS CO., INC.
TUCKAHOE, NEW YORK 10707

GSD

121-31-5