

**PLEASE CHECK WWW.MOLEX.COM FOR LATEST PART INFORMATION**

**Part Number:** [0537280219](#)  
**Status:** **Active**  
**Description:** 6.50mm (.256") Header, Vertical, with Peg, Lead-free, 2 Circuits

**Documents:**

[3D Model](#) [Product Specification PS-51142-003 \(PDF\)](#)  
[Drawing \(PDF\)](#) [RoHS Certificate of Compliance \(PDF\)](#)

**Agency Certification**

CSA	LR19980
TUV	R72081037
UL	E29179

**General**

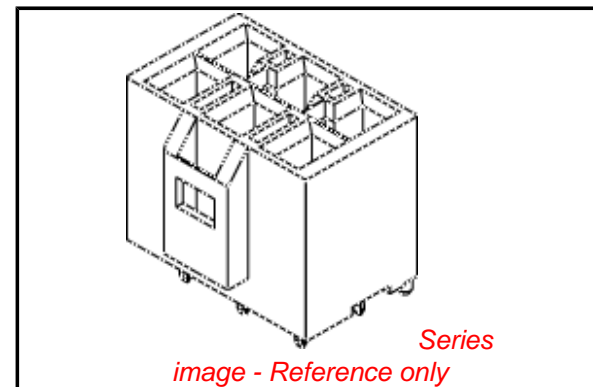
Product Family	PCB Headers
Series	<a href="#">53728</a>
Application	Wire-to-Board
Product Name	N/A

**Physical**

Breakaway	No
Circuits (Loaded)	2
Circuits (maximum)	2
Durability (mating cycles max)	30
First Mate / Last Break	No
Flammability	94V-0
Glow-Wire Compliant	No
Guide to Mating Part	No
Keying to Mating Part	None
Lock to Mating Part	Yes
Material - Metal	Phosphor Bronze
Material - Plating Mating	Tin
Material - Plating Termination	Tin
Number of Rows	2
Orientation	Vertical
PC Tail Length (in)	0.150 In
PC Tail Length (mm)	3.80 mm
PCB Locator	Yes
PCB Retention	None
PCB Thickness Recommended (in)	0.062 In
PCB Thickness Recommended (mm)	1.60 mm
Packaging Type	Bag
Pitch - Mating Interface (in)	0.256 In
Pitch - Mating Interface (mm)	6.50 mm
Plating min: Mating (µin)	40
Plating min: Mating (µm)	1
Plating min: Termination (µin)	40
Plating min: Termination (µm)	1
Polarized to PCB	Yes
Shrouded	Fully
Stackable	No
Temperature Range - Operating	-40°C to +105°C
Termination Interface: Style	Through Hole

**Electrical**

Current - Maximum per Contact	10A
-------------------------------	-----



**EU RoHS**

**ELV and RoHS Compliant**  
**REACH SVHC**  
 Not Reviewed  
**Halogen-Free Status**  
 Not Reviewed

**China RoHS**



**Need more information on product environmental compliance?**

Email [productcompliance@molex.com](mailto:productcompliance@molex.com)  
 For a multiple part number RoHS Certificate of Compliance, [click here](#)

Please visit the [Contact Us](#) section for any non-product compliance questions.

**Search Parts in this Series**

[53728Series](#)

**Mates With**

[51142 Wire-to-Board Receptacle Housing](#)

Voltage - Maximum

600V

**Material Info**

**Reference - Drawing Numbers**

Application Specification

AS-53728-001

Packaging Specification

SPK-53728-009

Product Specification

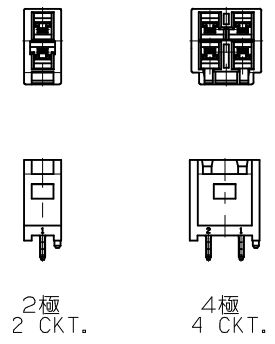
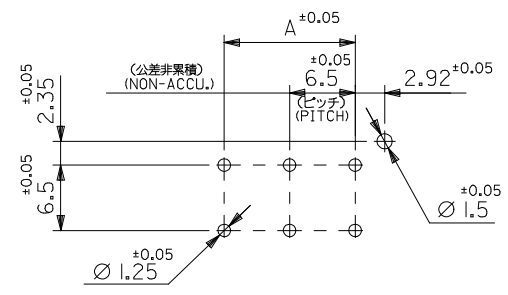
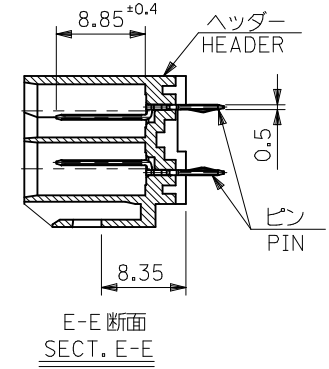
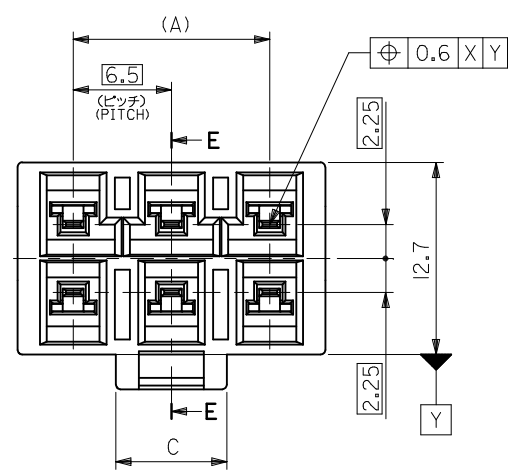
PS-51142-003, RPS-51142-007, RPS-51142-008

Sales Drawing

SD-53728-008

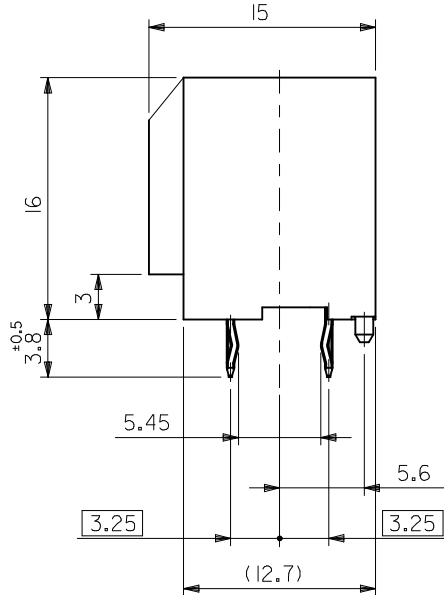
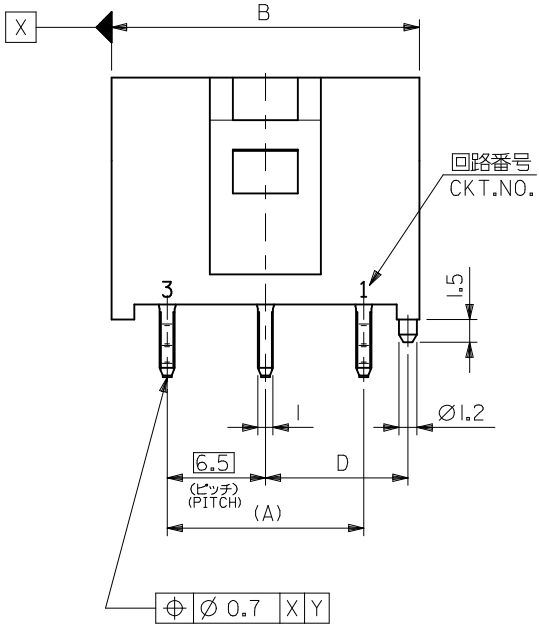
This document was generated on 05/27/2010

**PLEASE CHECK [WWW.MOLEX.COM](http://WWW.MOLEX.COM) FOR LATEST PART INFORMATION**



ロック形状図  
LOCK CONFIGURATION

基板取り付け穴推奨寸法 (マウント面)  
(基板厚: t1.6mm)  
RECOMMENDED P.C. BOARD HOLE  
DIM. (MOUNTING SIDE)  
(THK.: t1.6mm)



注記  
NOTES

1. 嵌合相手: 51142シリーズ  
MATE WITH: 51142 SERIES
2. 材質 MATERIAL  
ピン: 銅合金, ニッケル下地鍍メッキ (t0.5)  
PIN: COPPER ALLOY, TIN OVER NICKEL PLATED (t0.5)  
ヘッダー: 66NYLON (ガラス入: 25%), UL94V-0  
HEADER: 66NYLON(G.F.: 25%), UL94V-0
3. 6極のキングは、両端の4ピンに付加。  
KINK FOR 6 CKT. TO BE APPLIED ON 4 PIN OF BOTH SIDES.
4. 53728-\*\*-19は、53728-\*\*-10の鉛フリー品である。  
53728-\*\*-19 IS LEAD FREE TYPE OF 53728-\*\*-10.  
53728-\*\*-6\*は、53728-\*\*-1\*の鉛フリー品である。  
53728-\*\*-6\* IS LEAD FREE TYPE OF 53728-\*\*-1\*.

5. 製品型番の下一桁は色を表します。  
LAST DIGIT OF PART NUMBER INDICATES COLOR.

- WHITE : 53728-\*\*-19
- BLACK : 53728-\*\*-61
- RED : 53728-\*\*-62
- YELLOW : 53728-\*\*-63
- BLUE : 53728-\*\*-64

9.42	7.34	20.34	13	53728-0664	53728-0663	53728-0662	53728-0661	53728-0619	6
6.17	10.74	13.84	6.5	53728-0464	53728-0463	53728-0462	53728-0461	53728-0419	4
2.92	7.34	7.34	—	53728-0264	53728-0263	53728-0262	53728-0261	53728-0219	2
D	C	B	A	53728-**-64 COLOR: BLUE	53728-**-63 COLOR: YELLOW	53728-**-62 COLOR: RED	53728-**-61 COLOR: BLACK	53728-**-19 COLOR: WHITE	種数 CKT.

REVISED EC NO.: J2009-0175 DRWN: MAKURAA 2008/08/01 CHKD: T. HARUYAMA 2008/08/01 APPR: NUKITA 2008/12/19	GENERAL TOLERANCES (UNLESS SPECIFIED)		DIMENSION STYLE MM ONLY		SCALE ---	DESIGN UNITS METRIC	THIRD ANGLE PROJECTION	
	10 UNDER	±0.2	DRAWN BY M. NABEI	DATE '04/3/26	TITLE 6.5 W/B CONN HEADER ASSY (WITH BOSS WITH KINK) -LEAD FREE- MOLEX INCORPORATED			
	10 OVER 30 UNDER	±0.25	CHECKED BY K. TOJO	DATE '04/3/26				
	30 OVER	±0.3	APPROVED BY M. SASAO	DATE '04/3/26	DOCUMENT NO. SD-53728-008	SHEET NO. 1 OF 1		
ANGULAR	±---°	MATERIAL NO. SEE TABLE		THIS DRAWING CONTAINS INFORMATION THAT IS PROPRIETARY TO MOLEX INCORPORATED AND SHOULD NOT BE USED WITHOUT WRITTEN PERMISSION				
DRAFT WHERE APPLICABLE MUST REMAIN WITHIN DIMENSIONS								