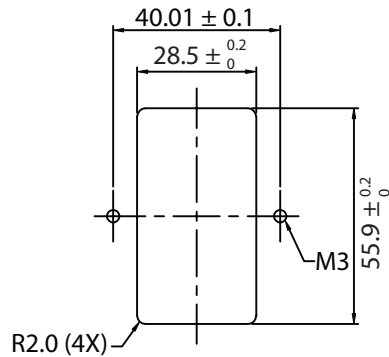
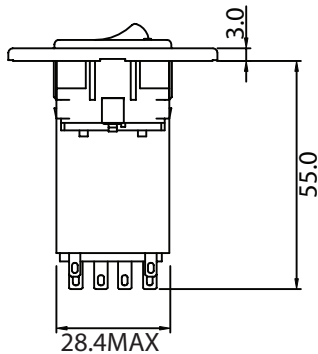
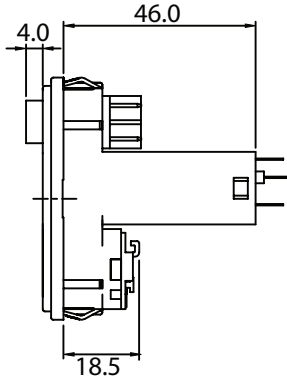
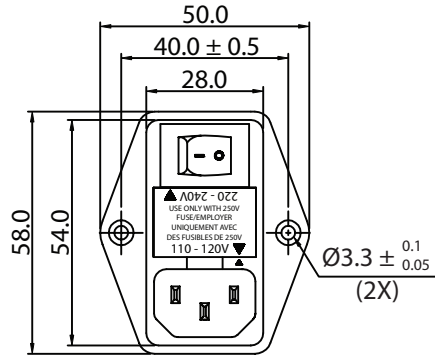


THESE DRAWINGS ARE THE PROPERTY OF QUALTEK ELECTRONICS AND NOT TO BE REPRODUCED FOR OR COMMUNICATED TO A THIRD PARTY WITHOUT THE EXPRESS WRITTEN PERMISSION OF AN OFFICER OF QUALTEK ELECTRONICS.

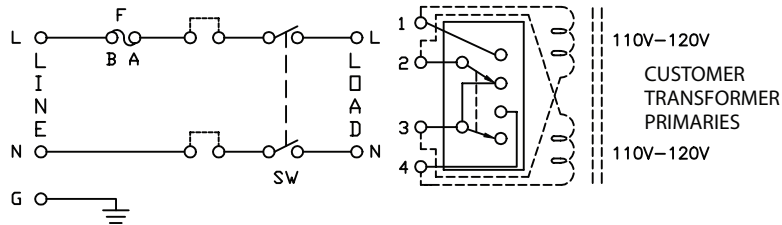
REVISION			
REV.	DESCRIPTION	DATE	APPROVED
B	RoHS Compliancy	06-01-06	DP
C	Approval Update	06-18-08	LY

PHYSICAL DIMENSIONS:



SUGGESTED MOUNTING CUTOUT (MOUNTING FROM FRONT)

ELECTRICAL SCHEMATIC:



ELECTRICAL CHARACTERISTICS:

- 1-1. VOLTAGE RATING.....250VAC
- 1-2. CURRENT RATING
  - A. @ 250 VAC (UL, CSA).....10 A RMS MAX
  - B. @ 250 VAC (SEMKO).....6.3 A RMS MAX
- 1-3. HIPOT RATING (FOR ONE MINUTE)
  - A. LINE TO GROUND.....2000 VAC
  - B. LINE TO LINE.....2000 VAC
- 1-4. MINIMUM INSERTION RESISTANCE (FOR ONE MINUTE @ 500VDC)
  - A. LINE TO GROUND.....10M OHM
  - B. LINE TO LINE.....10M OHM
- 1-5. SAFETY
- 1-6. RoHS COMPLIANT

**CONTROLLED**

Dim range (mm)	Tolerance +/- (mm)	Qualtek Electronics Corp. PPC DIVISION		
		Part Number: 765-00/001		
0-1	0.15	Description: MULTI-FUNCTION MODULE		
1-6	0.20			
6-18	0.30		UNIT: mm	REV. C
18-50	0.50			
50-120	0.70	Drawn / Date	Checked / Date	Approved / Date
120-250	0.90	B.ZHANG 01-18-05	01-18-05	JJH / 01-18-05
250-500	1.20			