

Features

- Low cost
- 105°C output capacitor
- AC Input range selected by switch
- High efficiency, low working temperature
- Soft-start circuit, limiting AC surge current
- Short circuit, overload, over-voltage protected
- Compact size, light weight
- 100% full load burn-in test
- Built in EMI filter, low ripple noise
- Din rail mountable

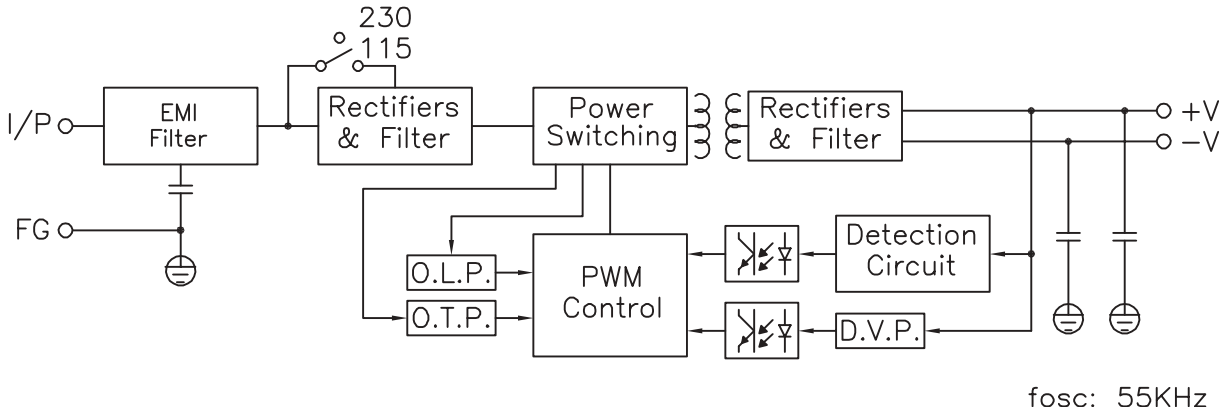


DC output voltage	48V
Output V. tolerance	±1%
Output rated current	2.5A
Output current range	0-2.5A
Ripple & noise	100mVp-p
Line regulation	±0.5%
Load regulation	±1%
DC output power	120W
Efficiency	85%
DC voltage adj.	48-53V
Input voltage range	88~132VAC/176~264VAC selected by switch, 47~63Hz; or 254~370VDC
AC current	2.8A/115V 1.7A/230V
Inrush current	cold start 30A/115V 60A/230V
Leakage current	<3.5mA/240VAC
Overload protection	105%~150% type: constant current limiting, auto recovery
Over voltage protection	58~65V
Over temp. protection	90 °C ± 5°C type: shutdown and auto-restart
Temperature coefficient	±0.03% / °C (0~50°C)
Set up, rise, hold up time	500ms;70ms; 30ms/230V,115V
Vibration	10~500Hz, 2G 10min./1cycle (1 hour each axes)
Withstand voltage	I/P-O/P: 3KVAC, I/P-FG: 1.5KVAC, O/P-FG: 0.5KVAC, for 1 min.
Isolation resistance	I/P-O/P, I/P-FG, O/P-FG: 500VDC / 100M Ohms min.
Working temp., humidity	-10°C~+60% (refer to output derating curve), 20%-90% RH
Storage temp., humidity	-20°C~+85°C, 10%~95% RH
Dimensions	2.58x4.93x3.94 inches (65.5x125.2x100mm)
Weight	1.76 lbs (0.8Kgs)
Safety standards	TUV EN60950, UL508
EMC standards	EN55022 CLASS B, EN61000-4-2,3,4,5,6,8,11; ENV50204, EN61000-3-2,-3

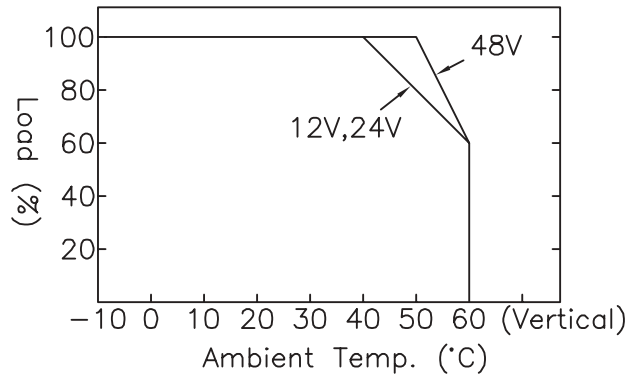
- Notes:
1. All parameters are specified at 230VAC input, rated load, 25°C 70% ambient
 2. Tolerance includes set up tolerance, line regulation, load regulation
 3. Ripple & noise are measured at 20MHz by using a 12" twisted pair terminated with a 0.1uF & 47 uF capacitor
 4. Line regulation is measured from low line to high line at rated load
 5. Load regulation is measure from 0% to 100% rated load

*V-Infinity reserves the right to make changes to its products or to discontinue any product or service without notice, and to advise customers to verify the most up-to-date product information before placing orders. V-Infinity assumes no liability or responsibility for customer's applications using V-Infinity products other than repair or replacing (at V-I's option) V-Infinity products not meeting V-I's published specifications. Nothing will be covered outside of standard product warranty.

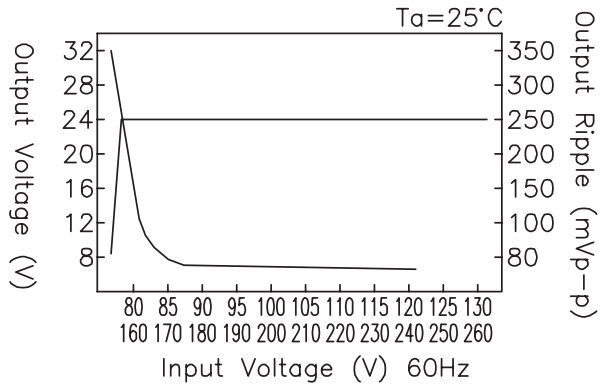
Block Diagram



Output Derating



Static Characteristics



Dimensions (mm)

Case: 921
 Terminal Pin No. Assignment
 TB1: AC Input
 Pin 1: Ground
 Pin 2: AC/N
 Pin 3: AC/L
 TB2: DC Output
 Pin 1: +V
 Pin 2: +V
 Pin 3: -V
 Pin 4: -V

