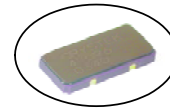


CSX4 Model

11.6X5.5 mm Ceramic SMD Crystal



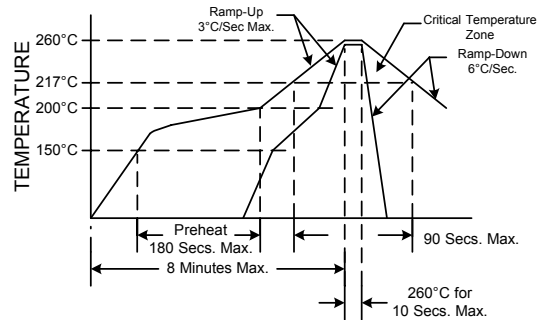
Quartz Crystal



Frequency Range:	3.5MHz to 30MHz
Calibration Tolerance:	±30ppm to ±100ppm
Frequency Stability:	±30ppm to ±100ppm
Temperature Range:	-40°C to 85°C
Storage:	-45°C to 125°C
Shunt Capacitance:	7.0pF Max
Drive Level:	100uW Typical, 300uW Max
Aging:	±5ppm Max 1st/yr
ESR:	3.5~4.0MHz= 200 Ohms Max 4.1~6.0MHz= 150 Ohms Max 6.1~10.0MHz= 100 Ohms Max 10.1~14.0MHz= 80 Ohms Max 14.1~30.0MHz= 50 Ohms Max

Packaging: 2K Tape and Reel

RECOMMENDED REFLOW SOLDERING PROFILE

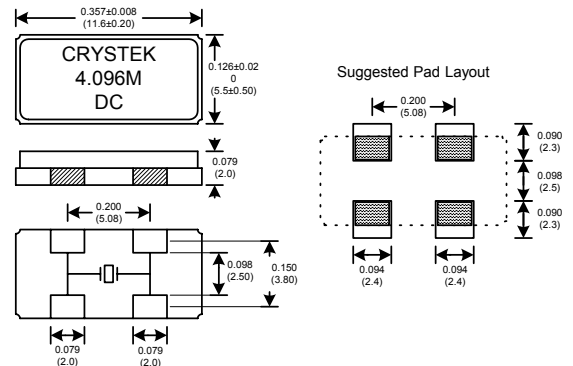


Environmental:

Gross Leak Test:	MIL-STD-883, Method 1014.10, Condition C
Fine Leak Test:	MIL-STD-883, Method 1014.10, Condition A2
Thermal Shock:	MIL-STD-883, Method 1011.9, Condition A
Moisture Resistance:	MIL-STD-883, Method 1004.7

Mechanical:

Shock:	±5ppm max after 3 drops from 75cm onto hard wood board
Solderability:	MIL-STD-883, Method 2003.7
Vibration:	±5ppm max sine vibration 10-55Hz, sweep period 1-2 minutes, amplitude 1.5mm, 3 mutually perpendicular planes each 1 hour
Solvent Resistance:	MIL-STD-202, Method 215
Resistance to Soldering Heat:	MIL-STD-202, Method 210, Condition I or J



Dimensions inches (mm)
All dimensions are Max unless otherwise specified.

Build Your Own P/N

CSX4-XX-XX-Freq

Frequency Tolerance at 25°C
A ±30 ppm
B ±50 ppm

Frequency Stability over Temp Range
A ±30 ppm (-10 to 60°C) <6MHz Only
B ±50 ppm (-10 to 60°C)
C ±100 ppm (-10 to 60°C)
D ±50 ppm (-20 to 70°C) <8MHz Only
E ±100 ppm (-20 to 70°C)
G ±100 ppm (-40 to 85°C)

Load Capacitance
S= Series
10= 10pF
14= 14 pF
16= 16 pF
18= 18 pF
20= 20 pF
22= 22 pF
25= 25 pF
32= 32 pF

Example:

CSX4-AB-18-19.680 = ±30ppm at 25°C, ±50ppm -10 to 60°C, Fundamental, 18pF Load Cap, 19.680MHz

Specifications subject to change without notice.

TD-060801 Rev. C

