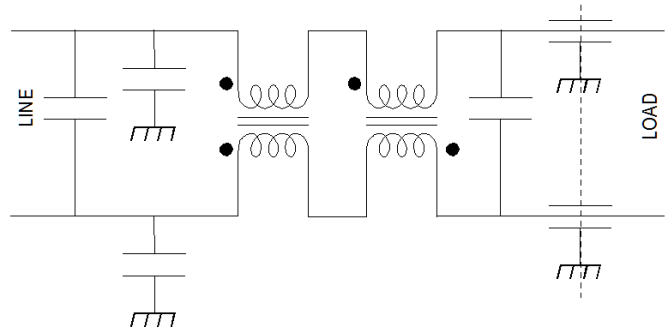


The ZF-2307-20 filter is designed to work with systems having requirements to meet Mil-Std-461D, E or F. The filter is designed so that there are no resonant points in the operating range.

The common mode insertion loss is also a minimum 60 dB from 200Khz to 1.0Ghz. This performance is needed in order to suppress high frequency signals on the power leads that can cause problems with radiated emissions.

The filter is shown with 12.5 inch leads but lead length can be easily customized.

The connector is shown with sockets but it is also available with pins.



Operating voltage = 28—40 Vdc  
 Operating current = 20 Amp  
 Operating temperature = (-55)—85C  
 Diel. withstanding (line - case) = 800 Vdc (1.0 Minute)

Order P/N: ZF-2107-20

