

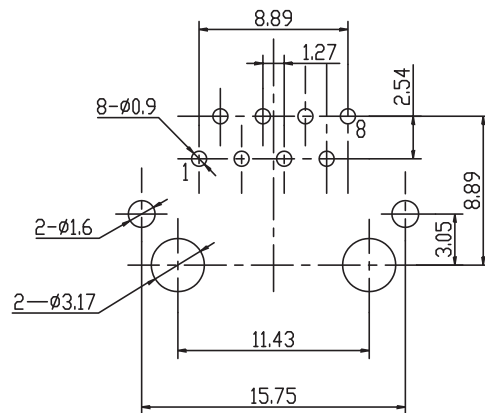
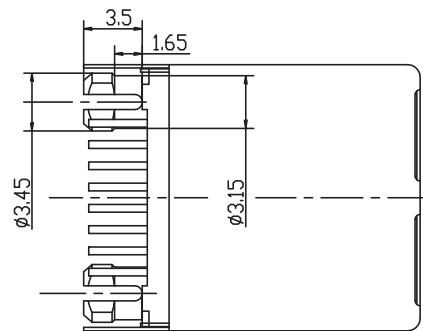
1

2

3

4

5



PCB LAYOUT - COMPONENT VIEW

## TECHNICAL CHARACTERISTICS

## MATERIAL

INSULATOR MATERIAL: PBT  
 FLAMMABILITY RATING UL94-V0  
 COLOR: BLACK  
 CONTACT MATERIAL: COPPER ALLOY  
 CONTACT TYPE: STAMPED  
 CONTACT PLATING: SELECTIVE GOLD  
 SHIELDING: BRONZE NI PLATED  
 QUALITY CLASS: 500 MATING CYCLES

## ENVIRONMENTAL

OPERATING TEMPERATURE: -40 °C UP TO 85 °C  
 COMPLIANCE: LEAD FREE AND ROHS

## ELECTRICAL

CURRENT RATING: 1.5 A  
 WORKING VOLTAGE: 120 VAC  
 INSULATION RESISTANCE: >500 MΩ  
 DIELECTRIC WITHSTANDING VOLTAGE: 1 000 VAC/MIN  
 CONTACT RESISTANCE: 20 mΩ MAX

## STANDARD

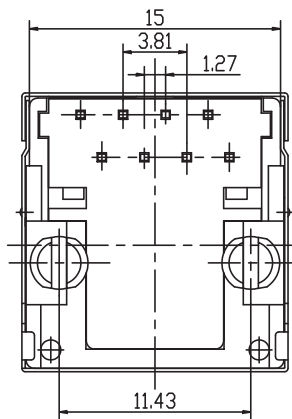
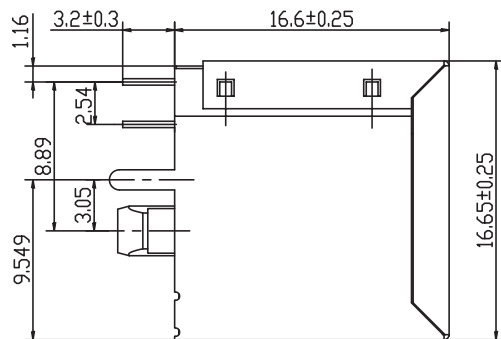
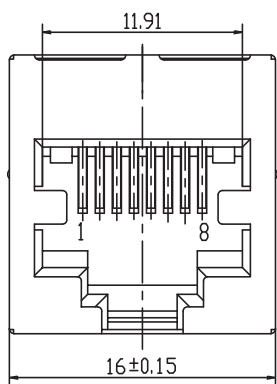
CERTIFIED: E324776

## SOLDERING

JEDEC LEAD FREE WAVE SOLDERING PROCESS

## PACKAGING

TRAY



RoHS Compliant

REV	DATE	FILE	BY
G			
F	03-JAN-14	UL & TEMP UPDATE	QL
E	20-AUG-13	DIM UPDATE	QL
D	19-FEB-11	PLATING	GG
C	07-OCT-09	UL STANDARD	JP
B	06-OCT-09	CHARACTERISTIC	JP
A	03-FEB-07	PDF	CH
REV	DATE	FILE	BY

PROJECTION:



APPROVAL: RJ

GENERAL TOLERANCE

.X = +/- 0.2

.XX = +/- 0.15



DESCRIPTION: VERTICAL SHIELDED 8P8C REAR POST MODULAR JACK

WERI PART NO: 615 008 140 421

SIZE

A4

A

B

C

D