

# PSR-MS30 / PSR-MS35



## Safety relay for emergency stop and safety door monitoring

Data sheet  
106168\_en\_02

© PHOENIX CONTACT 2016-10-28

### 1 Description

#### Intended Use

The safety relays are used to monitor single or two-channel signal generators and to control actuators.

When the sensor circuit is interrupted, the safety relays initiate the safe state.

The safety relays interrupt circuits in a safety-related way.

#### Possible signal generators

- Emergency stop button
- Door locking mechanisms

#### Contact type

- 1 undelayed enabling current path

The enabling current path drops out without delay according to stop category 0 (EN 60204-1).

#### Control

- Single or two channel
- Automatic start (PSR-MS30 only)
- Manual, monitored start (PSR-MS35 only)

#### Achievable safety integrity

- Suitable up to category 4, PL e (EN ISO 13849-1), SILCL 3 (EN 62061)

#### Additional features

- Cross circuiting detection
- Fixed screw connection
- 6.8 mm housing width

#### Approvals



#### **WARNING: Risk of electric shock**

Observe the safety regulations and installation notes in the corresponding section.



Make sure you always use the latest documentation.

It can be downloaded from the product at [phoenixcontact.net/products](http://phoenixcontact.net/products).



This document is valid for the products listed in the "Ordering data".

This document meets the same requirements as the original operating instructions with respect to the contents.

---

<b>2</b>	<b>Table of contents</b>	
1	Description .....	1
2	Table of contents .....	2
3	Ordering data .....	3
4	Technical data .....	3
5	Safety regulations and installation notes.....	7
6	Function description .....	9
7	Function and time diagrams .....	9
8	Basic circuit diagram .....	10
9	Derating.....	10
10	Load curve.....	10
11	Operating and indication elements .....	11
12	Mounting and removing .....	12
13	Wiring .....	12
14	Startup.....	13
15	Calculating the power dissipation .....	13
16	Diagnostics.....	14
17	Application examples .....	16
18	Attachment .....	19

### 3 Ordering data

Description	Type	Order No.	Pcs./Pkt.
Safety relay for emergency stop and safety doors up to SILCL 3, Cat. 4, PL e, 1 or 2-channel operation, automatic start, cross-circuit detection, 1 enabling current path, $U_S = 24$ V DC, fixed screw terminal block	PSR-MS30-1NO-24DC-SC	2904952	1
Safety relay for emergency stop and safety doors up to SILCL 3, Cat. 4, PL e, 1 or 2-channel operation, manual, monitored start, cross-circuit detection, 1 enabling current path, $U_S = 24$ V DC, fixed screw terminal block	PSR-MS35-1NO-24DC-SC	2904953	1


### 4 Technical data

Hardware/firmware version	
HW/FW	≥ 00/--
The technical data and safety characteristics are valid as of the specified HW/FW version.	
Input data	
Rated control circuit supply voltage $U_S$	24 V DC -15 % / +10 %
Rated control supply current $I_S$	typ. 42 mA
Input voltage range "0" signal	0 V DC ... 5 V DC (for safe Off; at S12)
Input current range "0" signal	0 mA ... 2 mA (for safe Off; at S12)
Inrush current	4.5 A ( $\Delta t = 120 \mu s$ at $U_S$ ) < 20 mA (with $U_S/I_x$ to S12) < 10 mA (with $U_S/I_x$ at the start circuit) < 5 mA (with $U_S/I_x$ to S22) > -15 mA (with $U_S/I_x$ to S22/0V)
Current consumption	< 5 mA (with $U_S/I_x$ to S12) < 5 mA (with $U_S/I_x$ to S22) < 10 mA (with $U_S/I_x$ at the start circuit) > -5 mA (with $U_S/I_x$ to S22/0V)
Power consumption at $U_S$	typ. 1 W
Voltage at input/start and feedback circuit	24 V DC -15 % / +10 %
Filter time	1 ms (at A1 in the event of voltage dips at $U_S$ ) max. 1.5 ms (at S12, S22; test pulse width) min. 7.5 ms (at S12, S22; test pulse rate) Test pulse rate = 5 x Test pulse width
Max. permissible overall conductor resistance (Input and reset circuit at $U_S$ )	150 $\Omega$
Typical response time at $U_S$	< 175 ms
Typical starting time with $U_S$	< 250 ms (when controlled via A1)
Typical release time with $U_S$	< 20 ms (when controlled via A1 or S12 and S22.)
Recovery time	< 500 ms
Maximum switching frequency	0.5 Hz

Input data	
Operating voltage display	1 x green LED
Status display	2 x green LEDs
Protective circuit	Surge protection Suppressor diode Protection against polarity reversal for rated control circuit supply voltage
Output data	
Contact type	1 enabling current path
Contact material	AgSnO <sub>2</sub>
Minimum switching voltage	12 V AC/DC
Maximum switching voltage	250 V AC/DC (Observe the load curve)
Limiting continuous current	6 A (observe derating)
Maximum inrush current	6 A
Inrush current, minimum	3 mA
Sq. Total current $I_{TH}^2 = I_1^2 + I_2^2 + \dots + I_N^2$	36 A <sup>2</sup> (observe derating)
Switching capacity	min. 60 mW
Mechanical service life	10 x 10 <sup>6</sup> cycles
Output fuse	6 A gL/gG (N/O contact) 4 A gL/gG (for low-demand applications)
General data	
Relay type	Electromechanical relay with forcibly guided contacts in accordance with IEC/EN 61810-3 (EN 50205)
Nominal operating mode	100% operating factor
Degree of protection	IP20
Min. degree of protection of inst. location	IP54
Mounting type	DIN rail mounting
Mounting position	vertical or horizontal
Assembly instructions	See derating curve
Dimensions (W/H/D)	6.8 x 93.1 x 102.5 mm
Type of housing	PBT yellow
Air clearances and creepage distances between the power circuits	according to DIN EN 50178
Rated insulation voltage	250 V AC
Rated surge voltage/insulation	Safe isolation, reinforced insulation 6 kV between input circuit and enabling current path Basic insulation 4 kV between all current paths and housing
Degree of pollution	2
Overvoltage category	III

<b>Connection data</b>	
Connection method	Screw connection
Conductor cross section, solid	0.2 mm <sup>2</sup> ... 2.5 mm <sup>2</sup>
Conductor cross section, flexible	0.2 mm <sup>2</sup> ... 2.5 mm <sup>2</sup>
Conductor cross section AWG/kcmil	26 ... 12
Stripping length	12 mm
Screw thread	M3

<b>Ambient conditions</b>	
Ambient temperature (operation)	-40 °C ... 60 °C (observe derating)
Ambient temperature (storage/transport)	-40 °C ... 85 °C
Max. permissible relative humidity (operation)	75 % (on average, 85% infrequently, non-condensing)
Max. permissible humidity (storage/transport)	75 % (on average, 85% infrequently, non-condensing)
Maximum altitude	≤ 2000 m (Above sea level)
Information on operating height	See the "Using PSR devices at altitudes greater than 2000 m above sea level" section
Shock	15g
Vibration (operation)	10 Hz ... 150 Hz, 2g

<b>Conformance/Approvals</b>	
Conformance	CE-compliant
The full EC Declaration of Conformity can be downloaded for the product at <a href="http://phoenixcontact.net/products">phoenixcontact.net/products</a> .	
Approvals	

<b>Safety data</b>	
Stop category according to IEC 60204	0

<b>Safety parameters for IEC 61508 - High demand</b>	
SIL	3
PFH <sub>D</sub>	1.5 x 10 <sup>-9</sup> (4 A DC13; 5 A AC15; 8760 switching cycles/year)
Demand rate	< 12 Months
Proof test interval	240 Months
Duration of use	240 Months

<b>Safety parameters for IEC 61508 - Low demand</b>	
SIL	3
PF <sub>D</sub> <sub>avg</sub>	1.47 x 10 <sup>-4</sup>
Proof test interval	60 Months
Duration of use	240 Months

**Safety characteristic data according to EN ISO 13849**

Category	4
Performance level	e (4 A DC13; 5 A AC15; 8760 switching cycles/year)
Duration of use	240 Months

For applications in PL e, the required demand rate for the safety function is once per month.

**Safety parameters for EN 62061**

SILCL	3
-------	---

## 5 Safety regulations and installation notes



### WARNING: Death, serious personal injury or damage to equipment

Depending on the application, incorrect handling of the device may pose serious risks for the user or cause damage to equipment.

- Observe all the safety notes and warning instructions provided in this chapter and elsewhere in this document.

### General

- Observe the safety regulations of electrical engineering and industrial safety and liability associations.

Disregarding these safety regulations may result in death, serious personal injury or damage to equipment.



The device contains components that can be damaged or destroyed by electrostatic discharge.

- When handling the device, observe the necessary safety precautions against electrostatic discharge (ESD) according to EN 61340-5-1 and IEC 61340-5-1.

### Power supply units for 24 V supply

- Only use power supply units with safe isolation and SELV/PELV according to EN 50178/VDE 0160.
- Provide external protection for the 24 V area.
- Make sure that the power supply unit is able to supply **four times** the nominal current of the external fuse, to ensure that it trips in the event of an error.

### Startup, mounting, and modifications

Startup, mounting, modifications, and upgrades may only be carried out by an electrically skilled person.

- Before working on the device, disconnect the power.
- Carry out wiring according to the application. Refer to the "Application examples" section for this.

Reliable operation is only ensured if the device is installed in housing protected from dust and humidity.

- Install the device in housing protected from dust and humidity (min. IP54).

### In operation

During operation, parts of electrical switching devices carry hazardous voltages.

- Protective covers must not be removed when operating electrical switching devices.

For emergency stop applications, automatic startup of the machine can pose serious risks for the user.

- The machine must be prevented from restarting automatically by a higher-level controller.

With the manual, monitored reset device, a machine start may not be triggered in accordance with EN ISO 13849-1.

Inductive loads can lead to welded relay contacts.

- Connect a suitable and effective protective circuit to inductive loads.
- Implement the protective circuit parallel to the load and not parallel to the switch contact.

Magnetic fields can influence the device. The magnetic field strength of the environment must not exceed 30 A/m.

- Do not use the device in the vicinity of strong magnetic fields (e.g., caused by transformers or magnetic iron).

Noise emission may occur when operating relay modules.

Wireless reception may be disrupted in residential areas.

The device is a Class A product.

- Observe the requirements for noise emission for electrical and electronic equipment (EN 61000-6-4).
- Implement appropriate precautions against noise emission.

### **Faulty devices**

The devices may be damaged following an error. Correct operation can no longer be ensured.

- In the event of an error, replace the device.

Only the manufacturer or their authorized representative may perform the following activities. Otherwise the warranty is invalidated.

- Repairs to the device
- Opening the housing

### **Taking out of service and disposal**

- Dispose of the device in accordance with environmental regulations.
- Make sure that the device can never be reused.



## 6 Function description

### 6.1 Single-channel sensor circuit

The sensor circuit is not designed with redundancy.

The safety relay does not detect short and cross-circuits in the sensor circuit.

### 6.2 Two-channel sensor circuit

The sensor circuit is designed with redundancy.

With the corresponding wiring, the safety relay detects short and cross-circuits in the sensor circuit.

### 6.3 Automatic start

#### PSR-MS30 only

The device starts automatically after the sensor circuit has been closed.

### 6.4 Manual, monitored start

#### PSR-MS35 only

When the sensor circuit is closed, the device starts once the start circuit has been closed and opened again by pressing and releasing the reset button.

A connected reset button is monitored.

### 6.5 Safe shutdown

When the sensor circuit opens, the enabling current path opens without delay.

When the enabling current path is open, the device is in the safe state.

## 7 Function and time diagrams

### 7.1 Time diagram PSR-MS30

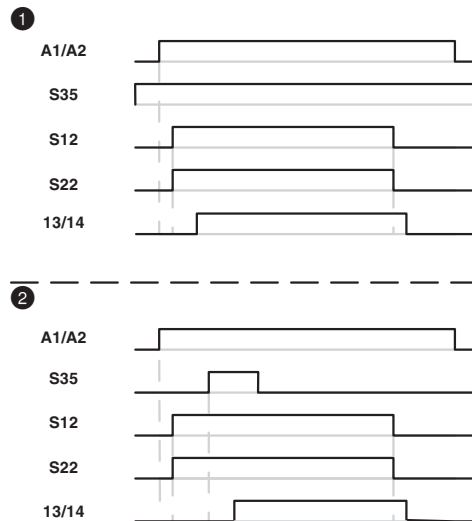


Figure 1 Time diagram PSR-MS30

### 7.2 Time diagram PSR-MS35



Figure 2 Time diagram PSR-MS35

#### Key:

- ① Automatic start
- ② Start via external signal at S35 which is not monitored
- A1/A2 Power supply
- S35 (PSR-MS30 only) Automatic start
- S34 (PSR-MS35 only) Manual, monitored start
- S12 Input sensor circuit (channel 1)
- S22 Input sensor circuit (channel 2)
- 13/14 Enabling current path, undelayed

## 8 Basic circuit diagram

### 8.1 Block diagram PSR-MS30

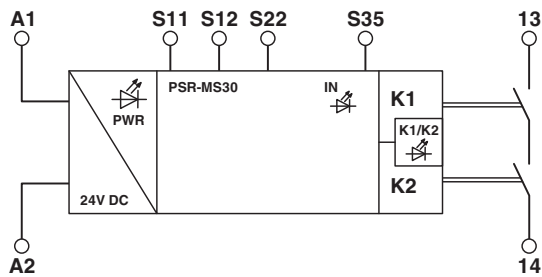


Figure 3 Block diagram PSR-MS30

### 8.2 Block diagram PSR-MS35

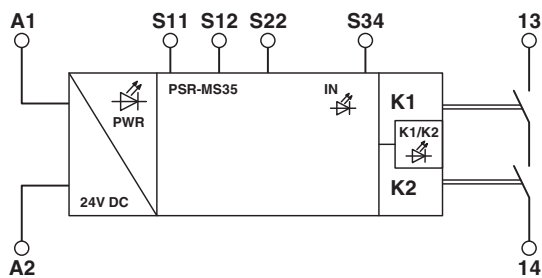


Figure 4 Block diagram PSR-MS35

#### Key:

<b>A1</b>	24 V DC power supply
<b>A2</b>	0 V power supply
<b>S11</b>	Output 24 V
<b>S12</b>	Input sensor circuit (channel 1)
<b>S22</b>	Input sensor circuit (channel 2)
<b>S35</b> (PSR-MS30 only)	Automatic start
<b>S34</b> (PSR-MS35 only)	Manual, monitored start
<b>13/14</b>	Enabling current path, undelayed

## 9 Derating

### 9.1 Vertical or horizontal mounting position

The derating curve applies for the following conditions:

- Mounting on a vertical or horizontal DIN rail
- Devices mounted next to each other without spacing

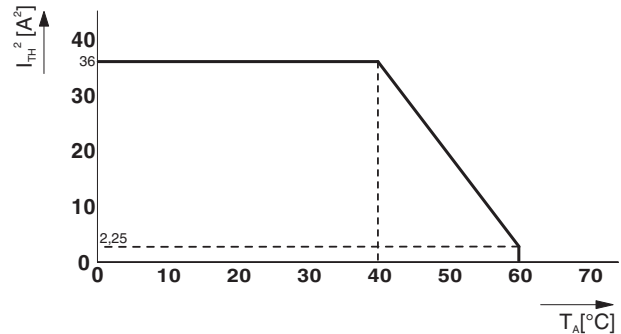


Figure 5 Derating curve - vertical or horizontal mounting position, without spacing

## 10 Load curve

### 10.1 Ohmic and inductive load

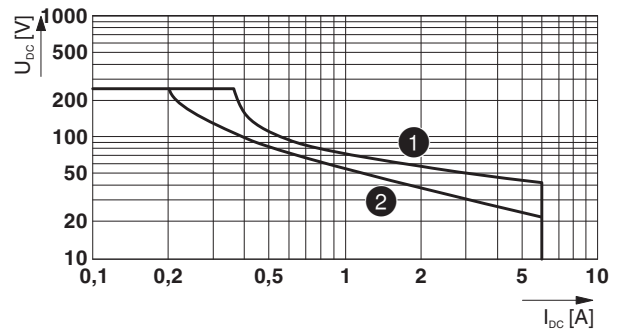


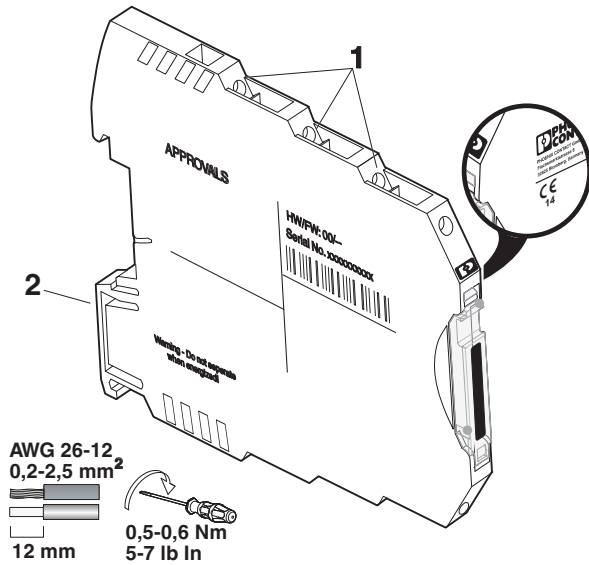
Figure 6 Relay load curve - ohmic and inductive load

#### Key:

- |   |                |             |
|---|----------------|-------------|
| ① | Ohmic load     | L/R = 0 ms  |
| ② | Inductive load | L/R = 40 ms |

## 11 Operating and indication elements

### 11.1 Connection versions



- 1 Fixed screw connection
- 2 Snap-on foot for DIN rail mounting



The year the device was constructed can be found underneath the CE designation on the housing.

Figure 7 Connection versions

### 11.2 Connection assignment

<table border="1" style="border-collapse: collapse; text-align: center;"> <tr><td>A</td><td>1</td></tr> <tr><td>A</td><td>2</td></tr> <tr><td>S</td><td>11</td></tr> <tr><td>S</td><td>12</td></tr> <tr><td colspan="2" style="text-align: center;">⊕</td></tr> <tr><td colspan="2" style="text-align: center;">PWR</td></tr> <tr><td colspan="2" style="text-align: center;">IN</td></tr> <tr><td colspan="2" style="text-align: center;">K1 K2</td></tr> <tr><td colspan="2" style="text-align: center;">MS 30</td></tr> <tr><td colspan="2" style="text-align: center;">⊕</td></tr> <tr><td>S</td><td>35</td></tr> <tr><td>1</td><td>4</td></tr> <tr><td>1</td><td>3</td></tr> <tr><td>S</td><td>22</td></tr> </table>	A	1	A	2	S	11	S	12	⊕		PWR		IN		K1 K2		MS 30		⊕		S	35	1	4	1	3	S	22	<table border="1" style="border-collapse: collapse; text-align: center;"> <tr><td>A</td><td>1</td></tr> <tr><td>A</td><td>2</td></tr> <tr><td>S</td><td>11</td></tr> <tr><td>S</td><td>12</td></tr> <tr><td colspan="2" style="text-align: center;">⊕</td></tr> <tr><td colspan="2" style="text-align: center;">PWR</td></tr> <tr><td colspan="2" style="text-align: center;">IN</td></tr> <tr><td colspan="2" style="text-align: center;">K1 K2</td></tr> <tr><td colspan="2" style="text-align: center;">MS 35</td></tr> <tr><td colspan="2" style="text-align: center;">⊕</td></tr> <tr><td>S</td><td>34</td></tr> <tr><td>1</td><td>4</td></tr> <tr><td>1</td><td>3</td></tr> <tr><td>S</td><td>22</td></tr> </table>	A	1	A	2	S	11	S	12	⊕		PWR		IN		K1 K2		MS 35		⊕		S	34	1	4	1	3	S	22	<p><b>A1</b> 24 V DC power supply</p> <p><b>A2</b> 0 V power supply</p> <p><b>S11</b> Output 24 V</p> <p><b>S12</b> Input sensor circuit (channel 1)</p> <p><b>PWR</b> Power LED (green)</p> <p><b>IN</b> Status indicator sensor circuit; LED (green)</p> <p><b>K1/K2</b> Status indicator safety circuit; LED (green)</p> <p><b>S35 (PSR-MS30 only)</b> Automatic start</p> <p><b>S34 (PSR-MS35 only)</b> Manual, monitored start</p> <p><b>13/14</b> Enabling current path, undelayed</p> <p><b>S22</b> Input sensor circuit (channel 2)</p>
A	1																																																									
A	2																																																									
S	11																																																									
S	12																																																									
⊕																																																										
PWR																																																										
IN																																																										
K1 K2																																																										
MS 30																																																										
⊕																																																										
S	35																																																									
1	4																																																									
1	3																																																									
S	22																																																									
A	1																																																									
A	2																																																									
S	11																																																									
S	12																																																									
⊕																																																										
PWR																																																										
IN																																																										
K1 K2																																																										
MS 35																																																										
⊕																																																										
S	34																																																									
1	4																																																									
1	3																																																									
S	22																																																									

## 12 Mounting and removing

- Mount the device on a 35 mm DIN rail according to EN 60715.
- To remove the device, use a screwdriver to release the snap-on foot.

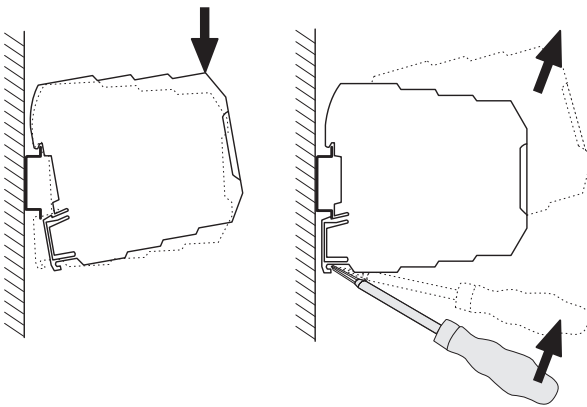


Figure 8 Mounting and removing

## 13 Wiring

- Connect the cables to the connection terminal blocks using a screwdriver.

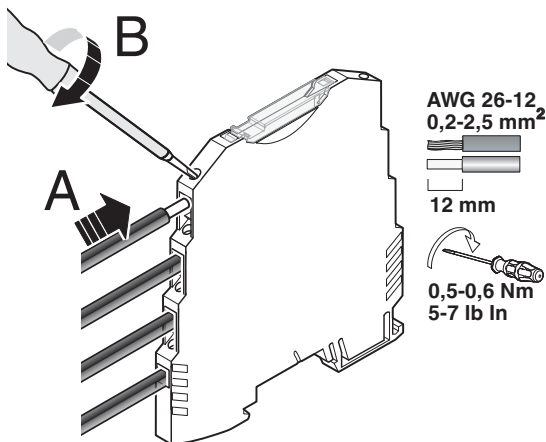


Figure 9 Connection of the cables

- i** It is recommended that ferrules are used to connect stranded cables.
- i** For compliance with UL approval, use copper wire that is approved up to 60°C/75°C.

### 13.1 Signal generator connection versions

- Connect suitable signal generators to S11/S12/S22.

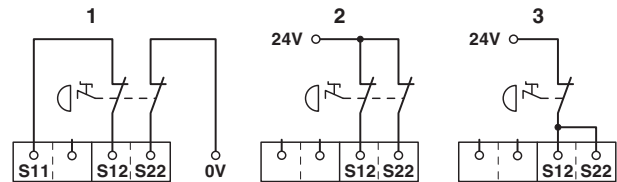


Figure 10 Signal generator connection versions

- 1 Two-channel connection with cross-circuit monitoring
- 2 Two-channel connection without cross-circuit monitoring
- 3 Single-channel connection

### 13.2 Start and feedback circuit connection variants

#### Automatic start (PSR-MS30 only)

- Bridge the contacts S11/S35.

#### Manual, monitored start (PSR-MS35 only)

- Connect a reset button to contacts S11/S34 an. A connected reset button is monitored.

#### Start and feedback circuit

- Place the relevant N/C contacts in path S11/S34 or S11/S35 to monitor external contactors or extension devices with force-guided contacts.

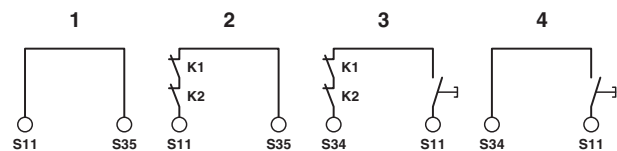


Figure 11 Start and feedback circuit connection variants

- 1 Automatic start
- 2 Automatic start with monitored contact extension
- 3 Manual, monitored start with monitored contact extension
- 4 Manual, monitored start

## 14 Startup

- Apply the rated control circuit supply voltage (24 V DC) at terminal blocks A1/A2.

The Power LED lights up.

- Close the sensor circuit at S11/S12/S22 as per the wiring.

The IN LED lights up.



Single or two-channel sensor circuit: see "Signal generator connection versions".

### Automatic start (PSR-MS30 only)

Enabling current path 13/14 closes.

The K1/K2 LED lights up.

### Manual, monitored start (PSR-MS35 only)

- Press the reset button.
- Release the reset button.

Enabling current path 13/14 closes.

The K1/K2 LED lights up.

## 15 Calculating the power dissipation



The total power dissipation of the safety relay is based on the input power dissipation and the contact power dissipation for the same and for different load currents.

### Input power dissipation

$$P_{\text{Input}} = U_B^2 / (U_S / I_S)$$

### Contact power dissipation

With the same load currents:

$$P_{\text{Contact}} = n \cdot I_L^2 \cdot 50 \text{ m}\Omega$$

With different load currents:

$$P_{\text{Contact}} = (I_{L1}^2 + I_{L2}^2 + \dots + I_{Ln}^2) \cdot 50 \text{ m}\Omega$$

### Total power dissipation

$$P_{\text{Total}} = P_{\text{Input}} + P_{\text{Contact}}$$

therefore

$$P_{\text{Total}} = U_B^2 / (U_S / I_S) + n \cdot I_L^2 \cdot 50 \text{ m}\Omega$$

or

$$P_{\text{Total}} = U_B^2 / (U_S / I_S) + (I_{L1}^2 + I_{L2}^2 + \dots + I_{Ln}^2) \cdot 50 \text{ m}\Omega$$

### Key:

<b>P</b>	Power dissipation in mW
<b>U<sub>B</sub></b>	Applied operating voltage
<b>U<sub>S</sub></b>	Rated control circuit supply voltage
<b>I<sub>S</sub></b>	Rated control supply current
<b>n</b>	Number of enabling current paths used
<b>I<sub>L</sub></b>	Contact load current

## 16 Diagnostics

The following section describes the LED indicators for general states and error messages as well as possible causes and remedies.

### Function test/proof test

To verify the device function, proceed as follows:

- Demand the safety function by actuating the corresponding safety equipment.
- Check whether the safety function was executed correctly by switching the device on again.

If the device does not switch on again, the proof test failed.



**WARNING: Loss of functional safety due to malfunction.**

If the proof test contains errors, the device no longer functions correctly.

- Replace the device.

### 16.1 General states

PWR LED	IN LED	K1/K2 LED	State	Notes
ON	OFF	OFF	All relays are not activated. The sensor circuit is off.	Possible error see error messages
ON	ON	OFF	The sensor circuit is active. Relays K1 and K2 are ready to start and await reset/start command (S34 or S35).	
ON	ON	ON	The sensor circuit is active. All relays are picked up.	-

## 16.2 Error Messages

PWR LED	IN LED	K1/K2 LED	State	Possible cause	Corrective
ON	OFF	OFF	The sensor circuit is actively controlled, but no input LEDs are lit up.	Internal cross-circuit detection is active: potential cross-circuit in the sensor circuit.	Switch off the operating voltage and rectify the cross-circuit. Then perform a function test.
ON	ON	OFF	The sensor circuit is active. The reset/start circuit (S34 or S35) is/was activated. The safety circuit (K1 and K2) is not picking up.	External error: the readback contact (external actuator) is open in the reset circuit. Internal error: 1. The diagnostic contact is not working correctly. 2. An N/O contact is welded.	External error: check the actuator. Internal error: perform a power down reset with subsequent function test. <b>If the error occurs again after the function test, replace the device.</b>
ON	ON	OFF	The sensor circuit is active. The reset/start circuit (S34 or S35) is/was activated. The safety circuit (K1 and K2) is not picking up.	Error in the sensor circuit.	Check the sensor circuit. Then perform a function test. <b>If the error occurs again after the function test, replace the device.</b>
ON	ON	OFF	The sensor circuit is active. The reset/start circuit (S34) is/was activated. The safety circuit (K1 and K2) is not picking up.	Error during manual reset S34 (stuck-at at the input).	Remove the error in the reset/start circuit. Then perform a function test.
OFF	OFF	OFF	The sensor circuit is active.	1. No supply voltage at A1/A 2. Over- or undervoltage at A1	Check the supply voltage.

## 17 Application examples

### Applications with the PSR-MS30

#### 17.1 Emergency stop monitoring/automatic start

- Two-channel emergency stop monitoring
- Automatic start
- Monitoring of external, force-guided contactors
- Suitable up to category 4, PL e (EN ISO 13849-1), SIL 3 (EN 62061), if cross-circuits in the control to the actuator can be ruled out

**i** Cross-circuits in the cable installation can be excluded if the safety relay and external contactors K1 and K2 are located in the same electrical installation space.

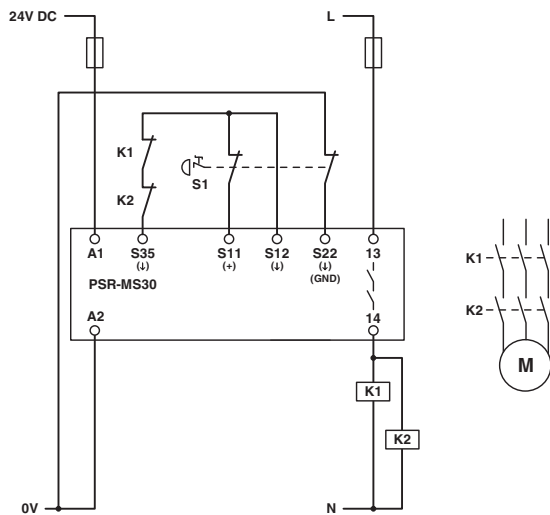


Figure 12 Emergency stop monitoring/automatic start

**Key:**

- S1** Emergency stop button
- K1/K2** Force-guided contactors

#### 17.2 Safety door monitoring/automatic start

- Two-channel safety door monitoring
- Automatic start
- Monitoring of external, force-guided contactors
- Suitable up to category 4, PL e (EN ISO 13849-1), SIL 3 (EN 62061), if cross-circuits in the control to the actuator can be ruled out

**i** Cross-circuits in the cable installation can be excluded if the safety relay and external contactors K1 and K2 are located in the same electrical installation space.

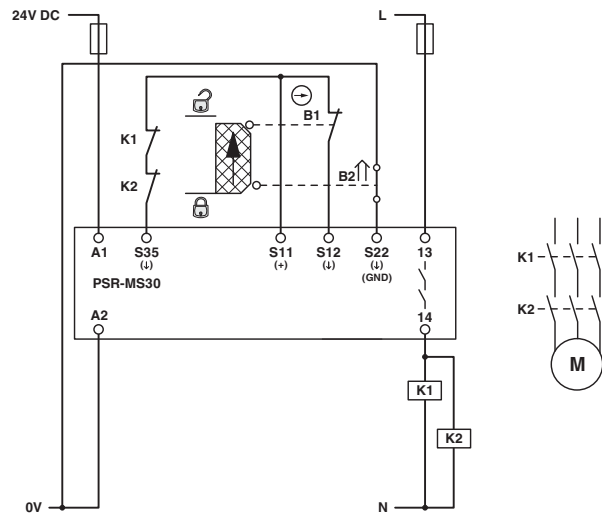


Figure 13 Safety door monitoring/automatic start

**Key:**

- B1/B2** Mechanical safety door switches
- K1/K2** Force-guided contactors



### 17.3 Magnetic switch monitoring/automatic start

- Two-channel magnetic switch monitoring
- Automatic start
- Monitoring of external, force-guided contactors
- Suitable up to category 4, PL e (EN ISO 13849-1), SIL 3 (EN 62061), if cross-circuits in the control to the actuator can be ruled out



Cross-circuits in the cable installation can be excluded if the safety relay and external contactors K1 and K2 are located in the same electrical installation space.

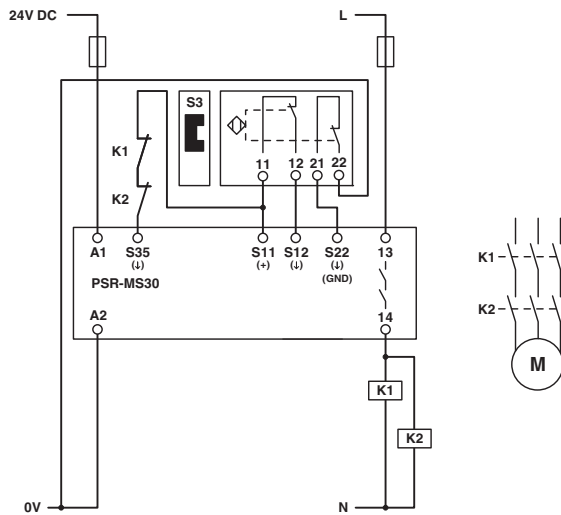


Figure 14 Magnetic switch monitoring/automatic start

**Key:**

- S3** Solenoid switch
- K1/K2** Force-guided contactors

### Applications with the PSR-MS35

#### 17.4 Emergency stop monitoring/manual, monitored start

- Two-channel emergency stop monitoring
- Manual, monitored start
- Monitoring of external, force-guided contactors
- Suitable up to category 4, PL e (EN ISO 13849-1), SIL 3 (EN 62061), if cross-circuits in the control to the actuator can be ruled out



Cross-circuits in the cable installation can be excluded if the safety relay and external contactors K1 and K2 are located in the same electrical installation space.

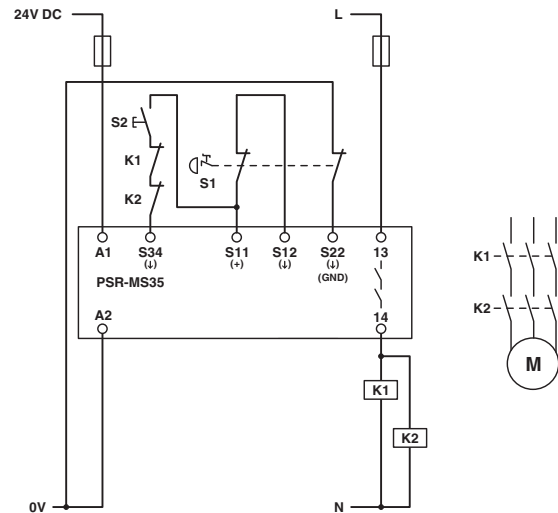


Figure 15 Emergency stop monitoring/manual, monitored start

**Key:**

- S1** Emergency stop button
- S2** Manual reset device
- K1/K2** Force-guided contactors

**17.5 Safety door monitoring/manual, monitored start**

- Two-channel safety door monitoring
- Manual, monitored start
- Monitoring of external, force-guided contactors
- Suitable up to category 4, PL e (EN ISO 13849-1), SIL 3 (EN 62061), if cross-circuits in the control to the actuator can be ruled out



Cross-circuits in the cable installation can be excluded if the safety relay and external contactors K1 and K2 are located in the same electrical installation space.

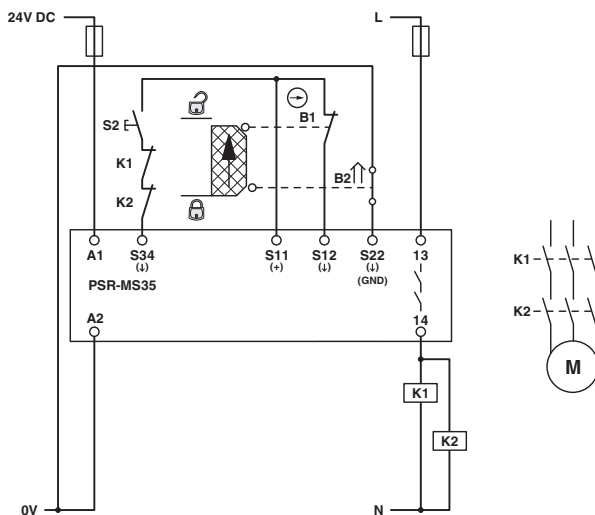


Figure 16 Safety door monitoring/manual, monitored start

**Key:**

- S2** Manual reset device
- B1/B2** Mechanical safety door switches
- K1/K2** Force-guided contactors

**17.6 Magnetic switch monitoring/manual, monitored start**

- Two-channel magnetic switch monitoring
- Manual, monitored start
- Monitoring of external, force-guided contactors
- Suitable up to category 4, PL e (EN ISO 13849-1), SIL 3 (EN 62061), if cross-circuits in the control to the actuator can be ruled out



Cross-circuits in the cable installation can be excluded if the safety relay and external contactors K1 and K2 are located in the same electrical installation space.

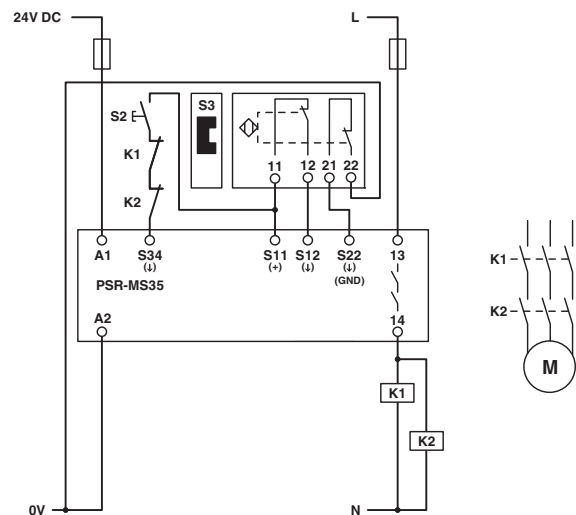


Figure 17 Magnetic switch monitoring/manual, monitored start

**Key:**

- S2** Manual reset device
- S3** Solenoid switch
- K1/K2** Force-guided contactors

## 18 Attachment

### 18.1 Using PSR devices at altitudes greater than 2000 m above sea level



The following section describes the special conditions for using PSR devices at altitudes greater than 2000 m above sea level. Observe the relevant device-specific data (technical data, derating, etc.) according to the product documentation for the individual device.

Using the device at altitudes **greater than 2000 m above sea level up to max. 4500 m above sea level** is possible under the following conditions:

1. Limit the rated control circuit supply voltage ( $U_S$ ) in accordance with the table below. Observe the technical data for the device.

$U_S$ according to the technical data for the device	$U_S$ when used at altitudes greater than 2000 m above sea level
< 150 V AC/DC	$U_S$ according to the technical data for the device still valid
> 150 V AC/DC	Limited to max. 150 V AC/DC

2. Limit the maximum switching voltage in accordance with the table below. Observe the technical data for the device.

Max. switching voltage according to the technical data for the device	Max. switching voltage when used at altitudes greater than 2000 m above sea level
< 150 V AC/DC	Max. switching voltage according to the technical data for the device still valid
> 150 V AC/DC	Limited to max. 150 V AC/DC

3. Reduce the maximum ambient temperature for operation by the corresponding factor in accordance with the table below.
4. If derating is specified, offset all the points of the derating curve by the corresponding factor in accordance with the table below.

Altitude above sea level	Temperature derating factor
2000 m	1
2500 m	0.953
3000 m	0.906
3500 m	0.859
4000 m	0.813
4500 m	0.766

#### Example calculation for 3000 m



The following calculation and the illustrated derating curve are provided as examples. Perform the actual calculation and offset the derating curve for the device used according to the technical data and the "Derating" section.

$$27\text{ °C} \cdot 0.906 \approx 24\text{ °C}$$

$$55\text{ °C} \cdot 0.906 \approx 49\text{ °C}$$

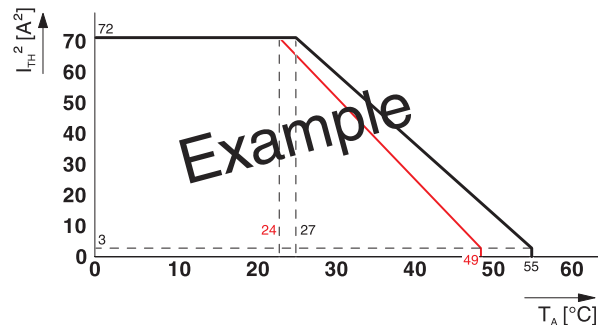


Figure 18 Example of a suspended derating curve (red)

**18.2 Revision history**

<b>Version</b>	<b>Date</b>	<b>Contents</b>
00	2014-12-03	First publication
01	2015-03-05	Reverse polarity protection extended; relay type extended; dimensions updated; load curve extended
02	2016-10-14	New edition of the data sheet: layout and structure revised; input voltage range and input current for "0" signal extended; output data (min. switching voltage) adjusted; relay type modified; note added regarding the protection of the 24 V area; inductive load curve extended; connection reset in Figure 11 adjusted; section on use at altitudes greater than 2000 m above sea level extended