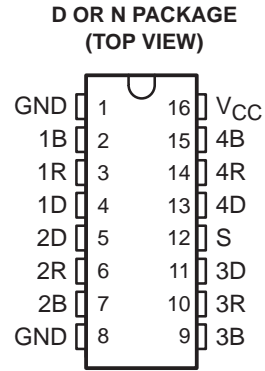


- Schottky Circuitry for High Speed, Typical Propagation Delay Time . . . 12 ns
- Drivers Feature Open-Collector Outputs for Party-Line (Data Bus) Operation
- Driver Outputs Can Sink 100 mA at 0.8 V Maximum
- pnp Inputs for Minimal Input Loading
- Designed to Be Interchangeable With Advanced Micro Devices AM26S10



## description

The AM26S10C is a quadruple bus transceiver utilizing Schottky-diode-clamped transistors for high speed. The drivers feature open-collector outputs capable of sinking 100 mA at 0.8 V maximum. The driver and strobe inputs use pnp transistors to reduce the input loading.

The driver of the AM26S10C is inverting and has two ground connections for improved ground current-handling capability. For proper operation, the ground pins should be tied together.

The AM26S10C is characterized for operation over the temperature range of 0°C to 70°C.

## Function Tables

**AM26S10C  
(transmitting)**

INPUTS		OUTPUTS	
S	D	B	R
L	H	L	H
L	L	H	L

**AM26S10C  
(receiving)**

INPUTS			OUTPUT
S	B	D	R
H	H	X	L
H	L	X	H

H = high level, L = low level, X = irrelevant

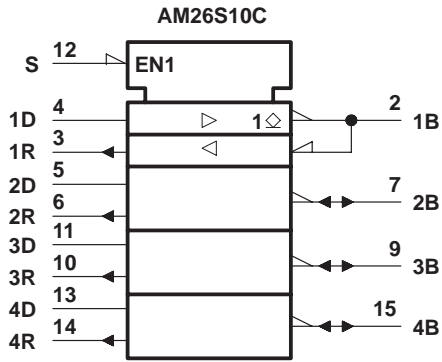


Please be aware that an important notice concerning availability, standard warranty, and use in critical applications of Texas Instruments semiconductor products and disclaimers thereto appears at the end of this data sheet.

# AM26S10C QUADRUPLE BUS TRANSCEIVERS

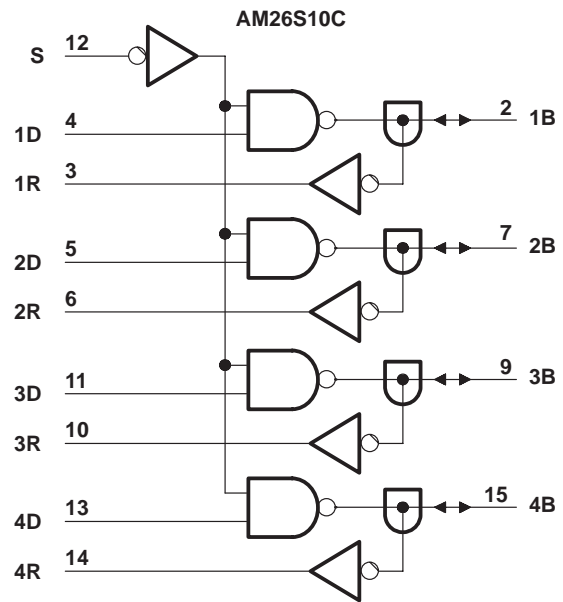
SLLS116C – JANUARY 1977 – REVISED MARCH 1997

## logic symbol†

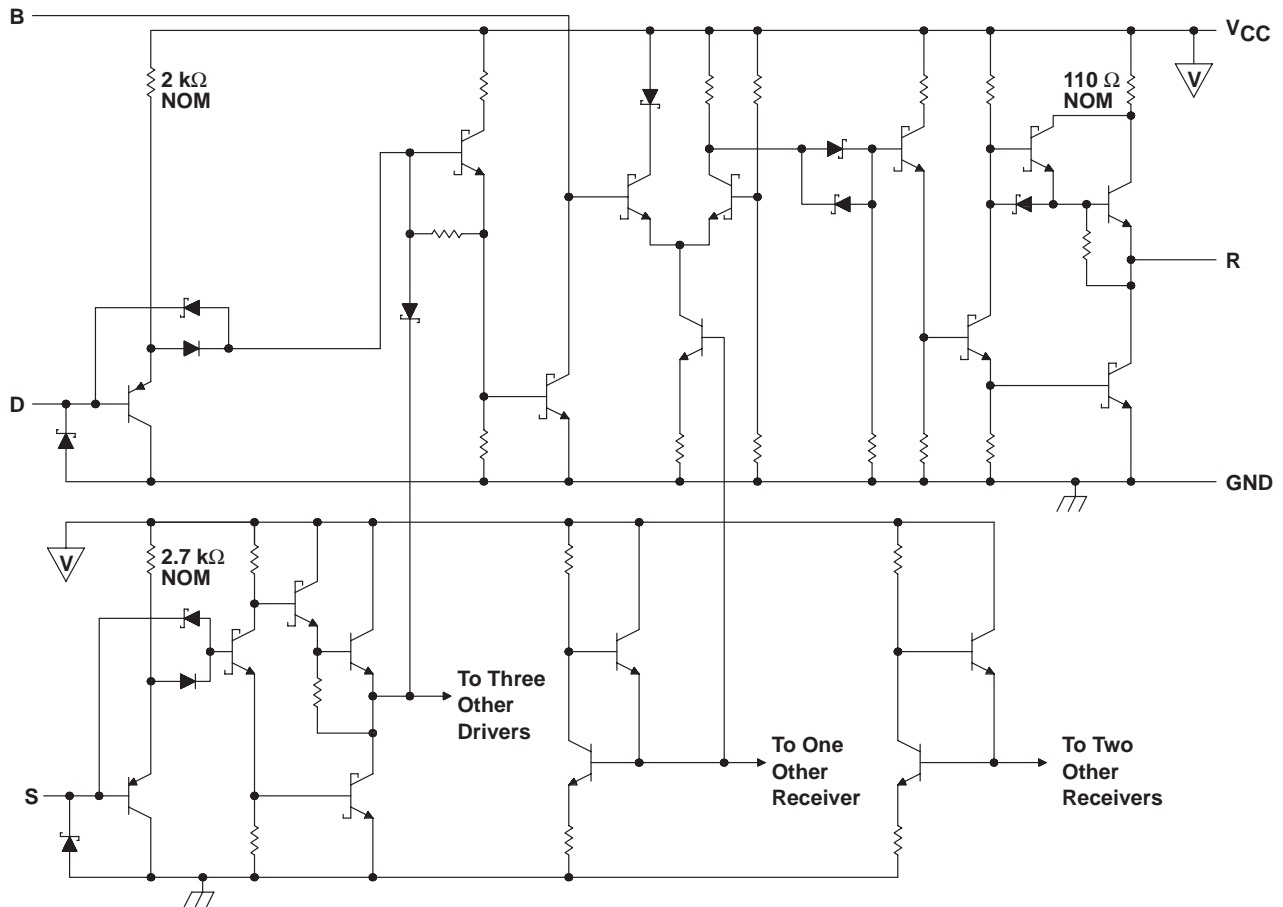


† These symbols are in accordance with ANSI/IEEE Std 91-1984 and IEC Publication 617-12.

## logic diagram (positive logic)



## schematic (each transceiver)



**absolute maximum ratings over operating free-air temperature range (unless otherwise noted)†**

Supply voltage, $V_{CC}$ (see Note 1)	–0.5 V to 7 V
Driver or strobe input voltage range, $V_I$	–0.5 V to 5.5 V
Bus voltage range, driver output off, $V_O$	–0.5 V to 5.25 V
Driver or strobe input current range, $I_I$	–30 mA to 5 mA
Driver output current, $I_O$	200 mA
Receiver output current, $I_O$	30 mA
Continuous total power dissipation	See Dissipation Rating Table
Operating free-air temperature range, $T_A$	0°C to 70°C
Storage temperature range, $T_{stg}$	–65°C to 150°C
Lead temperature 1,6 mm (1/16 inch) from case for 10 seconds	260°C

† Stresses beyond those listed under “absolute maximum ratings” may cause permanent damage to the device. These are stress ratings only, and functional operation of the device at these or any other conditions beyond those indicated under “recommended operating conditions” is not implied. Exposure to absolute-maximum-rated conditions for extended periods may affect device reliability.

NOTE 1: All voltage values are with respect to network ground terminals connected together.

**DISSIPATION RATING TABLE**

PACKAGE	$T_A \leq 25^\circ\text{C}$ POWER RATING	DERATING FACTOR ABOVE $T_A = 25^\circ\text{C}$	$T_A = 70^\circ\text{C}$ POWER RATING
D	950 mW	7.6 mW/°C	608 mW
N	1150 mW	9.2 mW/°C	736 mW

**recommended operating conditions**

		MIN	NOM	MAX	UNIT
Supply voltage, $V_{CC}$		4.75	5	5.25	V
High-level input voltage, $V_{IH}$	D or S	2			V
	B	2.25			
Low-level input voltage, $V_{IL}$	D or S	0.8			V
	B	1.75			
Receiver high-level output current, $I_{OH}$		–1			mA
Low-level output current, $I_{OL}$	Driver	100			mA
	Receiver	20			
Operating free-air temperature, $T_A$		0	70		°C

# AM26S10C QUADRUPLE BUS TRANSCEIVERS

SLLS116C – JANUARY 1977 – REVISED MARCH 1997

## electrical characteristics over recommended operating free-air temperature range

PARAMETER		TEST CONDITIONS		MIN	TYP†	MAX	UNIT
V <sub>IK</sub>	Input clamp voltage	D or S	V <sub>CC</sub> = 4.75 V, I <sub>I</sub> = -18 mA			-1.2	V
V <sub>OH</sub>	High-level output voltage	R	V <sub>CC</sub> = 4.75 V, I <sub>OH</sub> = -1 mA, V <sub>IH</sub> = 2 V, V <sub>IL</sub> = 0.8 V	2.7	3.4		V
V <sub>OH</sub>	Low-level output voltage	R	V <sub>CC</sub> = 4.75 V, V <sub>IH</sub> = 2 V, V <sub>IL</sub> = 0.8 V	I <sub>OL</sub> = 20 mA		0.5	V
				I <sub>OL</sub> = 40 mA	0.33	0.5	
		B		I <sub>OL</sub> = 70 mA	0.42	0.7	
				I <sub>OL</sub> = 100 mA	0.51	0.8	
I <sub>O(off)</sub>	Off-stage output current	B	V <sub>IH</sub> = 2 V, V <sub>IL</sub> = 0.8 V	V <sub>CC</sub> = 5.25 V, V <sub>O</sub> = 0.8 V		-50	μA
				V <sub>CC</sub> = 5.25 V, V <sub>O</sub> = 4.5 V		100	
				V <sub>CC</sub> = 0, V <sub>O</sub> = 4.5 V		100	
I <sub>IH</sub>	High-level input current	D	V <sub>CC</sub> = 5.25 V, V <sub>I</sub> = 2.7 V			30	μA
		S				20	
I <sub>I</sub>	Input current at maximum input voltage	D or S	V <sub>CC</sub> = 5.25 V, V <sub>I</sub> = 5.5 V			100	μA
I <sub>IL</sub>	Low-level input current	D	V <sub>CC</sub> = 5.25 V, V <sub>I</sub> = 0.4 V			-0.54	mA
		S				-0.36	
I <sub>OS</sub>	Short-circuit output current‡	R	V <sub>CC</sub> = 5.25 V	-18		-60	mA
I <sub>CC</sub>	Supply current	V <sub>CC</sub> = 5.25 V, Strobe at 0 V, No load, All driver outputs low			45	70	mA
						80	

† All typical values are at T<sub>A</sub> = 25°C and V<sub>CC</sub> = 5 V.

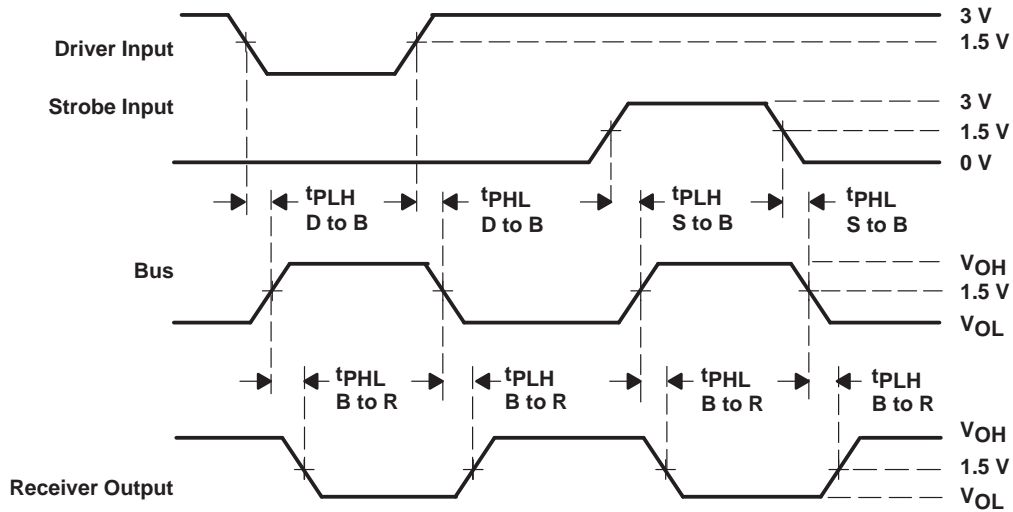
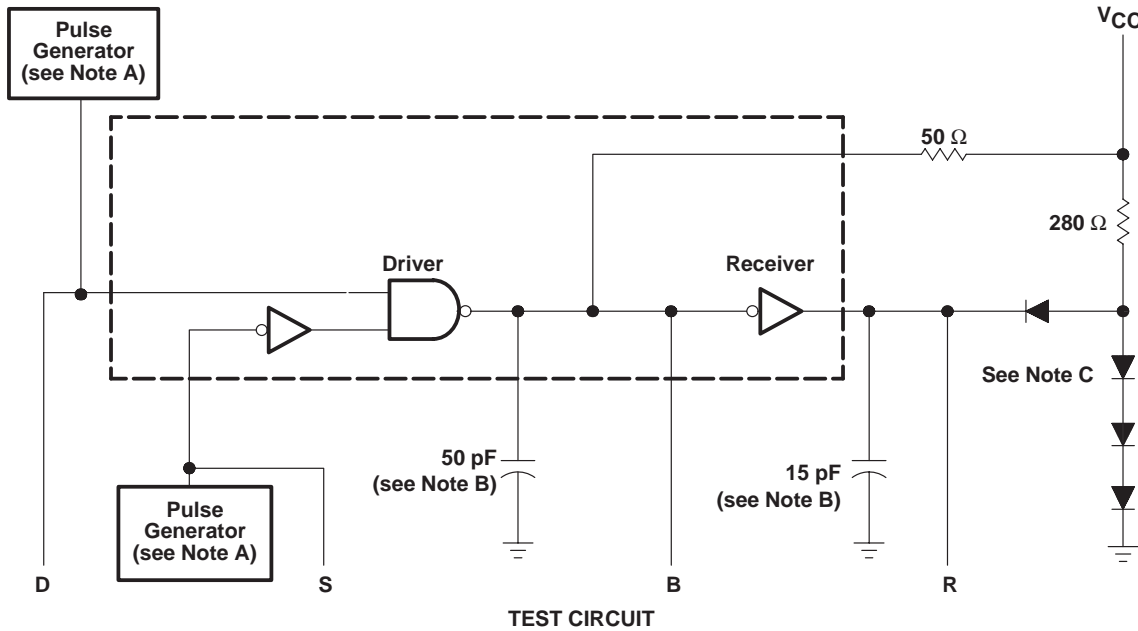
‡ Not more than one output should be shorted to ground at a time, and duration of the short circuit should not exceed one second.

## switching characteristics, V<sub>CC</sub> = 5 V, T<sub>A</sub> = 25°C

PARAMETER	FROM (INPUT)	TO (OUTPUT)	TEST CONDITIONS	AM26S10C			UNIT
				MIN	TYP	MAX	
t <sub>PLH</sub>	D	B	See Figure 1		10	15	ns
t <sub>PHL</sub>					10	15	
t <sub>PLH</sub>	S	B			14	18	ns
t <sub>PHL</sub>					13	18	
t <sub>PLH</sub>	B	R			10	15	ns
t <sub>PHL</sub>					10	15	
t <sub>TLH</sub>		B			4	10	ns
t <sub>THL</sub>					2	4	



PARAMETER MEASUREMENT INFORMATION



VOLTAGE WAVEFORMS

- NOTES: A. The pulse generators have the following characteristics:  $Z_O = 50 \Omega$ ,  $t_r = 10 \pm 5$  ns.  
 B. Includes probe and jig capacitance.  
 C. All diodes are 1N916 or equivalent.

Figure 1. Test Circuit and Voltage Waveforms

# AM26S10C QUADRUPLE BUS TRANSCEIVERS

SLLS116C – JANUARY 1977 – REVISED MARCH 1997

## APPLICATION INFORMATION

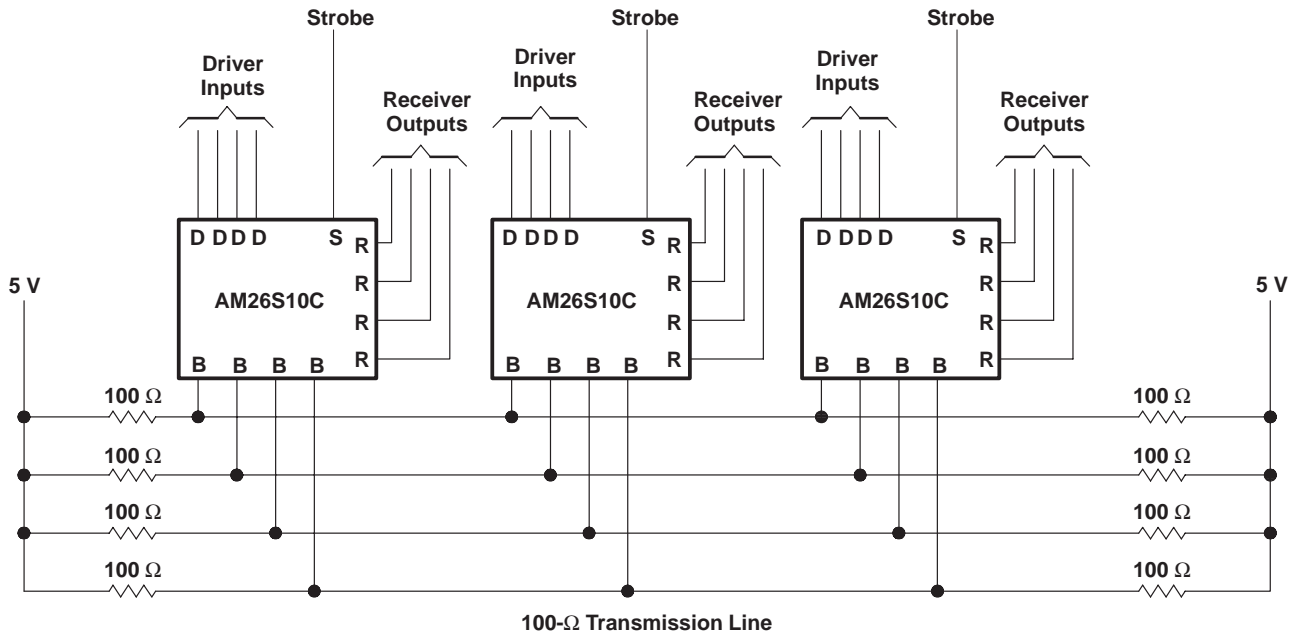


Figure 2. Party-Line System

**PACKAGING INFORMATION**

Orderable Device	Status (1)	Package Type	Package Drawing	Pins	Package Qty	Eco Plan (2)	Lead finish/ Ball material (6)	MSL Peak Temp (3)	Op Temp (°C)	Device Marking (4/5)	Samples
AM26S10CD	ACTIVE	SOIC	D	16	40	RoHS & Green	NIPDAU	Level-1-260C-UNLIM	0 to 70	AM26S10C	<a href="#">Samples</a>
AM26S10CDR	ACTIVE	SOIC	D	16	2500	RoHS & Green	NIPDAU	Level-1-260C-UNLIM	0 to 70	AM26S10C	<a href="#">Samples</a>
AM26S10CN	ACTIVE	PDIP	N	16	25	RoHS & Green	NIPDAU	N / A for Pkg Type	0 to 70	AM26S10CN	<a href="#">Samples</a>
AM26S10CNE4	ACTIVE	PDIP	N	16	25	RoHS & Green	NIPDAU	N / A for Pkg Type	0 to 70	AM26S10CN	<a href="#">Samples</a>

(1) The marketing status values are defined as follows:

**ACTIVE:** Product device recommended for new designs.

**LIFEBUY:** TI has announced that the device will be discontinued, and a lifetime-buy period is in effect.

**NRND:** Not recommended for new designs. Device is in production to support existing customers, but TI does not recommend using this part in a new design.

**PREVIEW:** Device has been announced but is not in production. Samples may or may not be available.

**OBSOLETE:** TI has discontinued the production of the device.

(2) **RoHS:** TI defines "RoHS" to mean semiconductor products that are compliant with the current EU RoHS requirements for all 10 RoHS substances, including the requirement that RoHS substance do not exceed 0.1% by weight in homogeneous materials. Where designed to be soldered at high temperatures, "RoHS" products are suitable for use in specified lead-free processes. TI may reference these types of products as "Pb-Free".

**RoHS Exempt:** TI defines "RoHS Exempt" to mean products that contain lead but are compliant with EU RoHS pursuant to a specific EU RoHS exemption.

**Green:** TI defines "Green" to mean the content of Chlorine (Cl) and Bromine (Br) based flame retardants meet JS709B low halogen requirements of <=1000ppm threshold. Antimony trioxide based flame retardants must also meet the <=1000ppm threshold requirement.

(3) MSL, Peak Temp. - The Moisture Sensitivity Level rating according to the JEDEC industry standard classifications, and peak solder temperature.

(4) There may be additional marking, which relates to the logo, the lot trace code information, or the environmental category on the device.

(5) Multiple Device Markings will be inside parentheses. Only one Device Marking contained in parentheses and separated by a "-" will appear on a device. If a line is indented then it is a continuation of the previous line and the two combined represent the entire Device Marking for that device.

(6) Lead finish/Ball material - Orderable Devices may have multiple material finish options. Finish options are separated by a vertical ruled line. Lead finish/Ball material values may wrap to two lines if the finish value exceeds the maximum column width.

**Important Information and Disclaimer:**The information provided on this page represents TI's knowledge and belief as of the date that it is provided. TI bases its knowledge and belief on information provided by third parties, and makes no representation or warranty as to the accuracy of such information. Efforts are underway to better integrate information from third parties. TI has taken and

continues to take reasonable steps to provide representative and accurate information but may not have conducted destructive testing or chemical analysis on incoming materials and chemicals. TI and TI suppliers consider certain information to be proprietary, and thus CAS numbers and other limited information may not be available for release.

In no event shall TI's liability arising out of such information exceed the total purchase price of the TI part(s) at issue in this document sold by TI to Customer on an annual basis.

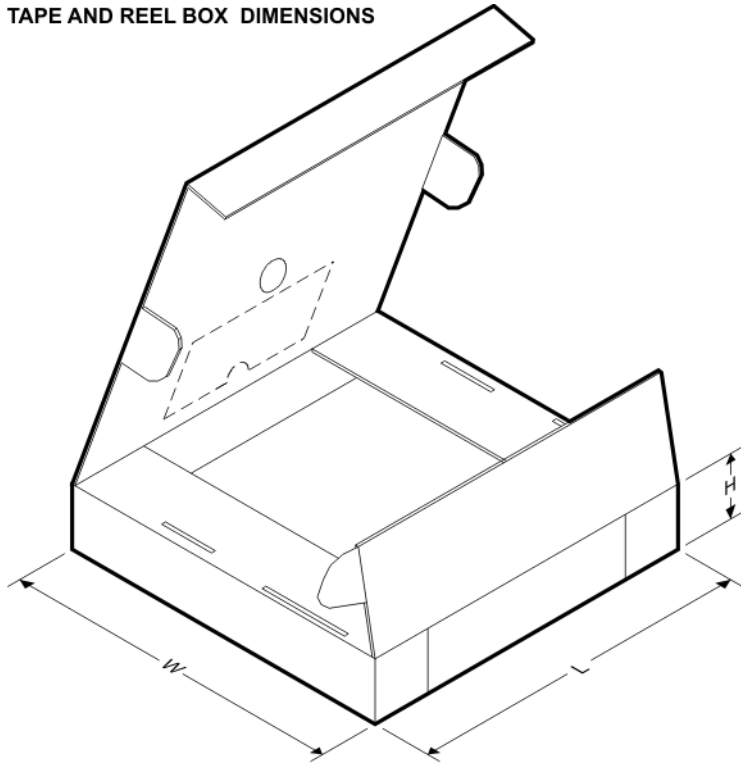


**TAPE AND REEL INFORMATION**

**QUADRANT ASSIGNMENTS FOR PIN 1 ORIENTATION IN TAPE**


\*All dimensions are nominal

Device	Package Type	Package Drawing	Pins	SPQ	Reel Diameter (mm)	Reel Width W1 (mm)	A0 (mm)	B0 (mm)	K0 (mm)	P1 (mm)	W (mm)	Pin1 Quadrant
AM26S10CDR	SOIC	D	16	2500	330.0	16.4	6.5	10.3	2.1	8.0	16.0	Q1

**TAPE AND REEL BOX DIMENSIONS**


\*All dimensions are nominal

Device	Package Type	Package Drawing	Pins	SPQ	Length (mm)	Width (mm)	Height (mm)
AM26S10CDR	SOIC	D	16	2500	340.5	336.1	32.0

**TUBE**


\*All dimensions are nominal

Device	Package Name	Package Type	Pins	SPQ	L (mm)	W (mm)	T (μm)	B (mm)
AM26S10CD	D	SOIC	16	40	507	8	3940	4.32
AM26S10CN	N	PDIP	16	25	506	13.97	11230	4.32
AM26S10CNE4	N	PDIP	16	25	506	13.97	11230	4.32

D (R-PDSO-G16)

PLASTIC SMALL OUTLINE



- NOTES:
- A. All linear dimensions are in inches (millimeters).
  - B. This drawing is subject to change without notice.
  - C. Body length does not include mold flash, protrusions, or gate burrs. Mold flash, protrusions, or gate burrs shall not exceed 0.006 (0,15) each side.
  - D. Body width does not include interlead flash. Interlead flash shall not exceed 0.017 (0,43) each side.
  - E. Reference JEDEC MS-012 variation AC.

D (R-PDSO-G16)

PLASTIC SMALL OUTLINE



4211283-4/E 08/12

- NOTES:
- A. All linear dimensions are in millimeters.
  - B. This drawing is subject to change without notice.
  - C. Publication IPC-7351 is recommended for alternate designs.
  - D. Laser cutting apertures with trapezoidal walls and also rounding corners will offer better paste release. Customers should contact their board assembly site for stencil design recommendations. Refer to IPC-7525 for other stencil recommendations.
  - E. Customers should contact their board fabrication site for solder mask tolerances between and around signal pads.

N (R-PDIP-T\*\*)

PLASTIC DUAL-IN-LINE PACKAGE

16 PINS SHOWN



- NOTES:
- A. All linear dimensions are in inches (millimeters).
  - B. This drawing is subject to change without notice.
  - (C) Falls within JEDEC MS-001, except 18 and 20 pin minimum body length (Dim A).
  - (D) The 20 pin end lead shoulder width is a vendor option, either half or full width.

4040049/E 12/2002

## IMPORTANT NOTICE AND DISCLAIMER

TI PROVIDES TECHNICAL AND RELIABILITY DATA (INCLUDING DATA SHEETS), DESIGN RESOURCES (INCLUDING REFERENCE DESIGNS), APPLICATION OR OTHER DESIGN ADVICE, WEB TOOLS, SAFETY INFORMATION, AND OTHER RESOURCES "AS IS" AND WITH ALL FAULTS, AND DISCLAIMS ALL WARRANTIES, EXPRESS AND IMPLIED, INCLUDING WITHOUT LIMITATION ANY IMPLIED WARRANTIES OF MERCHANTABILITY, FITNESS FOR A PARTICULAR PURPOSE OR NON-INFRINGEMENT OF THIRD PARTY INTELLECTUAL PROPERTY RIGHTS.

These resources are intended for skilled developers designing with TI products. You are solely responsible for (1) selecting the appropriate TI products for your application, (2) designing, validating and testing your application, and (3) ensuring your application meets applicable standards, and any other safety, security, regulatory or other requirements.

These resources are subject to change without notice. TI grants you permission to use these resources only for development of an application that uses the TI products described in the resource. Other reproduction and display of these resources is prohibited. No license is granted to any other TI intellectual property right or to any third party intellectual property right. TI disclaims responsibility for, and you will fully indemnify TI and its representatives against, any claims, damages, costs, losses, and liabilities arising out of your use of these resources.

TI's products are provided subject to [TI's Terms of Sale](#) or other applicable terms available either on [ti.com](http://ti.com) or provided in conjunction with such TI products. TI's provision of these resources does not expand or otherwise alter TI's applicable warranties or warranty disclaimers for TI products.

TI objects to and rejects any additional or different terms you may have proposed.

Mailing Address: Texas Instruments, Post Office Box 655303, Dallas, Texas 75265  
Copyright © 2022, Texas Instruments Incorporated