

667-084 Protective Cover for Hypertronics NPJY Connectors



Hypertronics

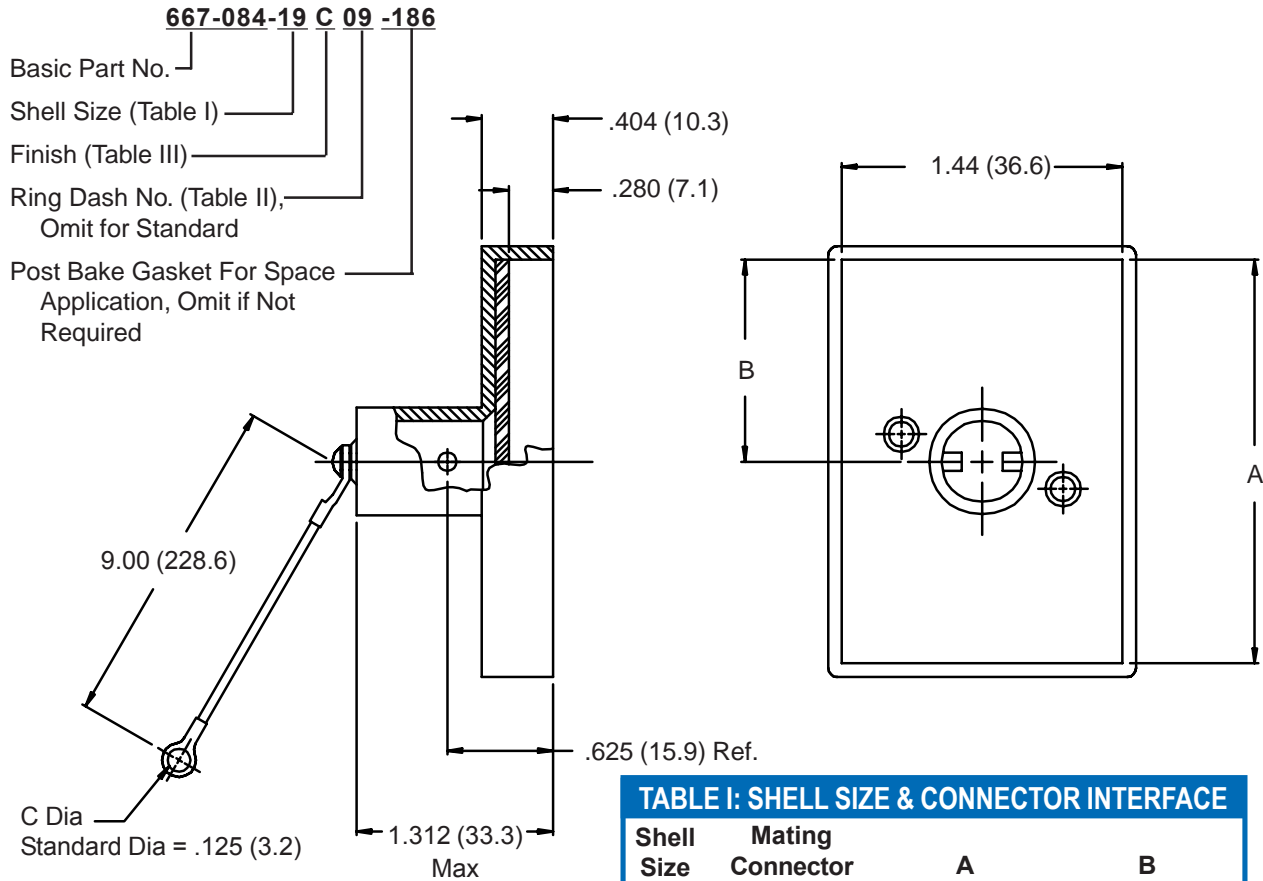


TABLE II: RING

| Dash No. | C Dia |
|----------|------------|
| 01 | .140 (3.6) |
| 02 | .182 (4.6) |
| 03 | .191 (4.9) |
| 04 | .197 (5.0) |
| 05 | .167 (4.2) |
| 07 | .218 (5.5) |
| 09 | .156 (4.0) |

TABLE I: SHELL SIZE & CONNECTOR INTERFACE

| Shell Size | Mating Connector | A | B |
|------------|------------------|---------------|--------------|
| 11 | NPJY11/ | 2.037 (51.7) | .913 (23.2) |
| 15 | NPJY15/ | 2.430 (61.7) | 1.113 (28.3) |
| 19 | NPJY19/ | 2.830 (71.9) | 1.313 (33.4) |
| 23 | NPJY23/ | 3.231 (82.1) | 1.513 (38.4) |
| 27 | NPJY27/ | 3.631 (92.2) | 1.713 (43.5) |
| 31 | NPJY31/ | 4.037 (102.5) | 1.913 (48.6) |
| 35 | NPJY35/ | 4.430 (112.5) | 2.113 (53.7) |
| 45 | NPJY45/ | 5.431 (137.9) | 2.603 (66.1) |

TABLE III - FINISH OPTIONS

| Symbol | Finish |
|--------|---|
| B | Cadmium Plate, Olive Drab |
| C | Black Anodize |
| J | Iridite, Gold Over Cadmium Plate over Nickel |
| M | Electroless Nickel |
| N | Cadmium Plate, Olive Drab, Over Nickel |
| NF | Cadmium Plate, Olive Drab, Over Electroless Nickel (1000 Hour Salt Spray) |
| T | Cadmium Plate, Bright Dip Over Nickel (500 Hour Salt Spray) |

**CONSULT FACTORY FOR
OTHER AVAILABLE FINISHES**

- Metric dimensions (mm) are indicated in parentheses.
- Material/Finish:
Cover and Knob = Al Alloy/
Table III
Hardware = SST/Passivate
Rope Covering = Teflon/N.A.
Gasket = Silicone/N.A.