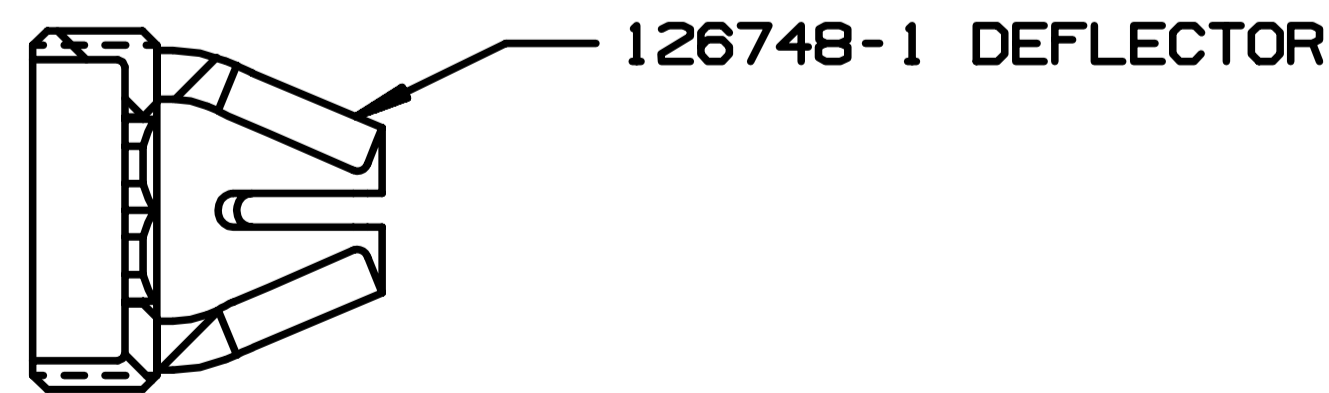
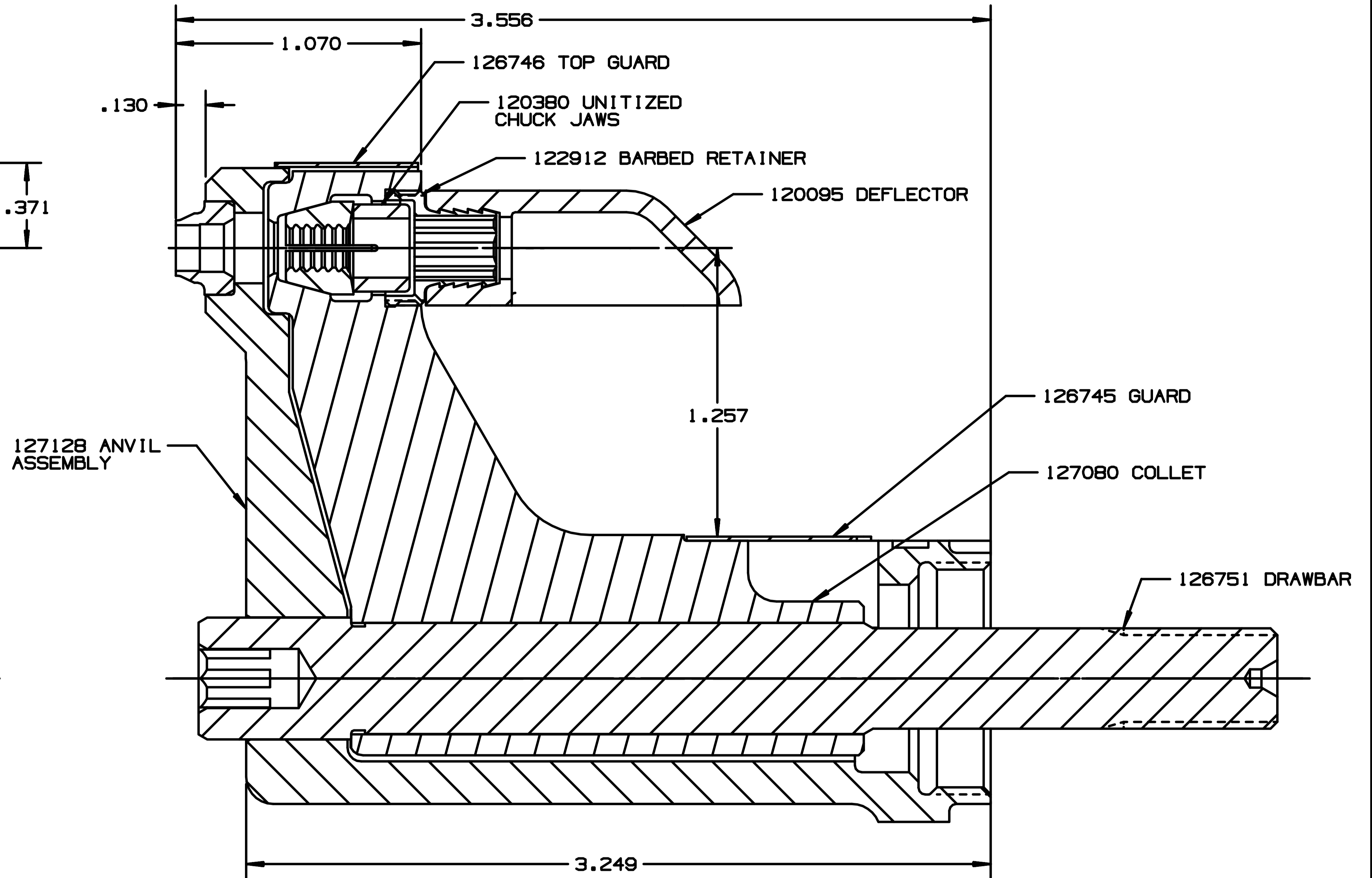
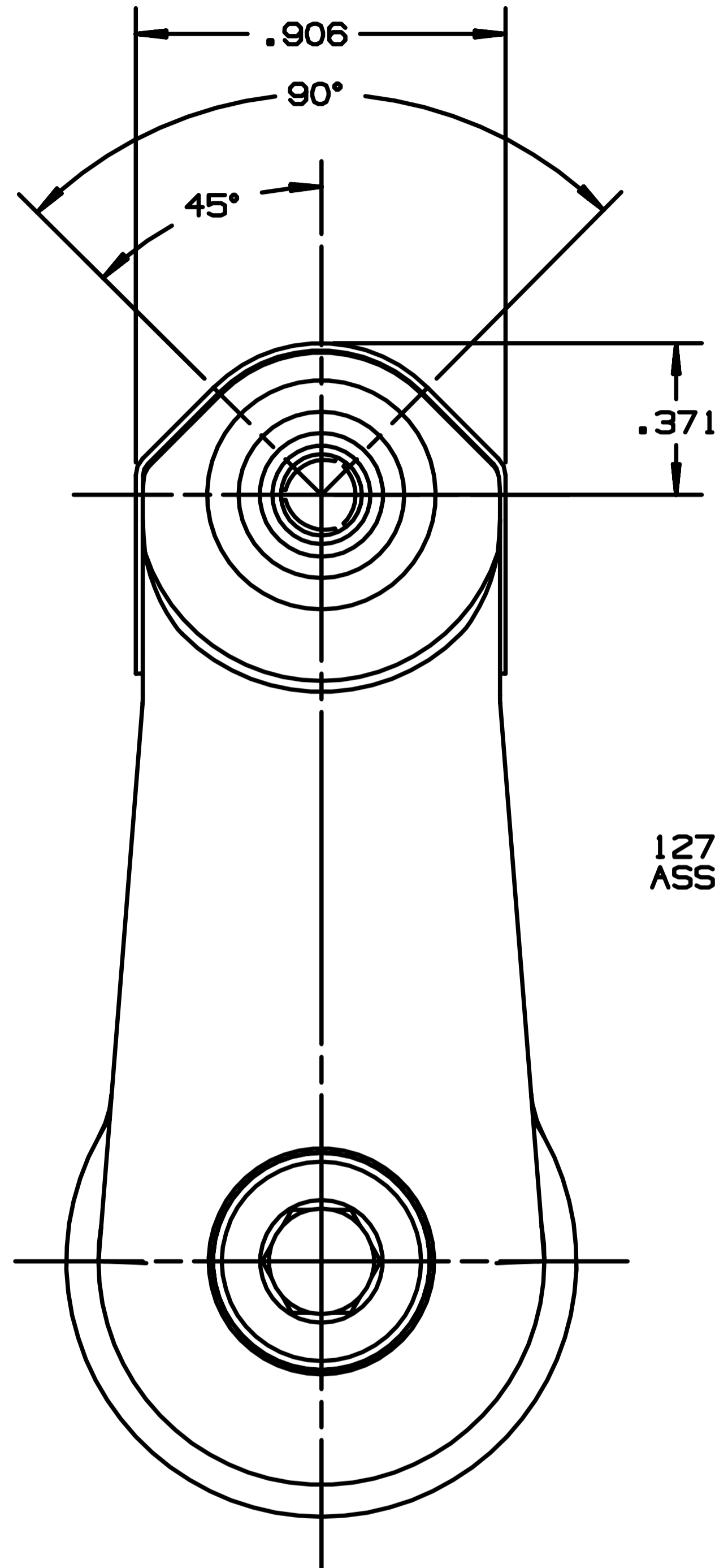


| REV | DESCRIPTION | DATE |
|-----|---------------|----------|
| C | MODELED IN UG | 12/11/04 |



NOTES:

- 1 MAXIMUM RECOMMENDED STROKE: .500
- 2 FOR USE WITH THE 225/245 TOOL, USE ATTACHMENT P/N 119400-1 AND STROKE LIMITER KIT 119362
- 3 FOR USE WITH 2500 TOOL, USE ATTACHMENT P/N 119400-1 AND STROKE LIMITER KIT 119888
- 4 FOR OTHER TOOLS AND/OR OTHER TOOL AND STROKE COMBINATIONS, CONSULT ENGINEERING DEPARTMENT
- 5 SHIP WITH STOP 126747
- 6 SHIP WITH DEFLECTOR 126748-1

| | | | |
|--|------|----------------|------------|
| IDENTIFICATION PER SPEC 42-311: ★ ETCH | | | |
| HUCK INTERNATIONAL, INC., I.S.D. 1 CORPORATE DR., P.O. BOX 2270 KINGSTON, NEW YORK 12401 | | | |
| NOSE ASSEMBLY -08 BLIND BOLT | | | |
| DET: MVM | CHK: | DATE: 10/29/02 | SCALE: 2:1 |
| FOC. FAC. | B | 99-3714-1 | |