



# MEA-698-3800-CM

Indoor Omnidirectional Antenna

Part #: 100-00187-01



## Description

The MEA-698-3800-CM is a high performance very robust antenna solution. This is a ceiling mount antenna covering 698MHz – 3800MHz featuring N female connector. The MEA-698-3800-CM antenna is IP65 rated and therefore very suitable for challenging outdoor environments and installations. The omnidirectional antenna MEA-698-3800-CM is designed for broadband in-building DAS applications in building coverage supporting 4G and 5G wireless communication networks. It is very lightweight antenna ideal for easy ceiling mounting.

## Electrical Specifications

Parameter	Specification	
Frequency Range	698-960 MHz	1427-2700MHz 3400-3800MHz
Gain	2.0 ± 0.5 dBi	5 ± 1 dBi
VSWR	< 1.8	< 1.5; < 1.8
V-Beamwidth	60°	30°
H-Beamwidth	360°	360°
Radiation Pattern	Omni-Directional	Omni-Directional
Omni-Directional	Vertical	Vertical
Impedance	50 Ω	
Max Power	150 W	

## Features

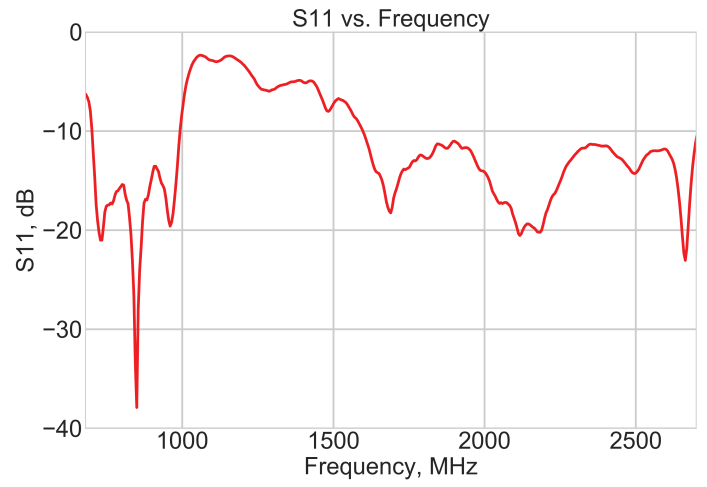
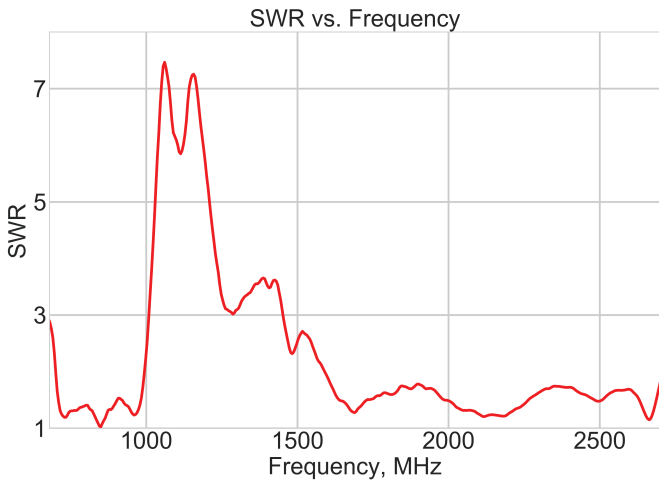
- Wideband Omni antenna
- Frequency bands: 698-960/1427-2700MHz/3400-3800MHz
- Compact and light weight
- Excellent performance
- Ceiling mounting
- N-female connector
- IP65

## Applications

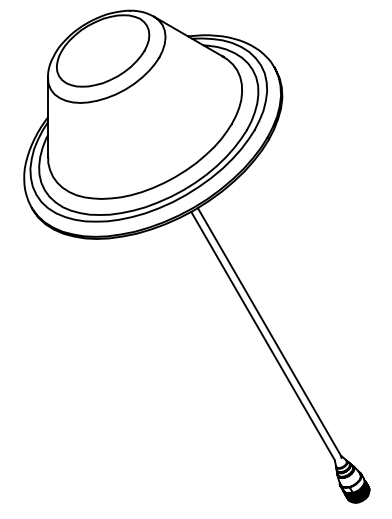
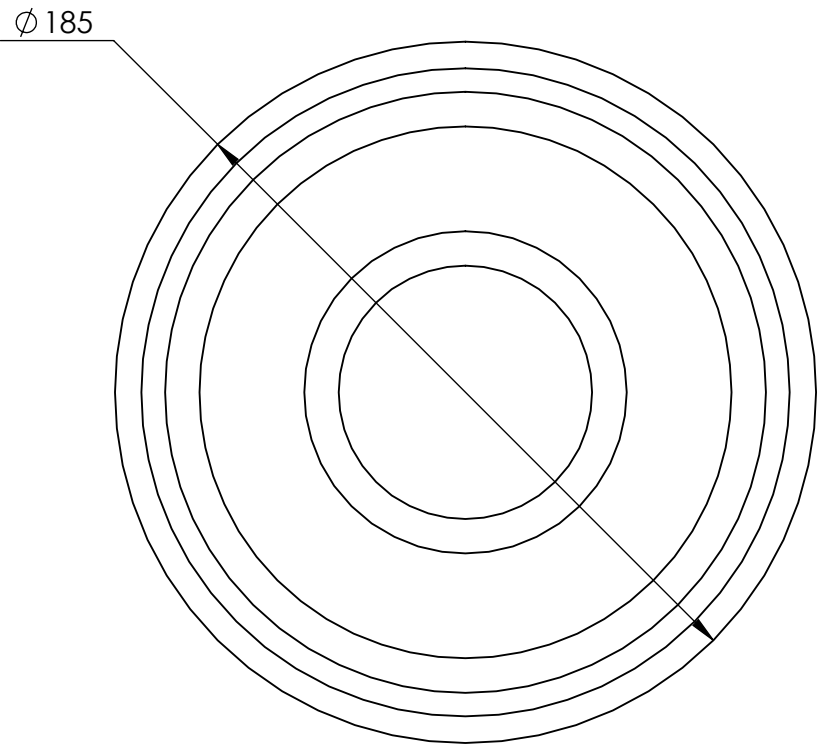
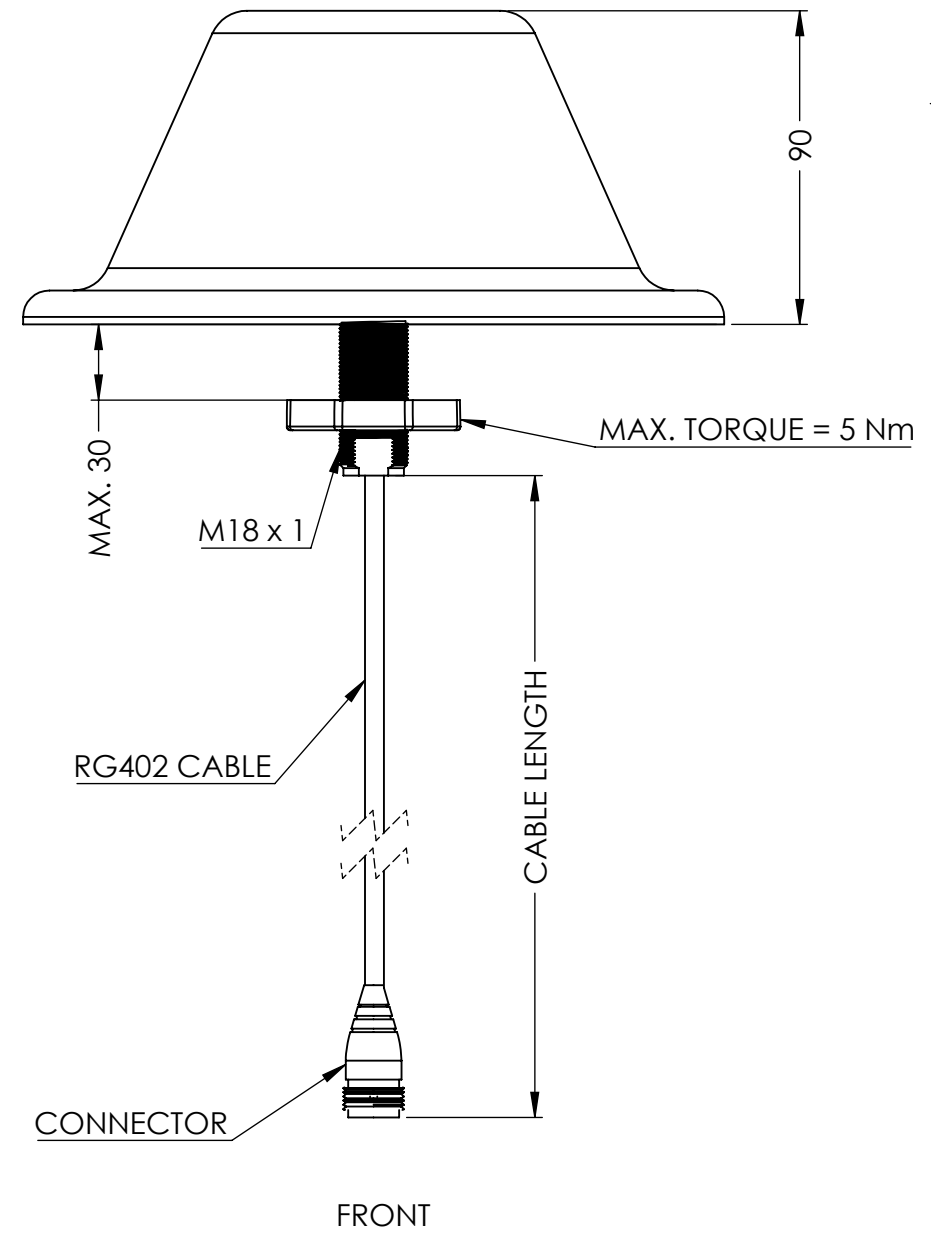
- Industrial IoT
- Public Safety & Security
- Utilities & Smart Connected Cities
- Fleet Management & Tracking
- FirstNet

## Mechanical Specification

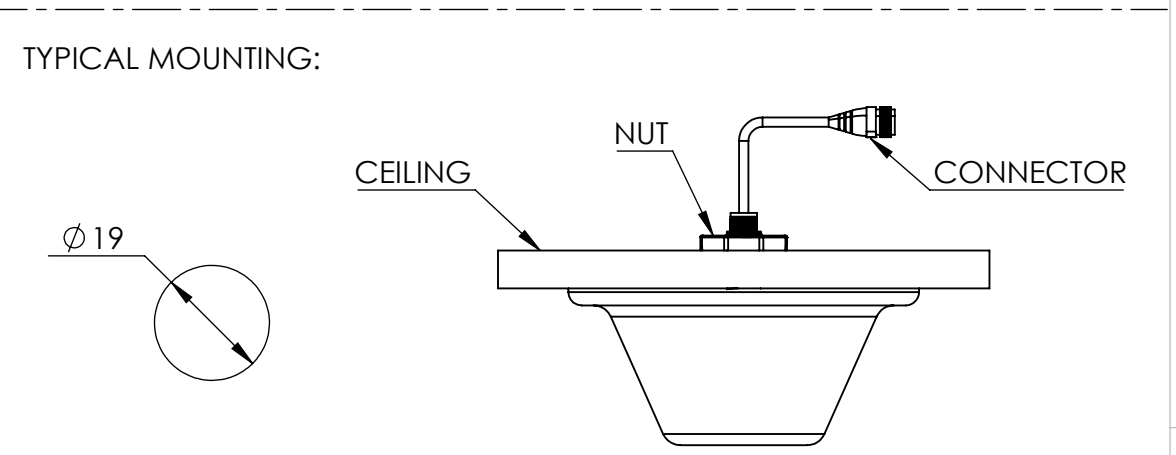
Parameter	Specification
Antenna Dimensions	Ø 185 x 90 mm
Operating Temperature	-40°C to 70°C
Weight	0.25 Kg
Cable Length	335 ± 20 mm
Mount	Ceiling Mount
Termination	N Female or 4.3-10 Female
Substance Compliance	RoHS
Certificates	IP65, IP50



DRAWING REVISION HISTORY			
REV	DESCRIPTION	DATE	BY
A	INITIAL RELEASE	2021-10-26	JET



- NOTES:
1. FREQUENCY: 698-3800 MHz
  2. MOUNTING TYPE: CEILING MOUNT
  3. CONNECTOR TYPE: N-FEMALE OR 4.3-10 FEMALE
  4. MAX. MOUNTING THICKNESS: 30 mm
  5. RADOME COLOR: WHITE
  6. OPERATING TEMPERTATURE: -40°C ~ +70°C
  7. STORAGE TEMPERTATURE: -40°C ~ +70°C
  8. CERTIFICATES: IP65, IP50



ITEM 100-00187 REVISION HISTORY			
REV	DESCRIPTION	DATE	BY
A	INITIAL RELEASE	2021-10-26	JET

100-00187 CONFIGURATION TABLE			
DASH NO	CABLE TYPE	CABLE LENGTH	CONNECTOR TYPE
-01	RG402	355±20	N FEMALE
-02	RG402	355±20	4.3-10 FEMALE

UNLESS OTHERWISE SPECIFIED:

DIMENSIONS ARE IN MM  
TOLERANCES:  
FRACTIONAL: ±  
ANGULAR: MACH ± .5° BEND ±  
ONE PLACE DECIMAL ± 1.0  
TWO PLACE DECIMAL ± .50

INTERPRET GEOMETRIC TOLERANCING PER:

THIRD ANGLE PROJECTION

DO NOT SCALE DRAWING

CAD MAINTAINED. CHANGES SHALL BE INCORPORATED BY THE DESIGN ACTIVITY.

MAXTENA, INC

TITLE: 100-00187 MEA-698-3800-CM

SIZE B DWG. NO. 117-00481-01 REV A

CAGE CODE: 5KQH7 SCALE: NONE SHEET 1 OF 1