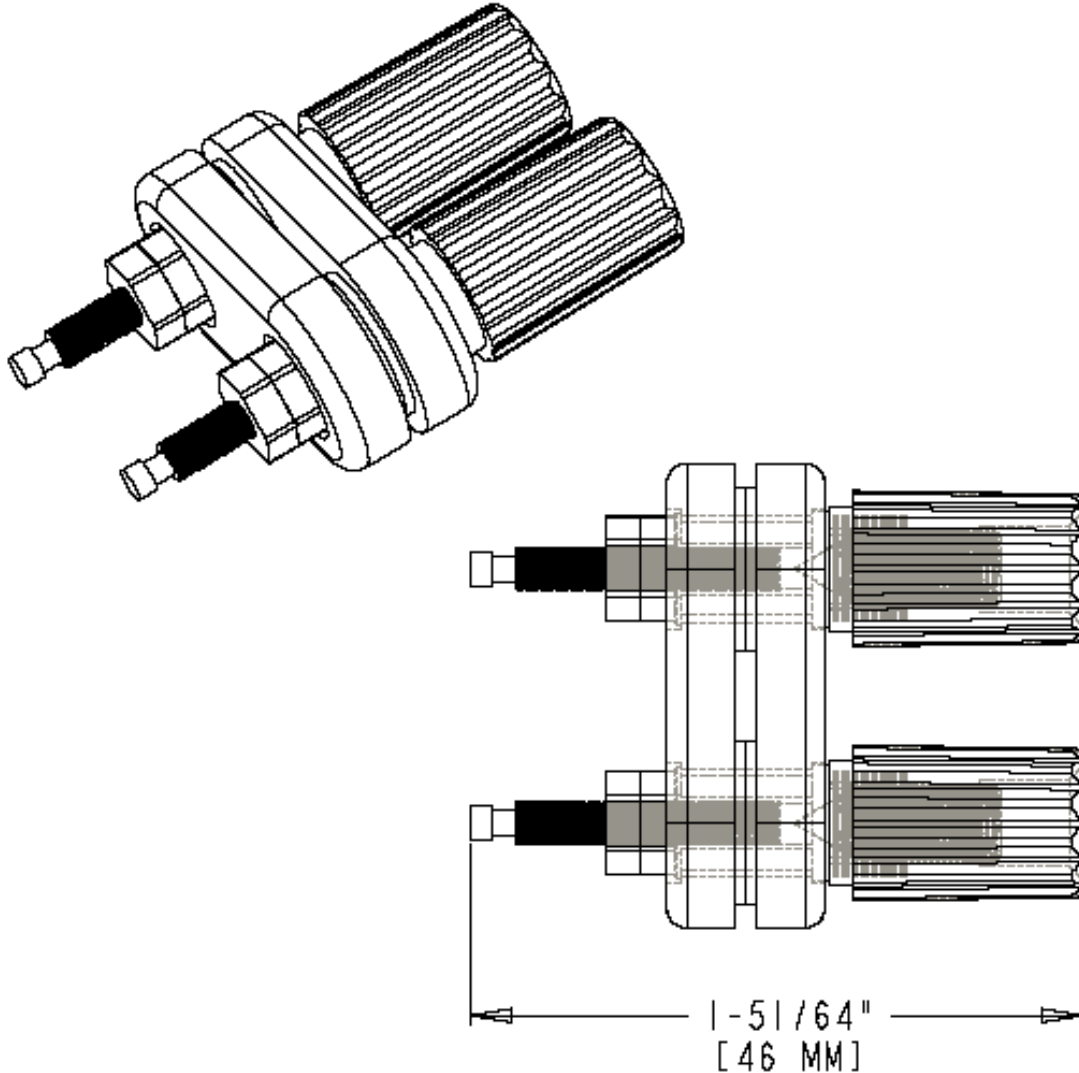




**Part Number:** BU-00283  
**Description:** Dual Five Way Binding Post  
3507



- Dual Five Way Binding Post
- Material: Post: nickel-plated brass; Insulator: nylon
- Length: 1.80" (46 mm)
- Rating: 15 Amps
- RoHS Compliant