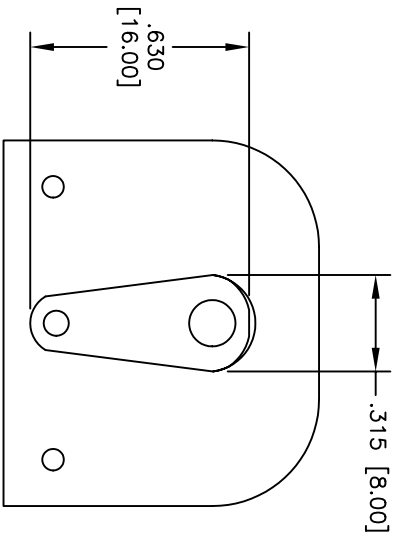
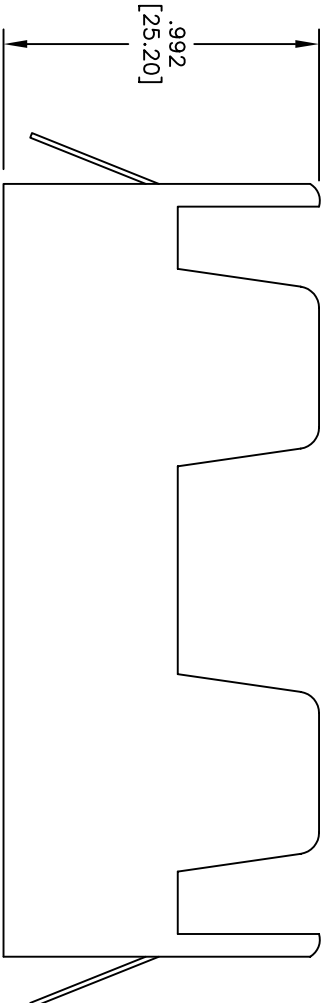
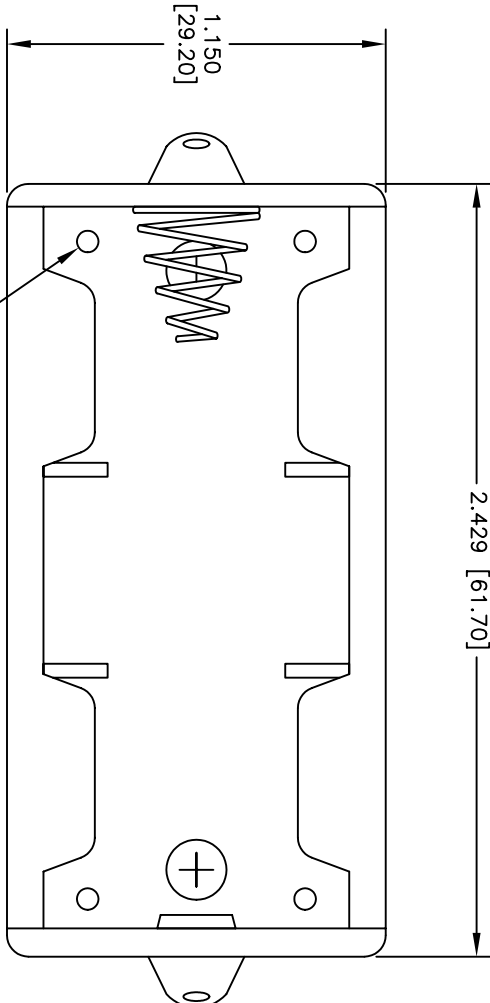


Rev	AWO #	Description	Date	Appr
-		RELEASED	1/16/05	

APPROVED: _____
 DATE: _____ TITLE: _____



SPECIFICATIONS:

Material: Insulator: Impact resistant Polypropylene, rated UL94-HB
 Insulator color: Black
 Spring: Steel, Nickel plated
 Contacts: Steel, Nickel plated
 Electrical: Operating voltage: 1.5 VDC max.
 Temperature Rating: Operating temperature: -10°C to +80°C
 Environmental: Lead free, RoHS compliant



UNLESS OTHERWISE SPECIFIED
 ALL DIMENSIONS ARE INCHES [MM]
 TOLERANCES: EXCEPT AS NOTED
 INCHES .X ± .10 .XX ± .020 .XXX ± .015
 HOLES ØX ± .10 ØXXX ± .015
 APPROVALS DATE

DRAWN	SS	1/19/05
CHECKED		
APPROVED		

ADAM TECH
 909 Rahway Avenue, Union, NJ 07083
 Phone: 908-687-5000 Fax: 908-687-5710

TITLE	BATTERY HOLDER, SOLDER TERMINALS FOR ONE "C" CELL	
SIZE	PART NO.	REV.
X	BH-12-3	-
REF:	SCALE: NTS	SHEET 1 OF 1