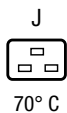


## IEC Appliance Outlet J, Screw-on Mounting, Front Side, Solder or Quick-connect Terminal

**Description**

- Panel Mount:  
Screw-on mounting from front side
- Connector, Pin temperature 70 °C, Protection class I
- Solder terminals or quick connect terminals We recommend for new applications the new type 4797

**Approvals**

- VDE License Number: 105039
- UL License Number: E103791
- CSA License Number: 73165

**Technical Data**

Ratings IEC	16A / 250VAC; 50Hz
Ratings UL/CSA	20A / 250VAC; 60Hz
Dielectric Strength	> 2kVAC between L-N > 2kVAC between L/N-PE (1 min/50Hz)
Allowable Operation Temp.	-25 °C to 70 °C
Degree of Protection	from front side IP 30 acc. to IEC 60529
Protection Class	Suitable for appliances with protection class 1 acc. to IEC 61140
Terminal	Solder terminals or quick connect terminals
Panel Thickness s	Screw: max 8 mm Mounting screw torque max 0.5Nm
Material: Housing	Thermoplastic, black, UL 94V-0

**References**

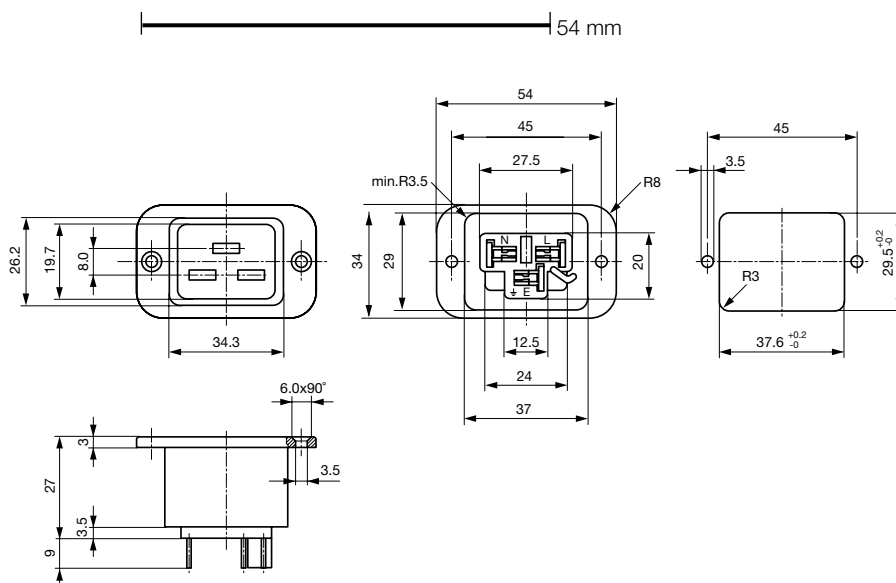
[General Product Information](#)

**Weblinks**

[Approvals, RoHS, CHINA-RoHS, Mating Connectors, e-Store, Distributor-Stock-Check, Accessories](#)

Appliance Outlet

J acc. to IEC/EN 60320-2-2,  
UL 498, CSA C22.2 no. 42 (for cold conditions) pin-temperature 70 °C, 16A,  
Protection Class 1

**Dimensions**

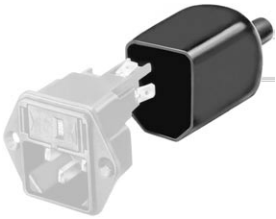
## Variants

Terminal	Order Number
-	6653.3100
Quick connect terminals 6.3 x 0.8 mm	6653.3300

**Packaging unit** 50 Pcs

## Accessories

### Description



Assorted Covers  
Rear Cover

0859.0075



Cord retaining kits  
Cord retaining strain relief

Countersunk, J

4700.0009

## Mating Inlets/Plugs

### Category / Description

[Plug Overview complete](#)



IEC Plug I, Cord Connector (Rewireable), Straight	0106
IEC Plug I, Cord Connector (Rewireable), Angled	1611
IEC Plug I, Cord Connector (Rewireable), Straight	1612
IEC Plug I, Cord Connector (Rewireable), Angled	4789
IEC Plug I, Cord Connector (Rewireable), Straight	4796

[Plug further types to 0723](#)