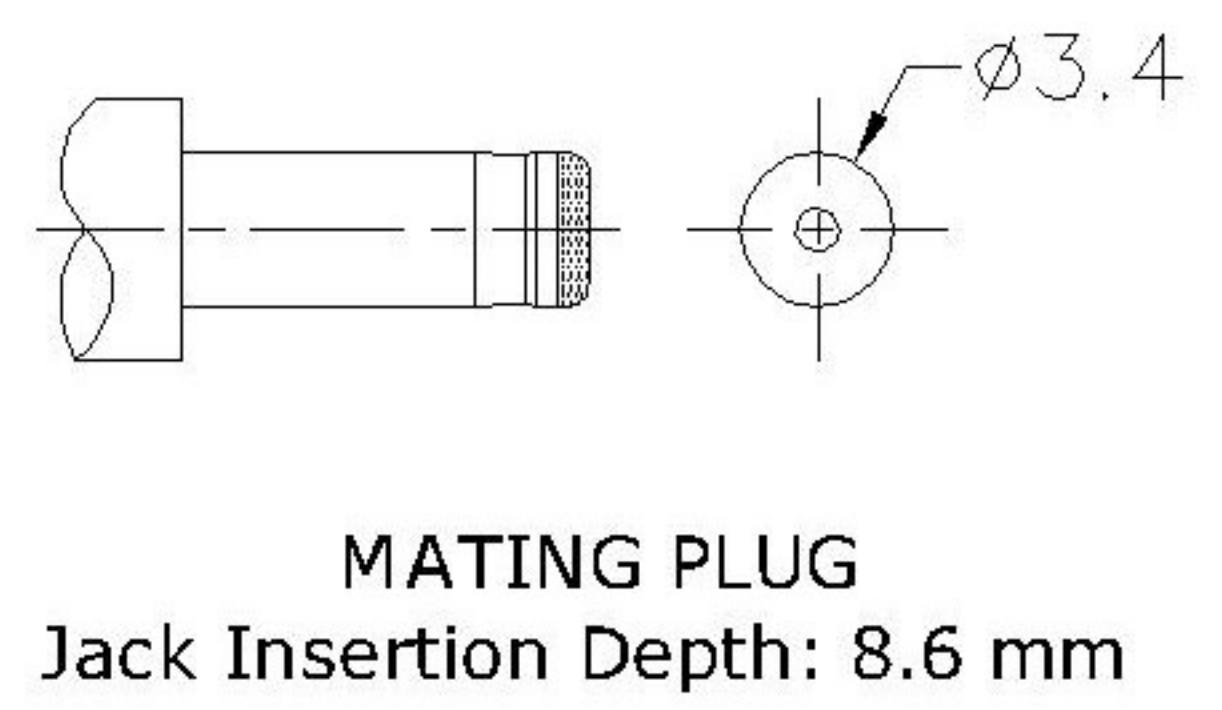
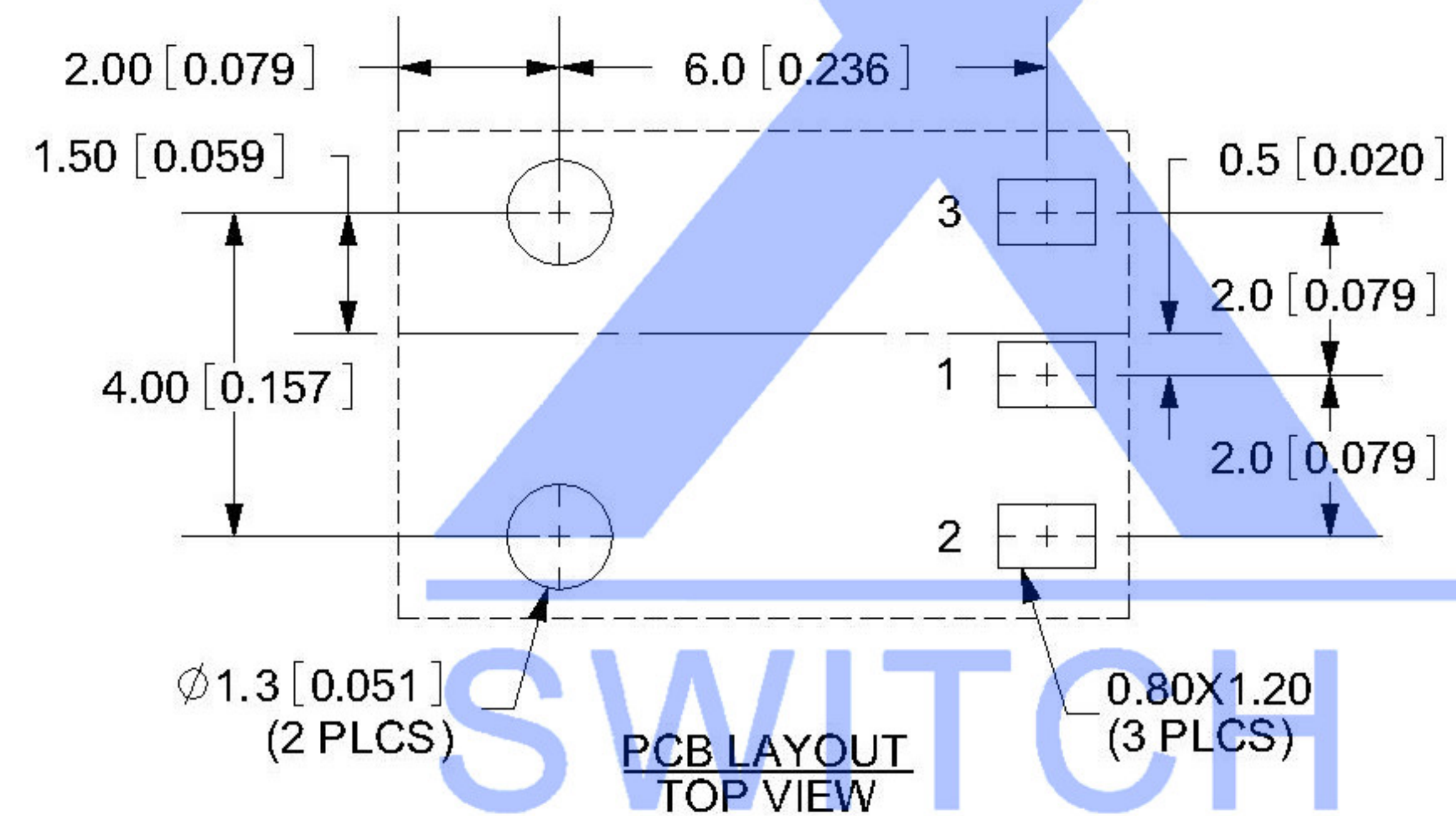


**Specifications:**  
 Voltage rating: 24V AC/DC  
 Current rating: 3.5A AC/DC  
 Withstanding voltage: 500V AC/minute  
 Temperature range: -16°C ~ +65°C  
 Insulation resistance: ≥100MΩ  
 Contact resistance: ≤30mΩ



ITEM	PART NAME	QTY	MATERIAL	FINISHING
4	terminal	3	C5191	ag Plated
3	center pin	1	H62	ag Plated
2	cover	1	POM	
1	base	1	PPA	

SCHEMATIC	
Model	DC-003A-3.5A
Center Pin	Ø1.0 mm
	Ø1.3 mm

REVISIONS					UNSPECIFIED TOLERANCES	DSND	DATE	SCALE: N/A	MODEL TYPE:
△ X					ANGULAR				DC POWER JACK
△ X					L ≤ 4	±5°			PART NO.:
△ X					4 < L ≤ 16	±0.2			DWG NO.:
MARK	DESCRIPTION	DATE	REVISED	APPROVED	16 < L ≤ 63	±0.3			DC-003A-3.5A-1.3
					L > 63	±0.4			
									WEIGHT
									1.0g
									SHEET
									1/1
									REVISION
									A0

XKB INDUSTRIAL PRECISION CO., LIMITED