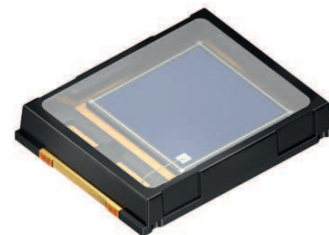


# Silicon PIN Photodiode

## Version 1.3

---

### SFH 2200



#### Features:

- Suitable for reflow soldering
- Especially suitable for applications from 400 nm to 1100 nm
- small package: (WxDxH) 4 mm x 5.1 mm x 0.85mm
- Solder control structure

#### Applications

- Photointerrupters
- Industrial electronics
- Consumer electronics
- For control and drive circuits
- Remote control

#### Ordering Information

Type:	Photocurrent $I_P$ [ $\mu\text{A}$ ] $E_V = 1000 \text{ lx, white LED,}$ $V_R = 5 \text{ V}$	Spectral sensitivity $S$ [ $\text{nA/lx}$ ] $V_R = 5 \text{ V, Std. Light A, T}$ $= 2856 \text{ K}$	Ordering Code
SFH 2200	8 ( $\geq 5$ )	71	Q65112A0250

**Maximum Ratings** ( $T_A = 25\text{ °C}$ )

Parameter	Symbol	Values	Unit
Operating and storage temperature range	$T_{op}; T_{stg}$	-40 ... 85	°C
Reverse voltage	$V_R$	20	V
Total Power dissipation	$P_{tot}$	150	mW
ESD withstand voltage (acc. to ANSI/ ESDA/ JEDEC JS-001 - HBM)	$V_{ESD}$	2000	V
Thermal resistance for mounting on pcb	$R_{thJA}$	275	K/W

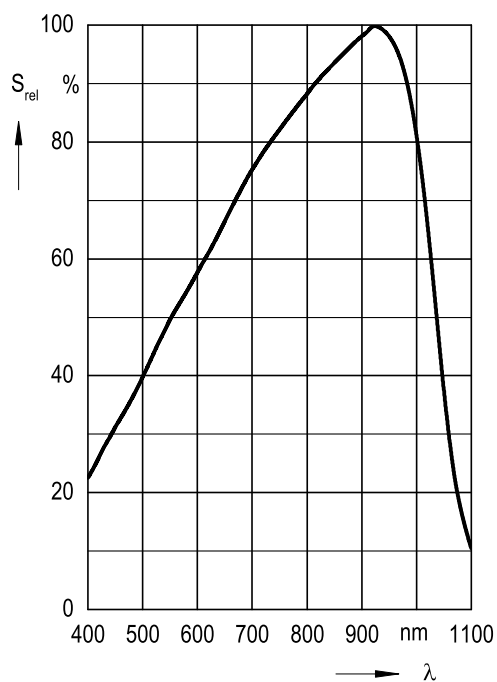
**Characteristics** ( $T_A = 25\text{ °C}$ )

Parameter	Symbol	Values	Unit
Spectral sensitivity ( $V_R = 5\text{ V}$ , Std. Light A, $T = 2856\text{ K}$ )	(typ (min)) S	71	nA/lx
Photocurrent ( $E_v = 1000\text{ lx}$ , white LED, $V_R = 5\text{ V}$ )	(typ (min)) $I_P$	8 ( $\geq 5$ )	$\mu\text{A}$
Wavelength of max. sensitivity	(typ) $\lambda_{S\text{ max}}$	940	nm
Spectral range of sensitivity	(typ) $\lambda_{10\%}$	(typ) 300 ... 1100	nm
Radiant sensitive area	(typ) A	7.02	$\text{mm}^2$
Dimensions of radiant sensitive area	(typ) L x W	2.65 x 2.65	mm x mm
Half angle	(typ) $\varphi$	$\pm 60$	°
Dark current ( $V_R = 10\text{ V}$ )	(typ (max)) $I_R$	1 ( $\leq 25$ )	nA
Spectral sensitivity of the chip ( $\lambda = 950\text{ nm}$ )	(typ) $S_{\lambda\text{ typ}}$	0.7	A / W
Quantum yield of the chip ( $\lambda = 950\text{ nm}$ )	(typ) $\eta$	0.91	Electrons / Photon
Open-circuit voltage ( $E_v = 1000\text{ lx}$ , Std. Light A)	(typ (min)) $V_O$	365 ( $\geq 300$ )	mV
Short-circuit current ( $E_v = 1000\text{ lx}$ , Std. Light A)	(typ) $I_{sc}$	71	$\mu\text{A}$
Rise and fall time ( $V_R = 5\text{ V}$ , $R_L = 50\ \Omega$ , $\lambda = 850\text{ nm}$ , $I_P = 800\ \mu\text{A}$ )	(typ) $t_r, t_f$	0.04	$\mu\text{s}$
Forward voltage ( $I_F = 100\text{ mA}$ , $E = 0$ )	(typ) $V_F$	1	V
Capacitance ( $V_R = 0\text{ V}$ , $f = 1\text{ MHz}$ , $E = 0$ )	(typ) $C_0$	60	pF

Parameter		Symbol	Values	Unit
Temperature coefficient of $V_O$	(typ)	$TC_V$	-2.6	mV / K
Temperature coefficient of $I_{SC}$ ( $E_V = 1000 \text{ lx}$ , Std. Light A)	(typ)	$TC_I$	0.18	% / K
Noise equivalent power ( $V_R = 10 \text{ V}$ , $\lambda = 950 \text{ nm}$ )	(typ)	NEP	0.026	pW / $\text{Hz}^{1/2}$
Detection limit ( $V_R = 10 \text{ V}$ , $\lambda = 950 \text{ nm}$ )	(typ)	$D^*$	1.0e13	$\text{cm} \times \text{Hz}^{1/2} / \text{W}$

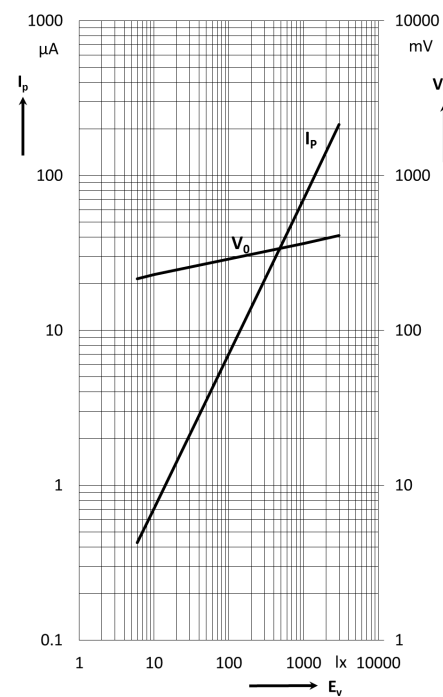
### Relative Spectral Sensitivity <sup>1) page 12</sup>

$$S_{\text{rel}} = f(\lambda)$$



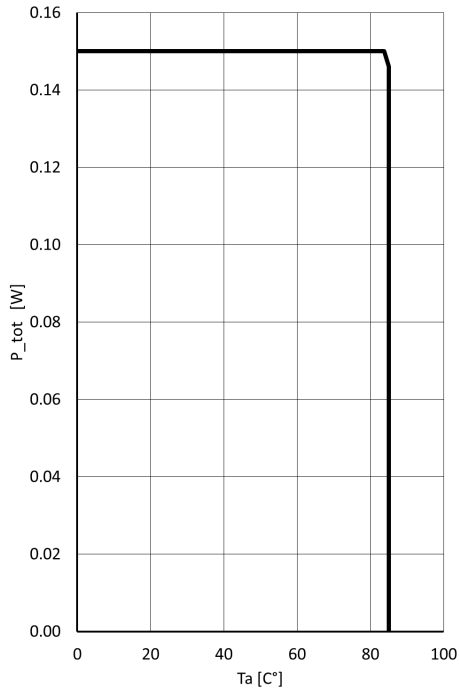
### Photocurrent / Open-Circuit Voltage <sup>1) page 12</sup>

$$I_P (V_R = 5 \text{ V}) / V_O = f(E_V)$$



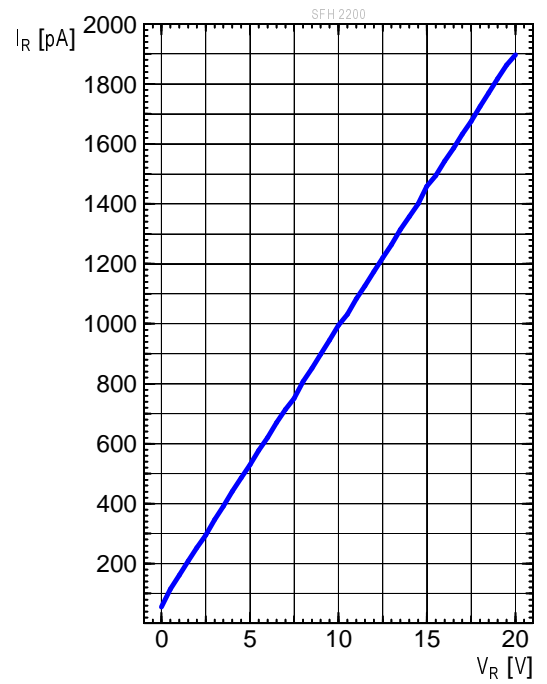
**Power Consumption**

$P_{tot} = f(T_A), R_{thJA} = 275 \text{ K/W}$



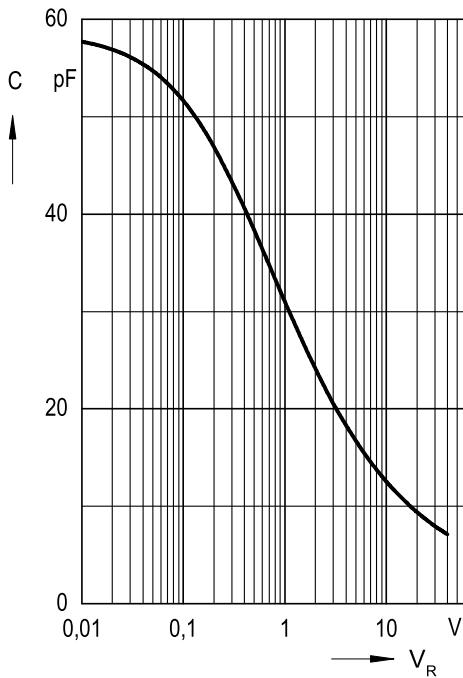
**Dark Current** <sup>1) page 12</sup>

$I_R = f(V_R), E = 0$



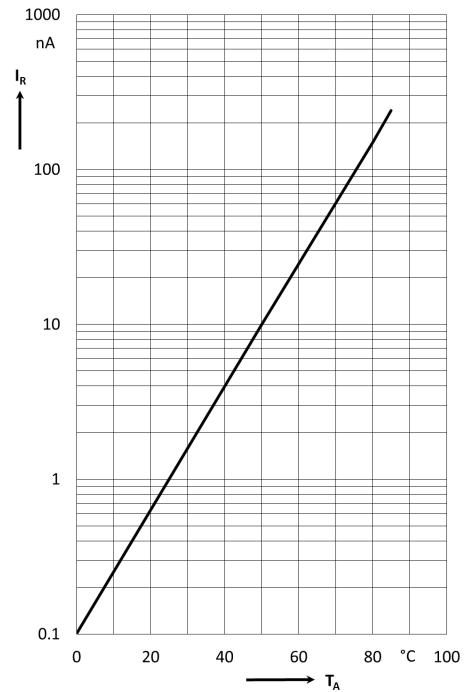
**Capacitance** <sup>1) page 12</sup>

$C = f(V_R), f = 1 \text{ MHz}, E = 0$



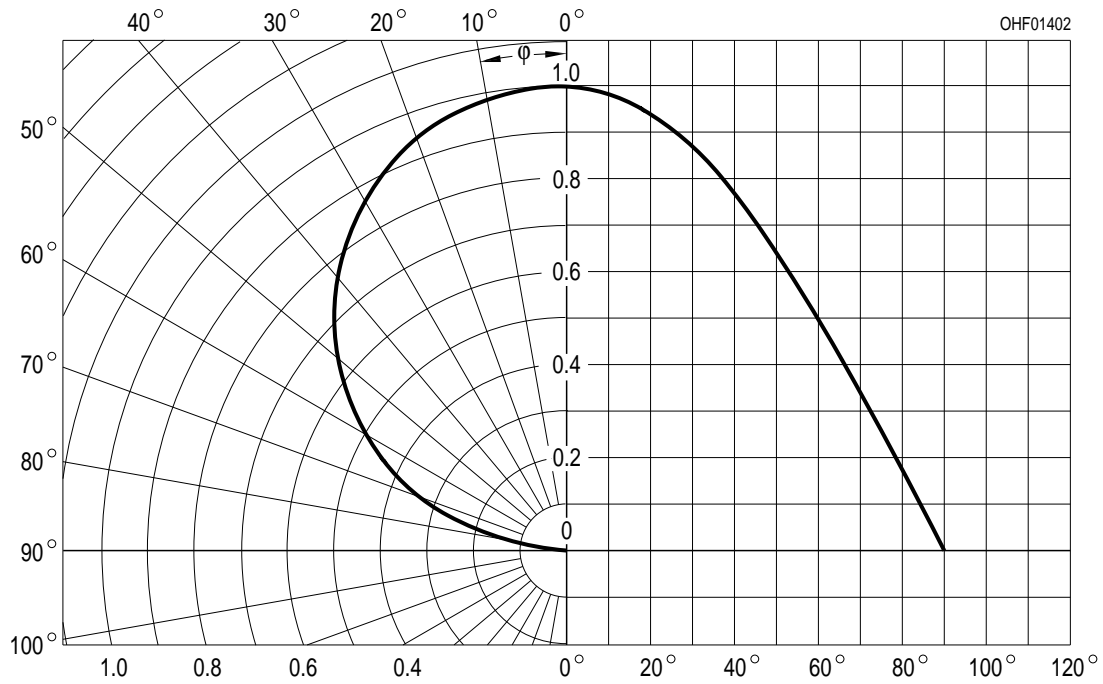
**Dark Current** <sup>1) page 12</sup>

$I_R = f(T_A), V_R = 10 \text{ V}, E = 0$

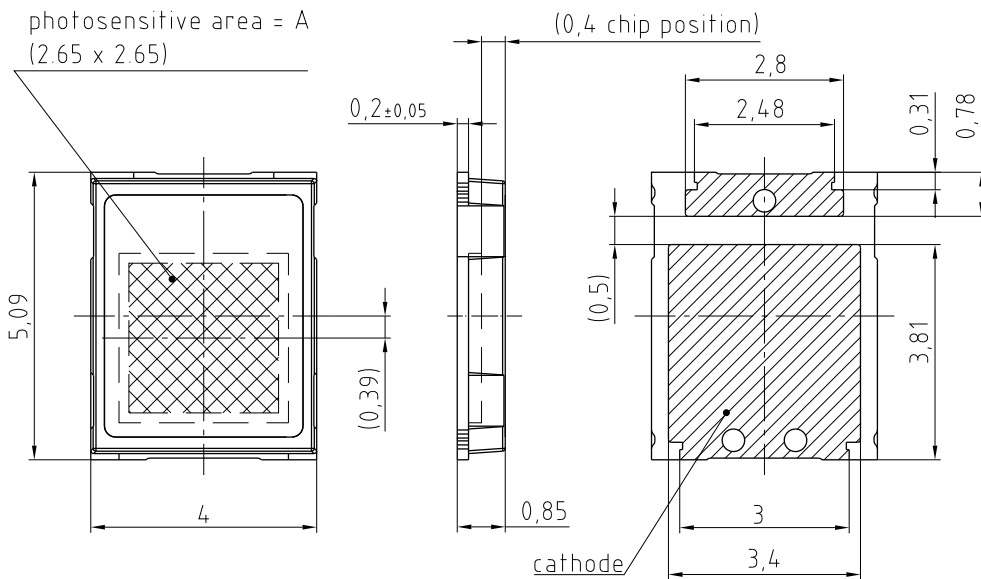


**Directional Characteristics** <sup>1) page 12</sup>

$S_{rel} = f(\phi)$



**Package Outline**



general tolerance  $\pm 0.1$   
 lead finish Au

C63062-A4306-A1-03

Dimensions in mm.

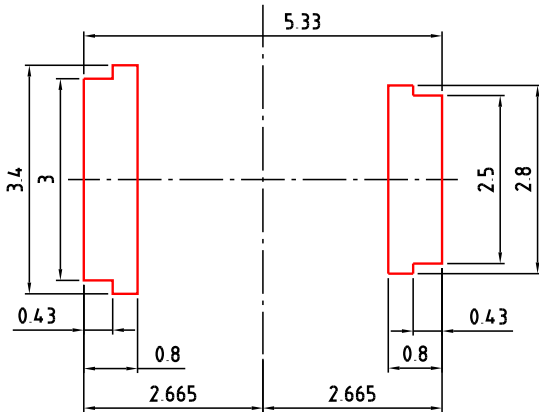
**Package**

TOPLED D5140, Silicone, colourless, clear

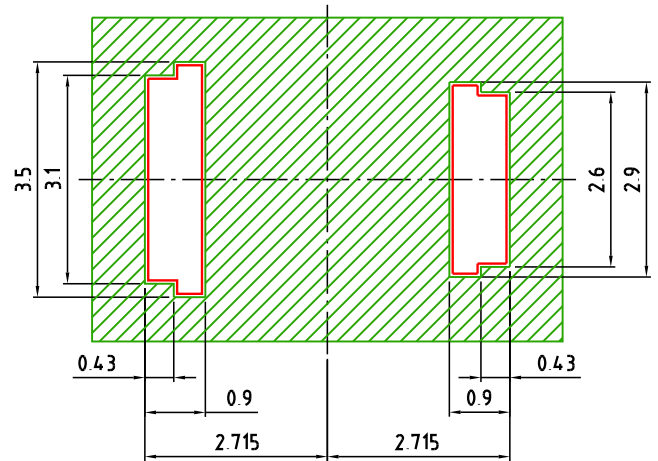
**Approximate Weight:**


46 mg

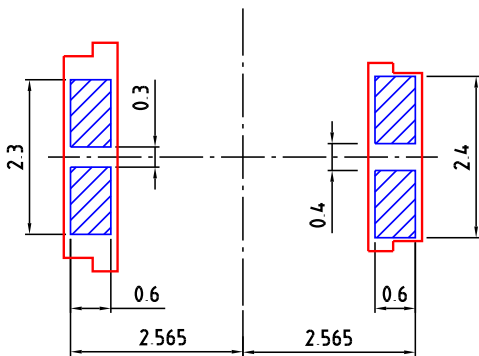
**Recommended Solder Pad**



 foot print

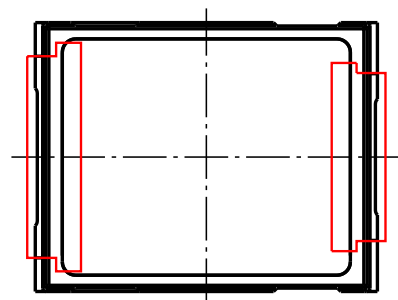


 solder resist



 solder stencil

**Component Location on Pad**



E062.3010.210-01

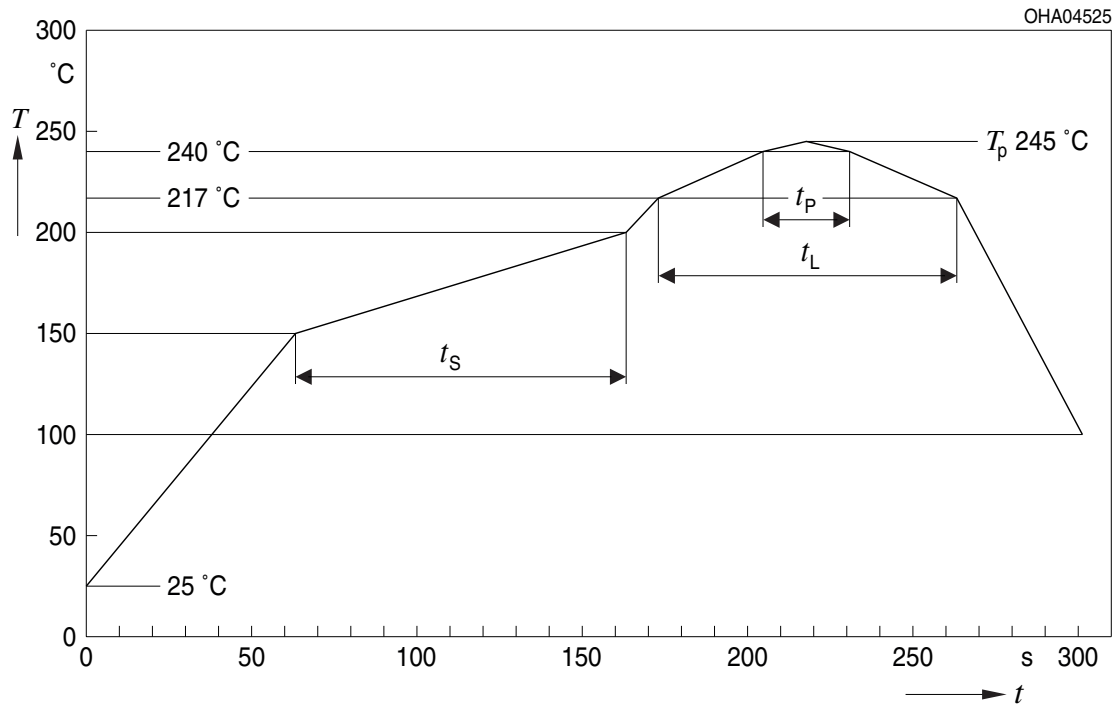
Dimensions in mm.

### Handling Indication

The package is casted with silicone. Mechanical stress at the silicone surface should be avoided. Pickup the device at the plastic frame.

### Reflow Soldering Profile

Product complies to MSL Level 2 acc. to JEDEC J-STD-020E



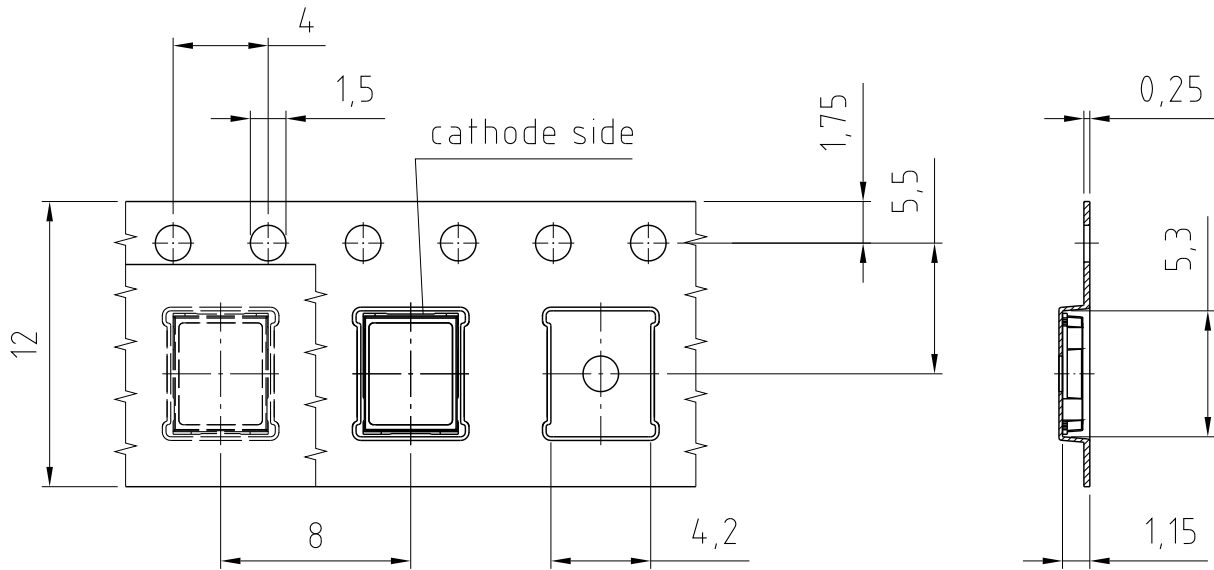
OHA04612

Profile Feature Profil-Charakteristik	Symbol Symbol	Pb-Free (SnAgCu) Assembly			Unit Einheit
		Minimum	Recommendation	Maximum	
Ramp-up rate to preheat*) 25 °C to 150 °C			2	3	K/s
Time $t_S$ $T_{Smin}$ to $T_{Smax}$	$t_S$	60	100	120	s
Ramp-up rate to peak*) $T_{Smax}$ to $T_P$			2	3	K/s
Liquidus temperature	$T_L$	217			°C
Time above liquidus temperature	$t_L$		80	100	s
Peak temperature	$T_P$		245	260	°C
Time within 5 °C of the specified peak temperature $T_P - 5$ K	$t_p$	10	20	30	s
Ramp-down rate* $T_P$ to 100 °C			3	6	K/s
Time 25 °C to $T_P$				480	s

All temperatures refer to the center of the package, measured on the top of the component

\* slope calculation  $DT/Dt$ :  $Dt$  max. 5 s; fulfillment for the whole T-range

Taping



C63062-A4306-B1-01

Dimensions in mm.

Tape and Reel

12 mm tape with 1500 pcs. on  $\varnothing$  180 mm reel





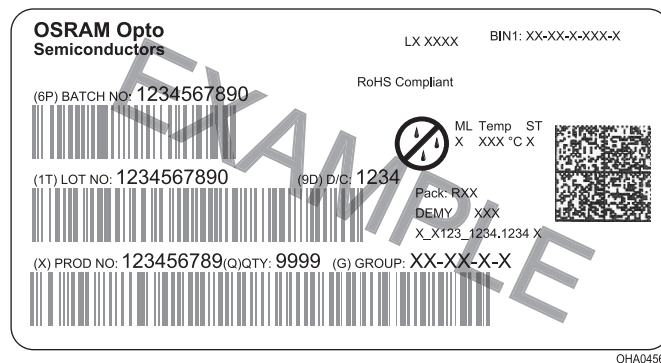
## Tape dimensions [mm]

W	P <sub>0</sub>	P <sub>1</sub>	P <sub>2</sub>	D <sub>0</sub>	E	F
12 + 0.3 / - 0.1	4 ± 0.1	4 ± 0.1 or 8 ± 0.1	2 ± 0.05	1.5 ± 0.1	1.75 ± 0.1	5.5 ± 0.05

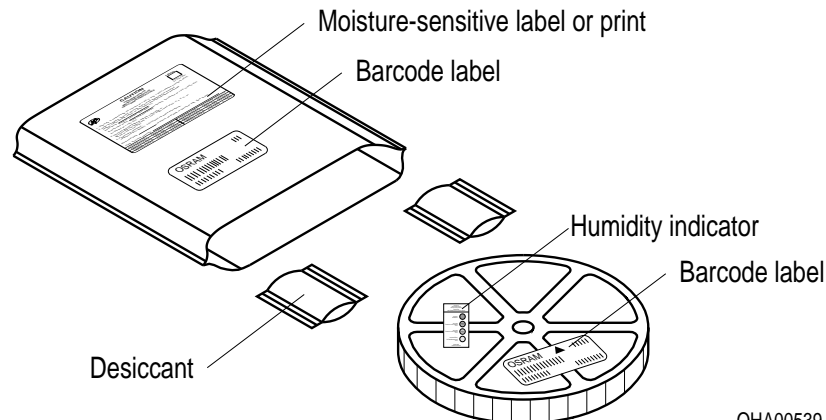
## Reel dimensions [mm]

A	W	N <sub>min</sub>	W <sub>1</sub>	W <sub>2max</sub>
180	12	60	12.4 + 2	18.4

## Barcode-Product-Label (BPL)



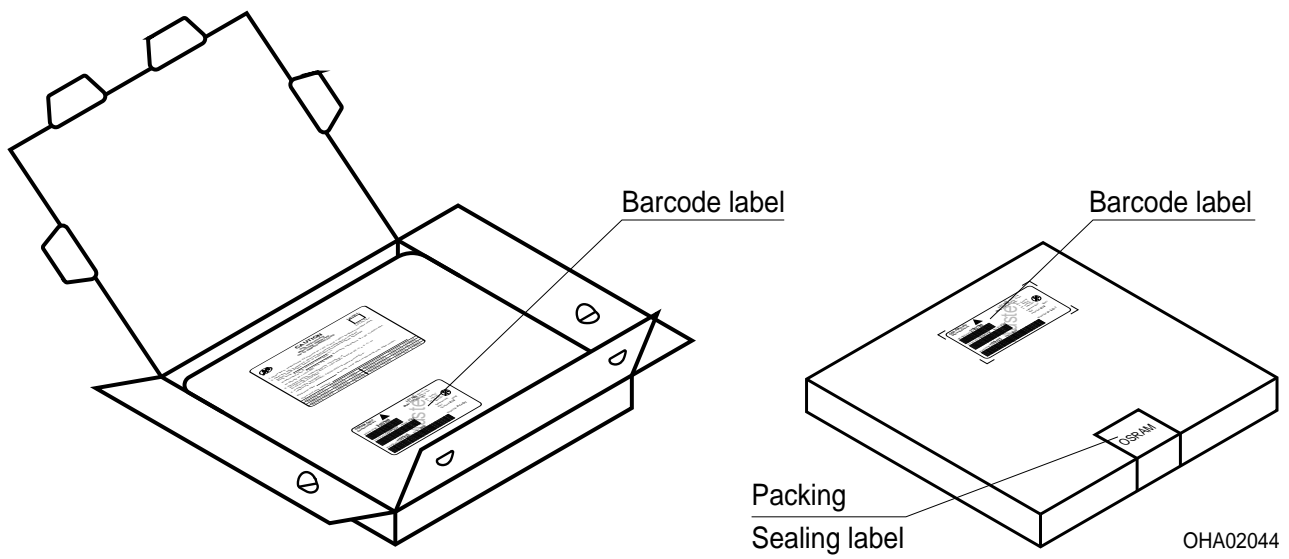
## Dry Packing Process and Materials



## Note:

Moisture-sensitive product is packed in a dry bag containing desiccant and a humidity card. Regarding dry pack you will find further information in the internet. Here you will also find the normative references like JEDEC.

## Transportation Packing and Materials



## Dimensions of transportation box in mm

Width	Length	Height
195 ± 5	195 ± 5	30 ± 5

**Disclaimer**

Language english will prevail in case of any discrepancies or deviations between the two language wordings.

**Attention please!**

The information describes the type of component and shall not be considered as assured characteristics.

Terms of delivery and rights to change design reserved. Due to technical requirements components may contain dangerous substances.

For information on the types in question please contact our Sales Organization.

If printed or downloaded, please find the latest version in the Internet.

**Packing**

Please use the recycling operators known to you. We can also help you – get in touch with your nearest sales office.

By agreement we will take packing material back, if it is sorted. You must bear the costs of transport. For packing material that is returned to us unsorted or which we are not obliged to accept, we shall have to invoice you for any costs incurred.

**Components used in life-support devices or systems must be expressly authorized for such purpose!**

Critical components\* may only be used in life-support devices\*\* or systems with the express written approval of OSRAM OS.

\*) A critical component is a component used in a life-support device or system whose failure can reasonably be expected to cause the failure of that life-support device or system, or to affect its safety or the effectiveness of that device or system.

\*\*) Life support devices or systems are intended (a) to be implanted in the human body, or (b) to support and/or maintain and sustain human life. If they fail, it is reasonable to assume that the health and the life of the user may be endangered.

**Glossary**

- <sup>1)</sup> **Typical Values:** Due to the special conditions of the manufacturing processes of LED, the typical data or calculated correlations of technical parameters can only reflect statistical figures. These do not necessarily correspond to the actual parameters of each single product, which could differ from the typical data and calculated correlations or the typical characteristic line. If requested, e.g. because of technical improvements, these typ. data will be changed without any further notice.

**Published by OSRAM Opto Semiconductors GmbH**  
**Leibnizstraße 4, D-93055 Regensburg**  
**www.osram-os.com © All Rights Reserved.**

EU RoHS and China RoHS compliant product



此产品符合欧盟 RoHS 指令的要求；  
按照中国的相关法规和标准，不含有毒有害物质或元素。