

**PLEASE CHECK WWW.MOLEX.COM FOR LATEST PART INFORMATION**

**Part Number:** [0097000001](#)  
**Status:** **Active**  
**Overview:** [kk](#)  
**Description:** KK® Cat Ear Crimp Terminal 4809, 22-30 AWG, Un-plated, Reel

**Documents:**

[Drawing \(PDF\)](#) [RoHS Certificate of Compliance \(PDF\)](#)  
[Product Specification PS-99020-0088 \(PDF\)](#)

**General**

Product Family	Crimp Terminals
Series	<a href="#">4809</a>
Crimp Quality Equipment	Yes
Overview	<a href="#">kk</a>
Product Name	Cat Ear, KK®

**Physical**

Durability (mating cycles max)	25
Gender	Female
Material - Metal	Brass
Material - Plating Mating	Tin
Material - Plating Termination	Tin
Packaging Type	Reel
Plating min: Mating (µin)	40
Plating min: Mating (µm)	1.00
Plating min: Termination (µin)	40
Plating min: Termination (µm)	1.00
Termination Interface: Style	Crimp or Compression
Wire Insulation Diameter	1.57mm (.062") max
Wire Size AWG	22, 24, 26, 28, 30
Wire Size mm²	N/A

**Electrical**

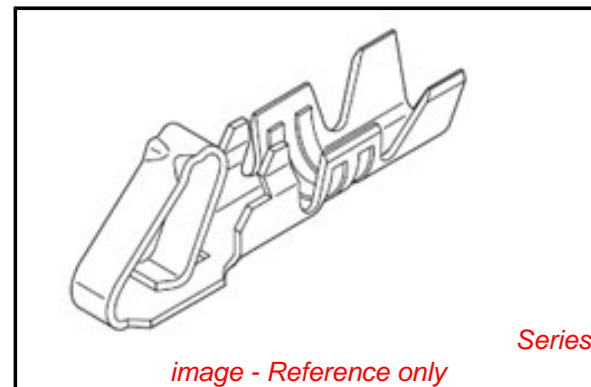
Current - Maximum per Contact	3A
Voltage - Maximum	250V

**Material Info**

Old Part Number	4809CP902BF
-----------------	-------------

**Reference - Drawing Numbers**

Product Specification	PS-99020-0088
Sales Drawing	SD-4809C-(***)*



*image - Reference only*

**EU RoHS**

**ELV and RoHS  
Compliant**  
**REACH SVHC  
Contains SVHC: No**  
**Halogen-Free  
Status**

**China RoHS**



**Need more information on product  
environmental compliance?**

Email [productcompliance@molex.com](mailto:productcompliance@molex.com)  
 For a multiple part number RoHS Certificate of Compliance, [click here](#)

Please visit the [Contact Us](#) section for any non-product compliance questions.

**Search Parts in this Series**

[4809Series](#)

**Mates With**

Molex KK 2.54mm (.100") pitch headers and 0.04mm (.025") pins

**Use With**

5051, 6471

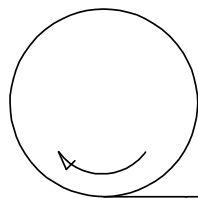
**Application Tooling | FAQ**

*Tooling specifications and manuals are found by selecting the products below. Crimp Height Specifications are then contained in the Application Tooling Specification document.*

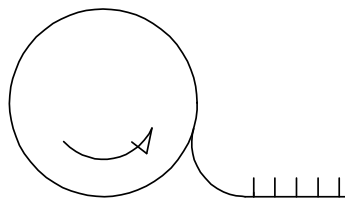
**Global**

Description	Product #
Extraction Tool	<a href="#">0011030022</a>
Insertion Tool	<a href="#">0638120000</a>

**PLEASE CHECK [WWW.MOLEX.COM](http://WWW.MOLEX.COM) FOR LATEST PART INFORMATION**



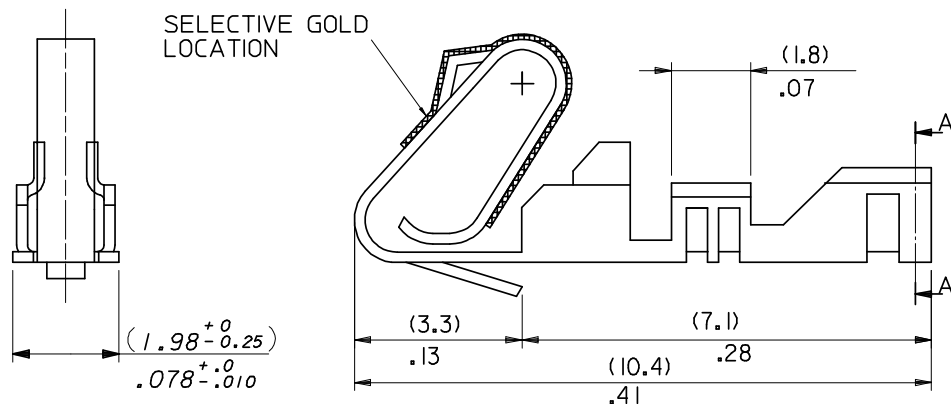
'A' WINDING REEL  
PER ES 339



'B' WINDING REEL  
PER ES 339

FINISH NOTES:

- (999) - UNPLATED
- (P902) - HOT TIN (1.0 - 2.5um) 0.000040" - 0.000100"
- (102) - OVERALL ELECTRO TIN (5.0um) 0.00020" MIN OVERALL COPPER (3.0um) 0.00013" MIN
- (555) - SELECTIVE GOLD (0.38um) 0.000015" MIN OVERALL NICKEL (0.75um) 0.000030" MIN

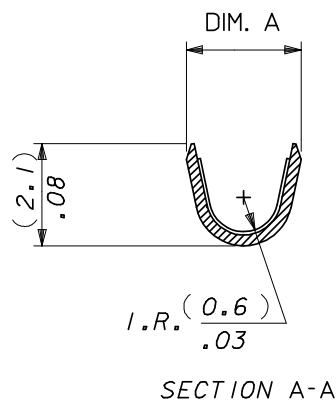


08-55-0112	4809C-(555)M	CHAIN	(555)	(2.2)/.087 REF
08-50-0030	4809C-(P902)M	CHAIN	(P902)	(2.2)/.087 REF
08-50-0031	4809C-(P902)	CHAIN	(P902)	(2.1)/.083 REF
08-50-0032	4809C-(P902)L	LOOSE	(P902)	(2.1)/.083 REF
97-00-0450	4809C-(999)	CHAIN	(999)	(2.1)/.083 REF
97-00-0451	4809C-(999)L	LOOSE	(999)	(2.1)/.083 REF
PART No	ENG No	FORM	SEE FINISH NOTES	DIM . A
'B' WINDING PER E.S. 339 (CHAIN ONLY)				

97-00-0001	4809C-(P902)BF	CHAIN	(P902)	(2.1)/.083 REF
PART No	ENG No	FORM	SEE FINISH NOTES	DIM . A
'A' WINDING PER E.S. 339				

NOTES:

1. SAME AS SD-4809-\* EXCEPT WITH CAT EARS.
2. FOR 22-30 GAUGE WIRE & (1.57)/.062 DIA. INSULATION MAX.
3. THIS PART CONFORMS TO MOLEX PRODUCT SPEC. PS-99020-0088.
4. MATERIAL (0.20 ±0.01)/.008 ±.0004 THICK BRASS, ALLOY: 260 TENSILE: 85-95M PSI



ADDED END VIEW EC NO: E2007-0218 DRWN: JDENNEY 2006/09/15 CHKD: DMORLARTY 2006/09/15 APPR: JDENNEY 2006/10/11	DESCRIPTION REV	QUALITY SYMBOLS ▽=0 ▽=0	GENERAL TOLERANCES (UNLESS SPECIFIED)		DIMENSION STYLE MM/IN		SCALE NTS	DESIGN UNITS METRIC	THIRD ANGLE PROJECTION	
			4 PLACES ± --- ± --- 3 PLACES ± --- ± .010 2 PLACES ± 0.25 ± .020 1 PLACE ± 0.51 ± --- ANGULAR ± --- °	DRAWN BY AOD CHECKED BY DMORLARTY APPROVED BY JDENNEY	DATE 1999/02/20 DATE 2004/10/18 DATE 2004/10/19	TITLE ANTI FISH HOOKING TERMINAL KK,(2.50)/.100 WITH CAT EARS			MOLEX MOLEX INCORPORATED	
DRAFT WHERE APPLICABLE MUST REMAIN WITHIN DIMENSIONS			SEE CHART		MATERIAL NO. DOCUMENT NO. SD-4809C-(***)*		SHEET NO. 1 OF 1		THIS DRAWING CONTAINS INFORMATION THAT IS PROPRIETARY TO MOLEX INCORPORATED AND SHOULD NOT BE USED WITHOUT WRITTEN PERMISSION	