

6

5

4

3

2

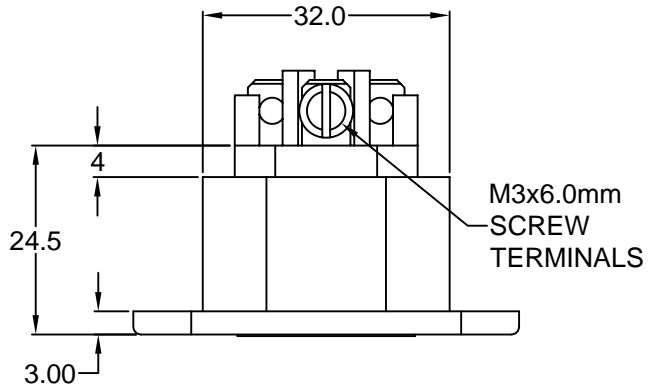
1

**MATERIAL AND FINISH:**

Insulator: Polycarbonate, UL-94V-0 rated  
Contacts: Brass  
Screw: Brass, Nickel Plated over Copper  
Nut: Brass, Nickel Plated

**ELECTRICAL SPECIFICATIONS:**

Current rating: 10 A/15 A  
Voltage rating: 250 VAC  
Insulation resistance: 100 Mohm min. at 500 VDC  
Dielectric withstanding voltage: 2000 VAC for one minute



**ORDERING CODE:**

43R02-1    1     
          1    2

**1) COLOR**

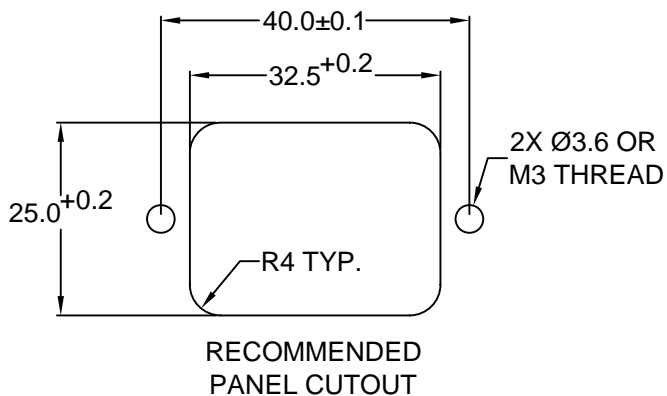
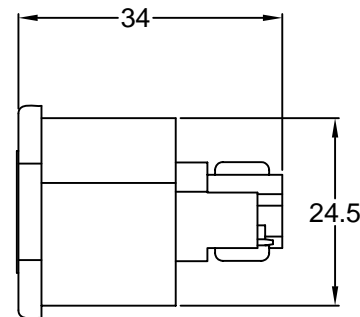
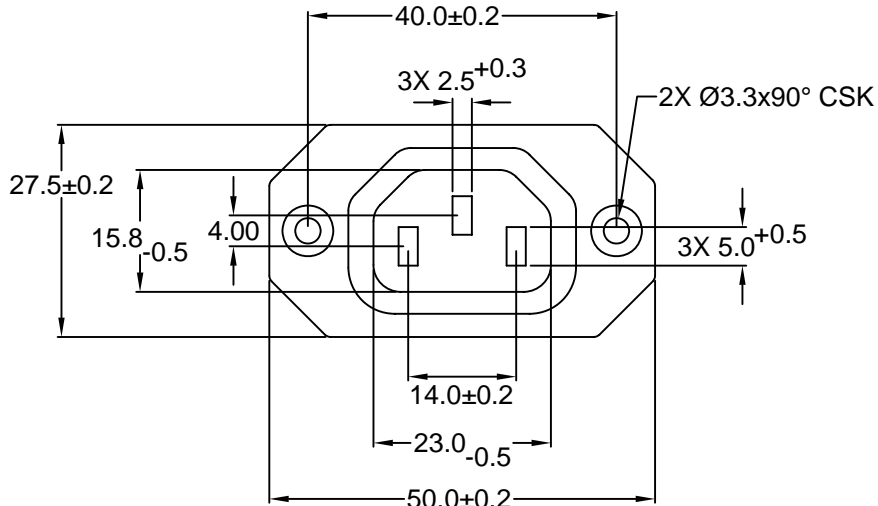
1 = BLACK  
2 = GRAY

**2) ELECTRICAL CIRCUIT CONFIGURATION**

1 = 10A 250V 70°C

15A 250V 70°C

2 = 10A 250V 120°C   
15A 250V 120°C



RoHS  
COMPLIANT

|   |          |
|---|----------|
| TOLERANCE<br>UNLESS OTHERWISE SPECIFIED |          |
| X                                       | ± 1      |
| X.X                                     | ± 0.4    |
| X.XX                                    | ± 0.20   |
| DRAWN BY                                | GQ       |
| DATE:                                   | 10/04/01 |
| CHECK BY                                | TD       |
| DATE:                                   | 10/09/01 |
| APPR BY                                 | PB       |
| DATE:                                   | 10/09/01 |

**Power Dynamics, Inc.**  
Phone: 973 560-0019 Whippany, New Jersey Fax: 973 560-0076

PART: 10A/15A IEC 60320 APPL. OUTLET; SCREW TERMINALS; SIDE FLANGE, PANEL MOUNT

PART #: **43R02-1X1X** SHEET 1 of 1

SCALE: NTS ALL DIMENSIONS FOR REFERENCE ONLY DIMENSIONS ARE IN MILLIMETERS REV:

D

C

B

A

|           |        |       |      |
|-----------|--------|-------|------|
| REVISIONS | CHNG   | CHECK | APPR |
|           | CHANGE |       |      |
|           | DATE   |       |      |
|           | REV    |       |      |

6

5

4

3

2

1