

2M × 8-Bit Dynamic RAM 2k Refresh (Hyper Page Mode-EDO)

HYB 5117805/BSJ-50/-60
HYB 3117805/BSJ-50/-60

Advanced Information

- 2 097 152 words by 8-bit organization
- 0 to 70 °C operating temperature
- Hyper Page Mode-EDO-operation
- Performance:

| | | -50 | -60 | |
|-----------|----------------------------------|-----|-----|----|
| t_{RAC} | RAS access time | 50 | 60 | ns |
| t_{CAC} | CAS access time | 13 | 15 | ns |
| t_{AA} | Access time from address | 25 | 30 | ns |
| t_{RC} | Read/Write cycle time | 84 | 104 | ns |
| t_{HPC} | Hyper page mode (EDO) cycle time | 20 | 25 | ns |

- Power dissipation:

| | HYB 5117805 | | HYB 3117805 | | |
|--------------|-------------|-----|-------------|-----|----|
| | -50 | -60 | -50 | -60 | |
| Power Supply | 5 ± 10% | | 3.3 ± 0.3 V | | |
| Active | 440 | 385 | 288 | 252 | mW |
| TTL Standby | 11 | | 7.2 | | mW |
| CMOS Standby | 5.5 | | 3.6 | | mW |

- Read, write, read-modify-write, \overline{CAS} -before- \overline{RAS} refresh, \overline{RAS} -only refresh, hidden refresh and test mode
- All inputs, outputs and clocks fully TTL (5 V versions) and LV-TTL (3.3 V version)-compatible
- 2048 refresh cycles / 32 ms (2k-refresh)
- Plastic Package: P-SOJ-28-3 400 mil

The HYB 5(3)117805 are 16 MBit dynamic RAMs based on the die revisions "G" & "F" and organized as 2 097 152 words by 8-bits. The HYB 5(3)117805 utilizes a submicron CMOS silicon gate process technology, as well as advanced circuit techniques to provide wide operating margins, both internally and for the system user. Multiplexed address inputs permit the HYB 5(3)117805BJ to be packaged in a standard SOJ-28 plastic packages. Package with 400 mil width are available. These packages provide high system bit densities and are compatible with commonly used automatic testing and insertion equipment.

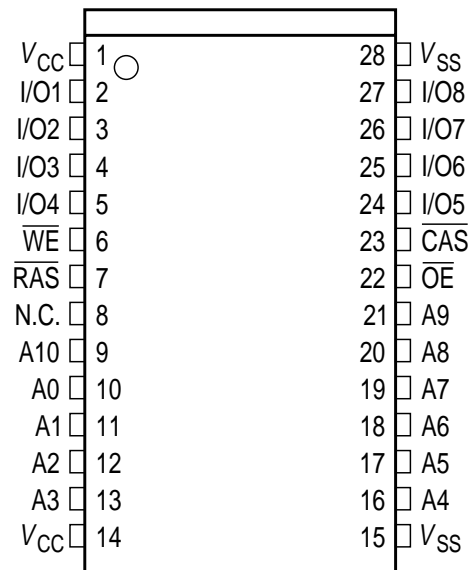
Ordering Information

| Type | Ordering Code | Package | Descriptions |
|-------------------|---------------|--------------------|----------------------|
| HYB 5117805BSJ-50 | Q67100-Q1104 | P-SOJ-28-3 400 mil | 5 V 50 ns EDO-DRAM |
| HYB 5117805BSJ-60 | Q67100-Q1105 | P-SOJ-28-3 400 mil | 5 V 60 ns EDO-DRAM |
| HYB 3117805BSJ-50 | on request | P-SOJ-28-3 400 mil | 3.3 V 50 ns EDO-DRAM |
| HYB 3117805BSJ-60 | on request | P-SOJ-28-3 400 mil | 3.3 V 60 ns EDO-DRAM |

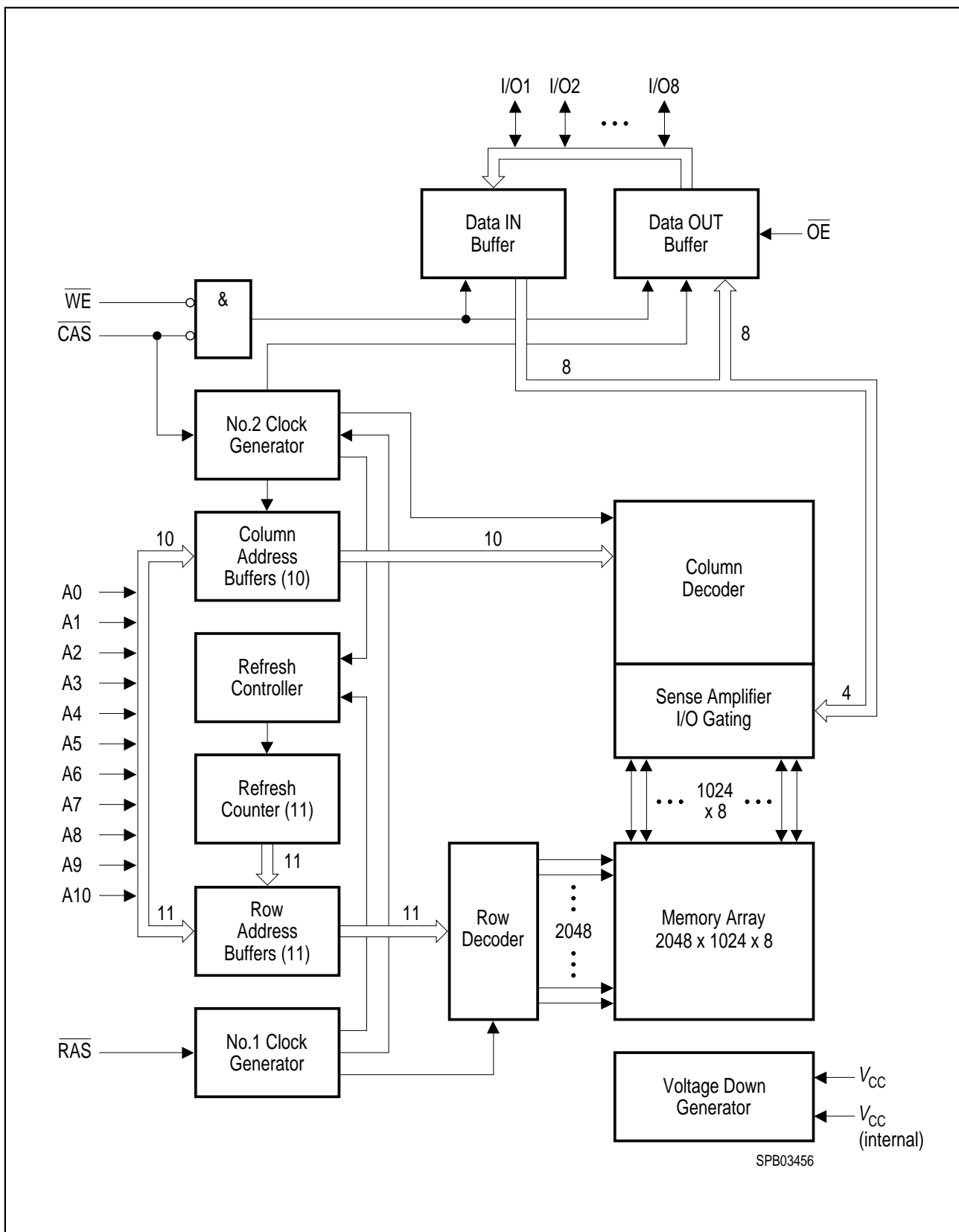
Pin Names and Configuration

| | |
|-------------------------|--|
| A0 - A10 | Row Address Inputs |
| A0 - A9 | Column Address Inputs |
| $\overline{\text{RAS}}$ | Row Address Strobe |
| $\overline{\text{OE}}$ | Output Enable |
| I/O1 - I/O8 | Data Input/Output |
| $\overline{\text{CAS}}$ | Column Address Strobe |
| $\overline{\text{WE}}$ | Read/Write Input |
| V_{CC} | Power Supply + 5 V for HYB 5117800 + 3.3 V for HYB 3117805 |
| V_{SS} | Ground (0 V) |
| N.C. | Not Connected |

P-SOJ-28 400 mil



SPP02803



Block Diagram

Absolute Maximum Ratings

Operating temperature range 0 to 70 °C
 Storage temperature range..... – 55 to 150 °C
 Input/output voltage (5 V versions) – 0.5 to min ($V_{CC} + 0.5, 7.0$) V
 Input/output voltage (3.3 V versions) – 0.5 to min ($V_{CC} + 0.5, 4.6$) V
 Power supply voltage (5 V versions) – 1.0 V to 7.0 V
 Power supply voltage (3.3 V versions) – 1.0 V to 4.6 V
 Power dissipation (5 V versions) 1.0 W
 Power dissipation (3.3 V versions) 0.5 W
 Data out current (short circuit) 50 mA

Note: Stresses above those listed under “Absolute Maximum Ratings” may cause permanent damage of the device. Exposure to absolute maximum rating conditions for extended periods may affect device reliability.

DC Characteristics

$T_A = 0$ to 70 °C, $V_{SS} = 0$ V, $t_T = 2$ ns

| Parameter | Symbol | Limit Values | | Unit | Test Condition |
|-----------|--------|--------------|------|------|----------------|
| | | min. | max. | | |

5 V Versions

| | | | | | |
|--|----------|-------|----------------|---|---|
| Power supply voltage | V_{CC} | 4.5 | 5.5 | V | |
| Input high voltage | V_{IH} | 2.4 | $V_{CC} + 0.5$ | V | 1 |
| Input low voltage | V_{IL} | – 0.5 | 0.8 | V | 1 |
| Output high voltage ($I_{OUT} = -5$ mA) | V_{OH} | 2.4 | – | V | 1 |
| Output low voltage ($I_{OUT} = 4.2$ mA) | V_{OL} | – | 0.4 | V | 1 |

3.3 V Versions

| | | | | | |
|---|----------|----------------|----------------|---|---|
| Power supply voltage | V_{CC} | 3.0 | 3.6 | V | |
| Input high voltage | V_{IH} | 2.0 | $V_{CC} + 0.5$ | V | 1 |
| Input low voltage | V_{IL} | – 0.5 | 0.8 | V | 1 |
| TTL Output high voltage ($I_{OUT} = -2$ mA) | V_{OH} | 2.4 | – | V | 1 |
| TTL Output low voltage ($I_{OUT} = 2$ mA) | V_{OL} | – | 0.4 | V | 1 |
| CMOS Output high voltage ($I_{OUT} = -100$ μA) | V_{OH} | $V_{CC} - 0.2$ | – | V | |
| CMOS Output low voltage ($I_{OUT} = 100$ μA) | V_{OL} | – | 0.2 | V | |

Common Parameters

| | | | | | |
|--|------------|------|----|----|---|
| Input leakage current ($0\text{ V} \leq V_{IH} \leq V_{CC} + 0.3\text{ V}$, all other pins = 0 V) | $I_{I(L)}$ | – 10 | 10 | μA | 1 |
| Output leakage current (DO is disabled, $0\text{ V} \leq V_{OUT} \leq V_{CC} + 0.3\text{ V}$) | $I_{O(L)}$ | – 10 | 10 | μA | 1 |

DC Characteristics (cont'd)

$T_A = 0$ to 70 °C, $V_{SS} = 0$ V, $t_T = 2$ ns

| Parameter | Symbol | Limit Values | | Unit | Test Condition |
|--|-----------|--------------|----------|----------|--------------------|
| | | min. | max. | | |
| Average V_{CC} supply current -50 ns version -60 ns version (\overline{RAS} , \overline{CAS} , address cycling: $t_{RC} = t_{RC\ MIN.}$) | I_{CC1} | – | 80 70 | mA mA | 2, 3, 4 2, 3, 4 |
| Standby V_{CC} supply current ($\overline{RAS} = \overline{CAS} = V_{IH}$) | I_{CC2} | – | 2 | mA | – |
| Average V_{CC} supply current, during \overline{RAS} -only refresh cycles -50 ns version -60 ns version (\overline{RAS} cycling, $\overline{CAS} = V_{IH}$, $t_{RC} = t_{RC\ MIN.}$) | I_{CC3} | – | 80 70 | mA mA | 2, 4 2, 4 |
| Average V_{CC} supply current, during hyper page mode (EDO) -50 ns version -60 ns version ($\overline{RAS} = V_{IL}$, \overline{CAS} , address cycling: $t_{PC} = t_{PC\ MIN.}$) | I_{CC4} | – | 35 30 | mA mA | 2, 3, 4 2, 3, 4 |
| Standby V_{CC} supply current ($\overline{RAS} = \overline{CAS} = V_{CC} - 0.2$ V) | I_{CC5} | – | 1 | mA | 1 |
| Average V_{CC} supply current, during \overline{CAS} -before-RAS refresh mode -50 ns version -60 ns version (\overline{RAS} , \overline{CAS} cycling: $t_{RC} = t_{RC\ MIN.}$) | I_{CC6} | – | 80 70 | mA mA | 2, 4 2, 4 |

Capacitance

$T_A = 0$ to 70 °C, $V_{CC} = 5$ V \pm 10 %, $f = 1$ MHz

| Parameter | Symbol | Limit Values | | Unit |
|---|----------|--------------|------|------|
| | | min. | max. | |
| Input capacitance (A0 to A10) | C_{I1} | – | 5 | pF |
| Input capacitance (\overline{RAS} , \overline{CAS} , \overline{WE} , \overline{OE}) | C_{I2} | – | 7 | pF |
| I/O capacitance (I/O1 - I/O8) | C_{I0} | – | 7 | pF |

AC Characteristics ^{5,6}

$T_A = 0$ to 70 °C, $V_{CC} = 5\text{ V} \pm 10\%$ / $V_{CC} = 3.3\text{ V} \pm 0.3\text{ V}$, $t_T = 2\text{ ns}$

| Parameter | Symbol | Limit Values | | | | Unit | Note |
|-----------|--------|--------------|------|------|------|------|------|
| | | -50 | | -60 | | | |
| | | min. | max. | min. | max. | | |

Common Parameters

| | | | | | | | |
|---|-----------|----|-----|-----|-----|----|--------------|
| Random read or write cycle time | t_{RC} | 84 | – | 104 | – | ns | |
| $\overline{\text{RAS}}$ precharge time | t_{RP} | 30 | – | 40 | – | ns | |
| $\overline{\text{RAS}}$ pulse width | t_{RAS} | 50 | 10k | 60 | 10k | ns | |
| $\overline{\text{CAS}}$ pulse width | t_{CAS} | 8 | 10k | 10 | 10k | ns | |
| Row address setup time | t_{ASR} | 0 | – | 0 | – | ns | |
| Row address hold time | t_{RAH} | 8 | – | 10 | – | ns | |
| Column address setup time | t_{ASC} | 0 | – | 0 | – | ns | |
| Column address hold time | t_{CAH} | 8 | – | 10 | – | ns | |
| $\overline{\text{RAS}}$ to $\overline{\text{CAS}}$ delay time | t_{RCD} | 12 | 37 | 14 | 45 | ns | |
| $\overline{\text{RAS}}$ to column address delay | t_{RAD} | 10 | 25 | 12 | 30 | ns | |
| $\overline{\text{RAS}}$ hold time | t_{RSH} | 13 | – | 15 | – | ns | |
| $\overline{\text{CAS}}$ hold time | t_{CSH} | 40 | – | 50 | – | ns | |
| $\overline{\text{CAS}}$ to $\overline{\text{RAS}}$ precharge time | t_{CRP} | 5 | – | 5 | – | ns | |
| Transition time (rise and fall) | t_T | 1 | 50 | 1 | 50 | ns | ⁷ |
| Refresh period | t_{REF} | – | 32 | – | 32 | ms | |

Read Cycle

| | | | | | | | |
|--|-----------|----|----|----|----|----|---------------|
| Access time from $\overline{\text{RAS}}$ | t_{RAC} | – | 50 | – | 60 | ns | 8, 9 |
| Access time from $\overline{\text{CAS}}$ | t_{CAC} | – | 13 | – | 15 | ns | 8, 9 |
| Access time from column address | t_{AA} | – | 25 | – | 30 | ns | 8, 10 |
| $\overline{\text{OE}}$ access time | t_{OEA} | – | 13 | – | 15 | ns | |
| Column address to $\overline{\text{RAS}}$ lead time | t_{RAL} | 25 | – | 30 | – | ns | |
| Read command setup time | t_{RCS} | 0 | – | 0 | – | ns | |
| Read command hold time | t_{RCH} | 0 | – | 0 | – | ns | ¹¹ |
| Read command hold time referenced to $\overline{\text{RAS}}$ | t_{RRH} | 0 | – | 0 | – | ns | ¹¹ |
| $\overline{\text{CAS}}$ to output in low-Z | t_{CLZ} | 0 | – | 0 | – | ns | ⁸ |
| Output buffer turn-off delay | t_{OFF} | 0 | 13 | 0 | 15 | ns | ¹² |
| Output turn-off delay from $\overline{\text{OE}}$ | t_{OEZ} | 0 | 13 | 0 | 15 | ns | ¹² |

AC Characteristics (cont'd) ^{5, 6}

$T_A = 0$ to 70 °C, $V_{CC} = 5$ V \pm 10 % / $V_{CC} = 3.3$ V \pm 0.3 V, $t_T = 2$ ns

| Parameter | Symbol | Limit Values | | | | Unit | Note |
|--|-----------|--------------|------|------|------|------|------|
| | | -50 | | -60 | | | |
| | | min. | max. | min. | max. | | |
| Data to $\overline{\text{CAS}}$ low delay | t_{DZC} | 0 | – | 0 | – | ns | 13 |
| Data to $\overline{\text{OE}}$ low delay | t_{DZO} | 0 | – | 0 | – | ns | 13 |
| $\overline{\text{CAS}}$ high to data delay | t_{CDD} | 10 | – | 13 | – | ns | 14 |
| $\overline{\text{OE}}$ high to data delay | t_{ODD} | 10 | – | 13 | – | ns | 14 |

Write Cycle

| | | | | | | | |
|--|-----------|---|---|----|---|----|----|
| Write command hold time | t_{WCH} | 8 | – | 10 | – | ns | |
| Write command pulse width | t_{WCP} | 8 | – | 10 | – | ns | |
| Write command setup time | t_{WCS} | 0 | – | 0 | – | ns | 15 |
| Write command to $\overline{\text{RAS}}$ lead time | t_{RWL} | 8 | – | 10 | – | ns | |
| Write command to $\overline{\text{CAS}}$ lead time | t_{CWL} | 8 | – | 10 | – | ns | |
| Data setup time | t_{DS} | 0 | – | 0 | – | ns | 16 |
| Data hold time | t_{DH} | 8 | – | 10 | – | ns | 16 |

Read-Modify-Write Cycle

| | | | | | | | |
|--|-----------|-----|---|-----|---|----|----|
| Read-write cycle time | t_{RWC} | 113 | – | 138 | – | ns | |
| $\overline{\text{RAS}}$ to $\overline{\text{WE}}$ delay time | t_{RWD} | 64 | – | 77 | – | ns | 15 |
| $\overline{\text{CAS}}$ to $\overline{\text{WE}}$ delay time | t_{CWD} | 27 | – | 32 | – | ns | 15 |
| Column address to $\overline{\text{WE}}$ delay time | t_{AWD} | 39 | – | 47 | – | ns | 15 |
| $\overline{\text{OE}}$ command hold time | t_{OEH} | 10 | – | 13 | – | ns | |

Hyper Page Mode (EDO) Cycle

| | | | | | | | |
|--|------------|----|------|----|------|----|---|
| Hyper page mode (EDO) cycle time | t_{HPC} | 20 | – | 25 | – | ns | |
| $\overline{\text{CAS}}$ precharge time | t_{CP} | 8 | – | 10 | – | ns | |
| Access time from $\overline{\text{CAS}}$ precharge | t_{CPA} | – | 27 | – | 32 | ns | 7 |
| Output data hold time | t_{COH} | 5 | – | 5 | – | ns | |
| $\overline{\text{RAS}}$ pulse width in EDO mode | t_{RAS} | 50 | 200k | 60 | 200k | ns | |
| $\overline{\text{CAS}}$ precharge to $\overline{\text{RAS}}$ delay | t_{RHCP} | 27 | – | 32 | – | ns | |
| $\overline{\text{OE}}$ setup time prior to $\overline{\text{CAS}}$ | t_{OES} | 5 | – | 5 | – | 5 | |

AC Characteristics (cont'd) ^{5, 6}

$T_A = 0$ to 70 °C, $V_{CC} = 5$ V \pm 10 % / $V_{CC} = 3.3$ V \pm 0.3 V, $t_T = 2$ ns

| Parameter | Symbol | Limit Values | | | | Unit | Note |
|-----------|--------|--------------|------|------|------|------|------|
| | | -50 | | -60 | | | |
| | | min. | max. | min. | max. | | |

Hyper Page Mode (EDO) Read-Modify-Write Cycle

| | | | | | | | |
|---|------------|----|---|----|---|----|--|
| Hyper page mode (EDO) read-write cycle time | t_{PRWC} | 58 | – | 68 | – | ns | |
| \overline{CAS} precharge to \overline{WE} | t_{CPWD} | 41 | – | 49 | – | ns | |

\overline{CAS} -before- \overline{RAS} Refresh Cycle

| | | | | | | | |
|---|-----------|----|---|----|---|----|--|
| \overline{CAS} setup time | t_{CSR} | 10 | – | 10 | – | ns | |
| \overline{CAS} hold time | t_{CHR} | 10 | – | 10 | – | ns | |
| \overline{RAS} to \overline{CAS} precharge time | t_{RPC} | 5 | – | 5 | – | ns | |
| Write to \overline{RAS} precharge time | t_{WRP} | 10 | – | 10 | – | ns | |
| Write hold time referenced to \overline{RAS} | t_{WRH} | 10 | – | 10 | – | ns | |

\overline{CAS} -before- \overline{RAS} Counter Test Cycle

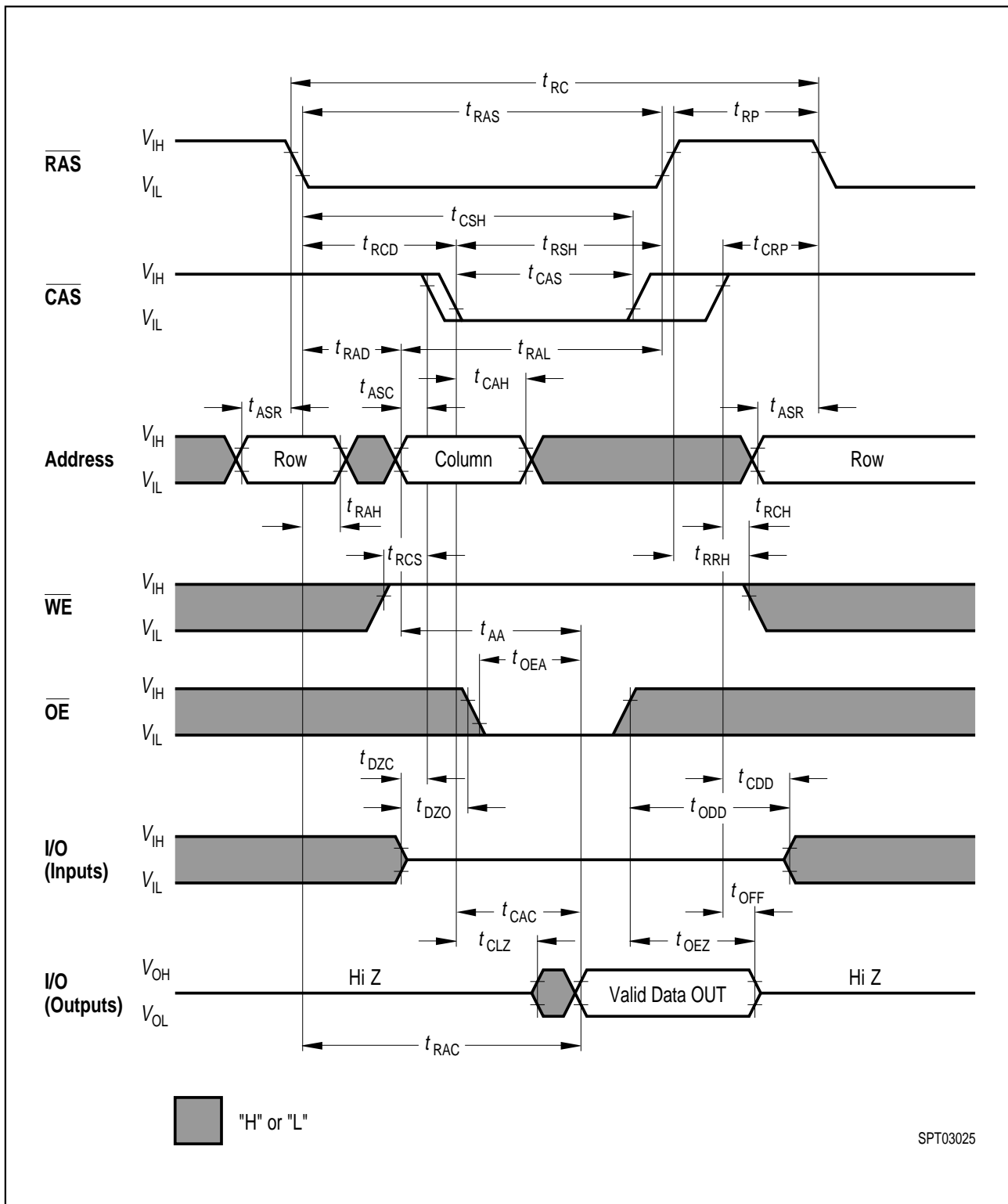
| | | | | | | | |
|--|-----------|----|---|----|---|----|--|
| \overline{CAS} precharge time (\overline{CAS} -before- \overline{RAS} counter test cycle) | t_{CPT} | 35 | – | 40 | – | ns | |
|--|-----------|----|---|----|---|----|--|

Test Mode

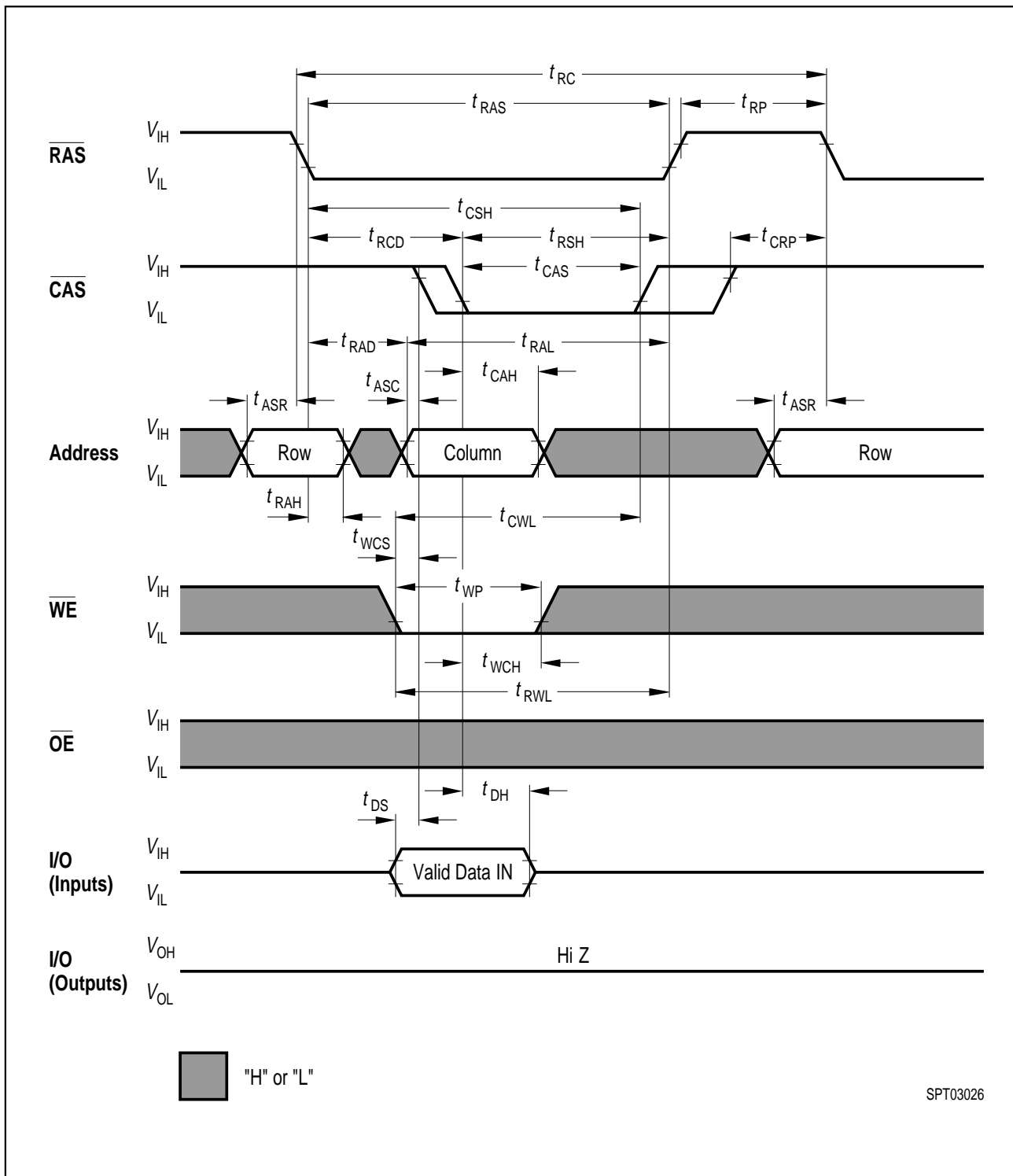
| | | | | | | | |
|---|------------|----|---|----|---|----|--|
| Write command setup time | t_{WTS} | 10 | – | 10 | – | ns | |
| Write command hold time | t_{WTH} | 10 | – | 10 | – | ns | |
| \overline{CAS} hold time | t_{CHRT} | 30 | – | 30 | – | ns | |
| \overline{RAS} hold time in test mode | t_{RAHT} | 30 | – | 30 | – | ns | |

Notes

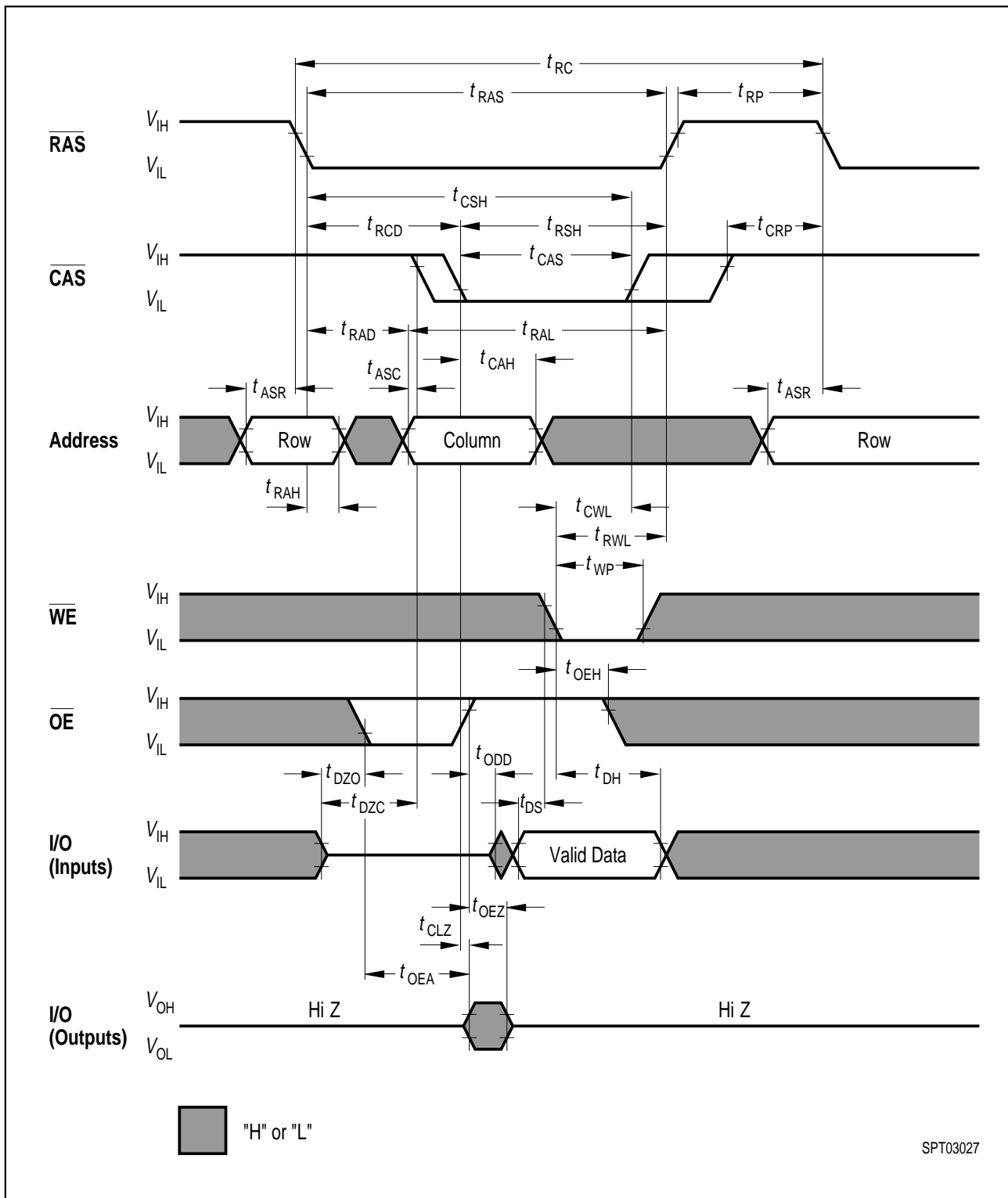
1. All voltages are referenced to V_{SS} .
2. I_{CC1} , I_{CC3} , I_{CC4} and I_{CC6} depend on cycle rate.
3. I_{CC1} and I_{CC4} depend on output loading. Specified values are obtained with the output open.
4. Address can be changed once or less while $RAS = V_{IL}$. In case of I_{CC4} it can be changed once or less during a hyper page mode (EDO) cycle
5. An initial pause of 200 μs is required after power-up followed by 8 \overline{RAS} cycles of which at least one cycle has to be a refresh cycle, before proper device operation is achieved. In case of using the internal refresh counter, a minimum of 8 \overline{CAS} -before- \overline{RAS} initialization cycles instead of 8 \overline{RAS} cycles are required.
6. AC measurements assume $t_T = 2$ ns.
7. $V_{IH(MIN.)}$ and $V_{IL(MAX.)}$ are reference levels for measuring timing of input signals. Transition times are also measured between V_{IH} and V_{IL} .
8. Measured with the specified current load and 100 pF at $V_{OL} = 0.8$ V and $V_{OH} = 2.0$ V. Access time is determined by the latter of t_{RAC} , t_{CAC} , t_{AA} , t_{CPA} , t_{OEA} . t_{CAC} is measured from tristate.
9. Operation within the $t_{RCD(MAX.)}$ limit ensures that $t_{RAC(MAX.)}$ can be met. $t_{RCD(MAX.)}$ is specified as a reference point only. If t_{RCD} is greater than the specified $t_{RCD(MAX.)}$ limit, then access time is controlled by t_{CAC} .
10. Operation within the $t_{RAD(MAX.)}$ limit ensures that $t_{RAC(MAX.)}$ can be met. $t_{RAD(MAX.)}$ is specified as a reference point only. If t_{RAD} is greater than the specified $t_{RAD(MAX.)}$ limit, then access time is controlled by t_{AA} .
11. Either t_{RCH} or t_{RRH} must be satisfied for a read cycle.
12. $t_{OFF(MAX.)}$, $t_{OEZ(MAX.)}$ define the time at which the output achieves the open-circuit conditions and are not referenced to output voltage levels. t_{OFF} is referenced from the rising edge of \overline{RAS} or \overline{CAS} , whichever occurs last.
13. Either t_{DZC} or t_{DZO} must be satisfied.
14. Either t_{CDD} or t_{ODD} must be satisfied.
15. t_{WCS} , t_{RWD} , t_{CWD} and t_{AWD} are not restrictive operating parameters. They are included in the data sheet as electrical characteristics only. If $t_{WCS} > t_{WCS(MIN.)}$, the cycle is an early write cycle and data out pin will remain open-circuit (high impedance) through the entire cycle; if $t_{RWD} > t_{RWD(MIN.)}$, $t_{CWD} > t_{CWD(MIN.)}$ and $t_{AWD} > t_{AWD(MIN.)}$, the cycle is a read-write cycle and I/O will contain data read from the selected cells. If neither of the above sets of conditions is satisfied, the condition of I/O (at access time) is indeterminate.
16. These parameters are referenced to the \overline{CAS} leading edge in early write cycles and to the \overline{WE} leading edge in read-write cycles.



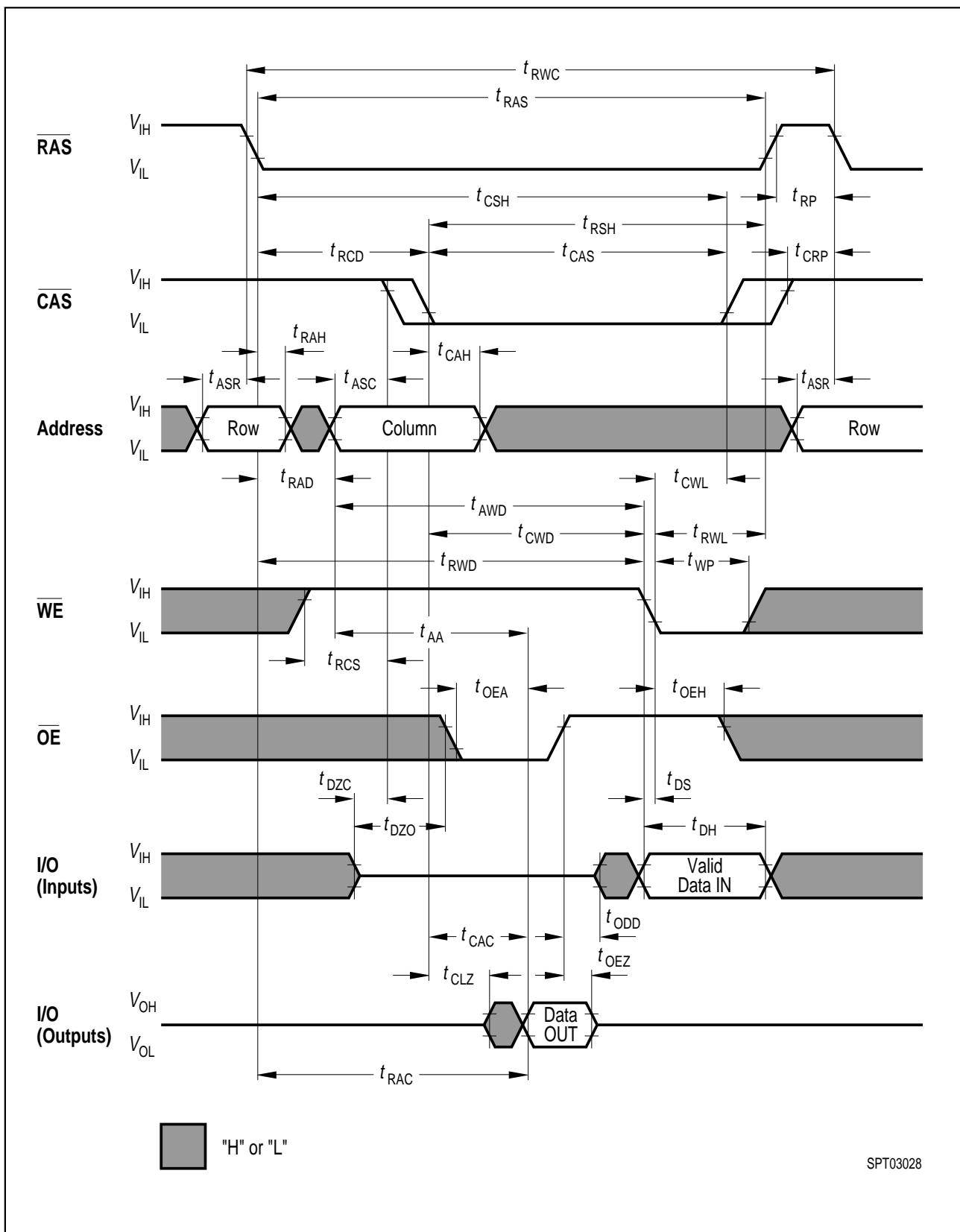
Read Cycle



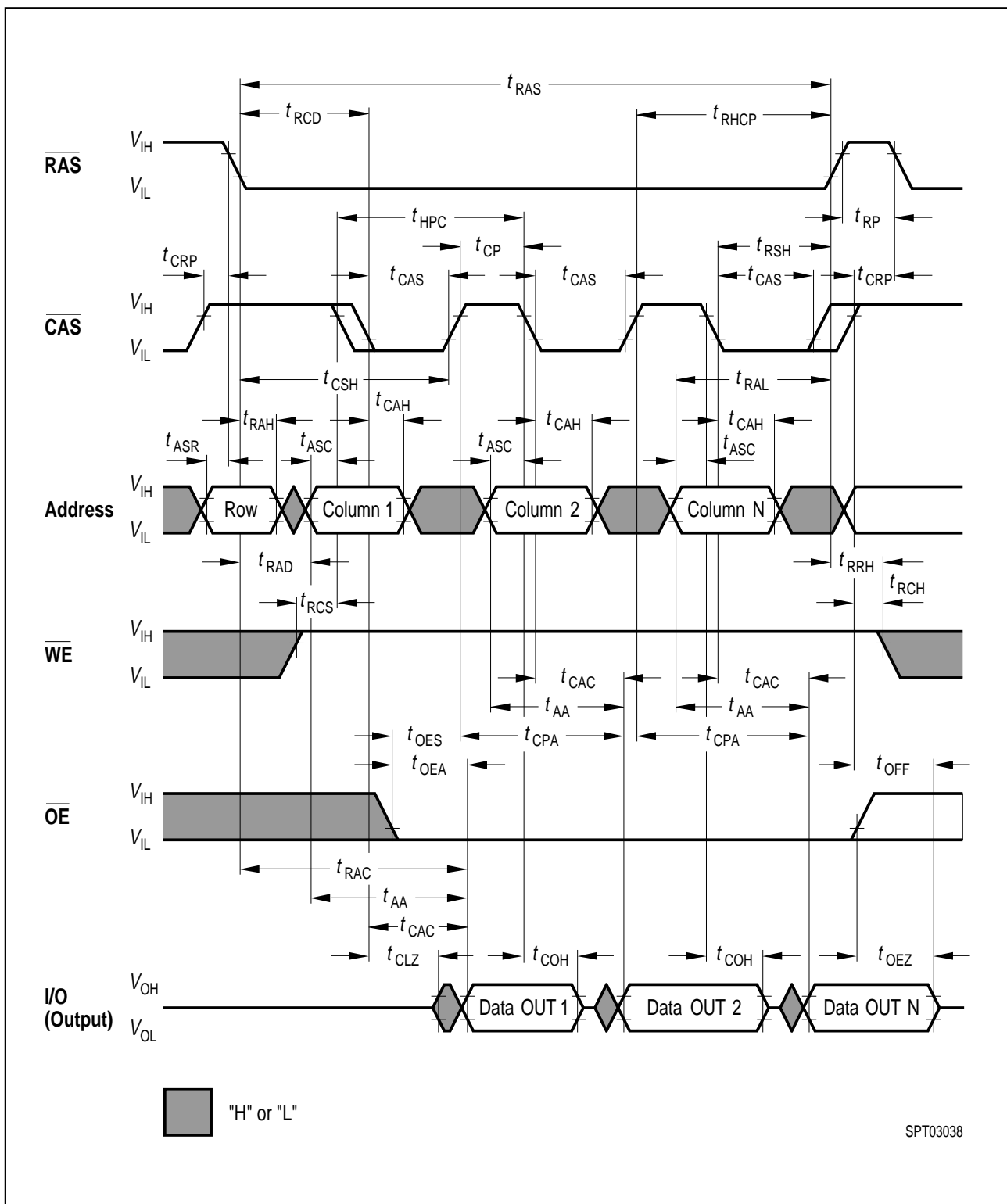
Write Cycle (Early Write)



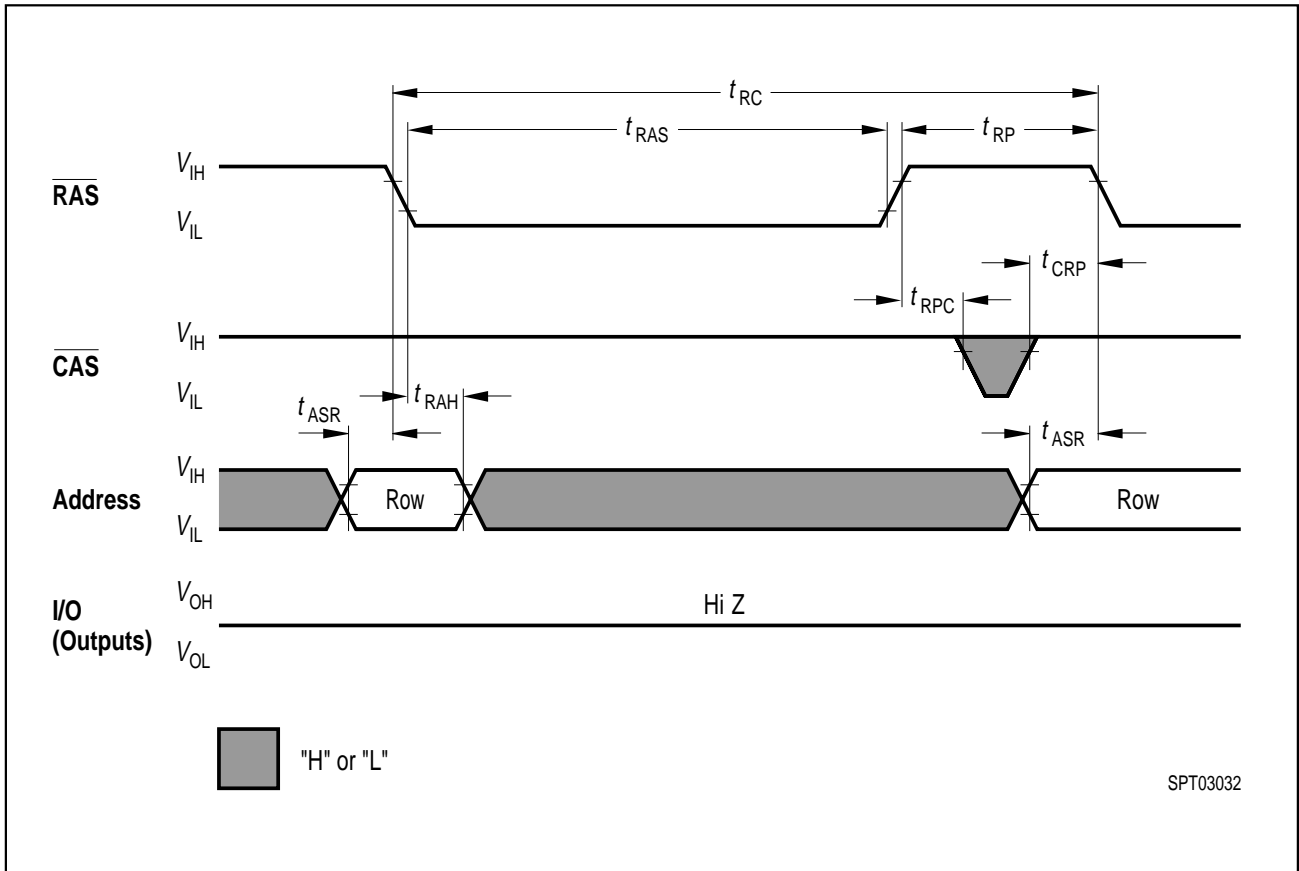
Write Cycle (OE Controlled Write)



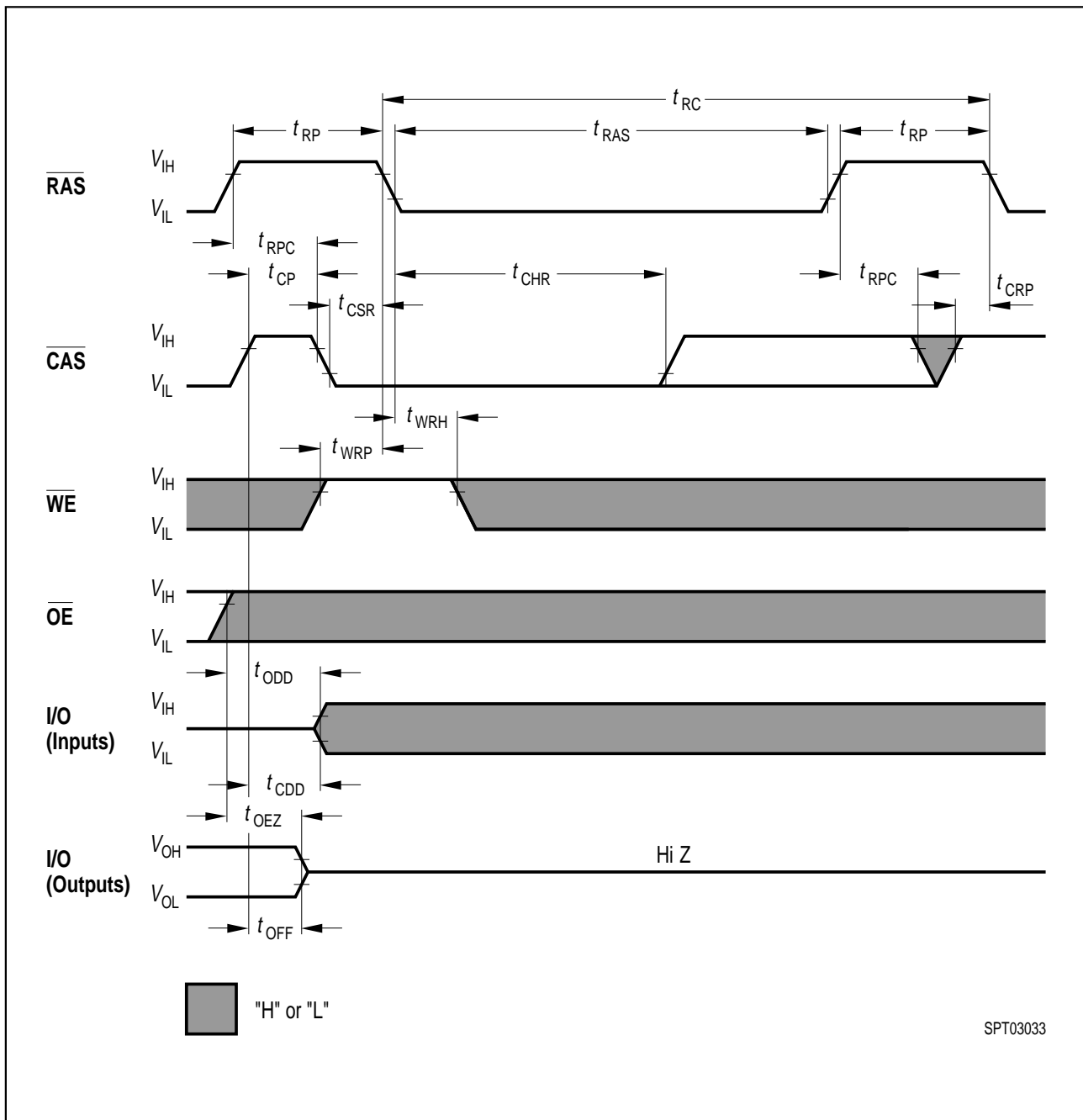
Read-Write (Read-Modify-Write) Cycle



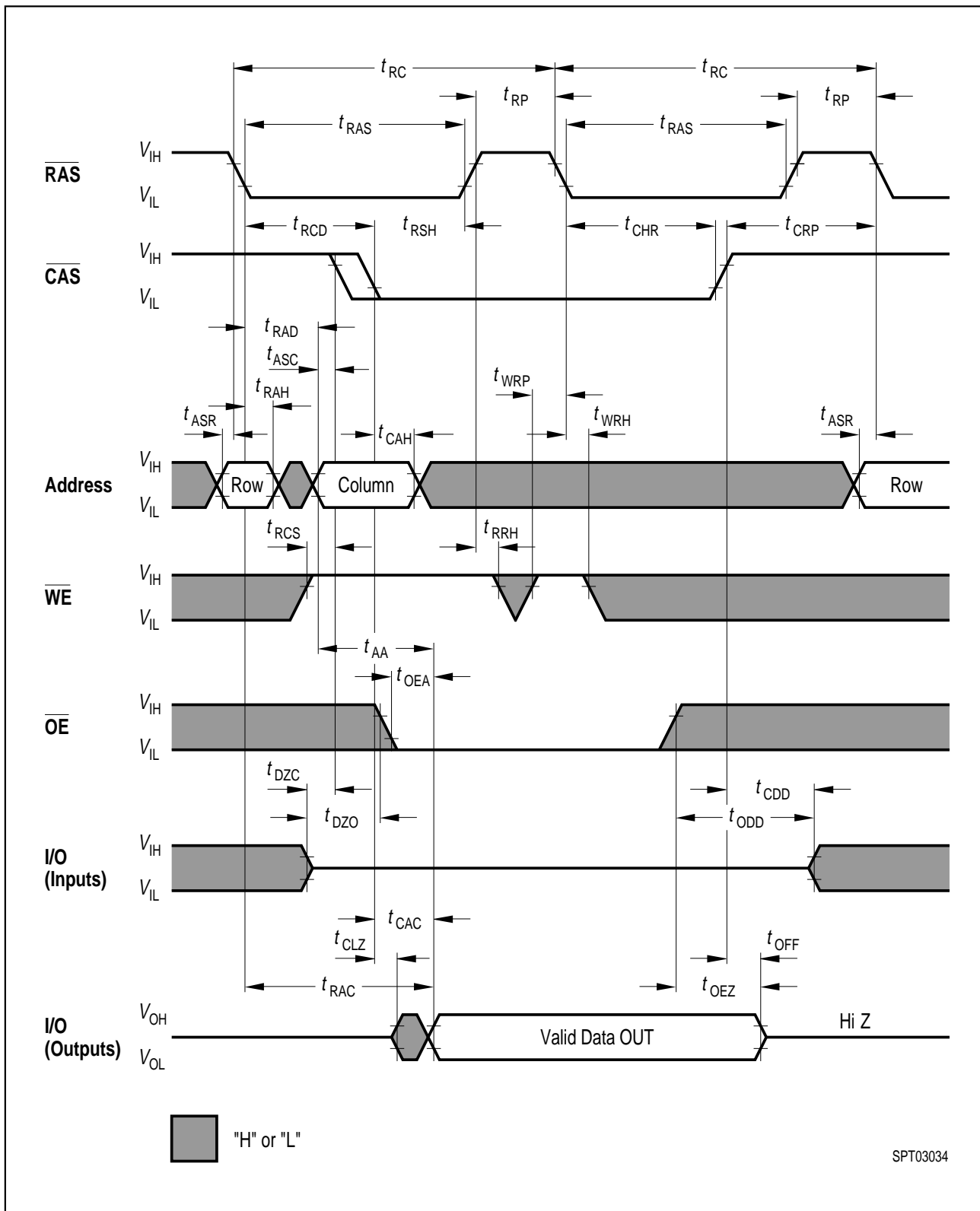
Hyper Page Mode (EDO) Read Cycle



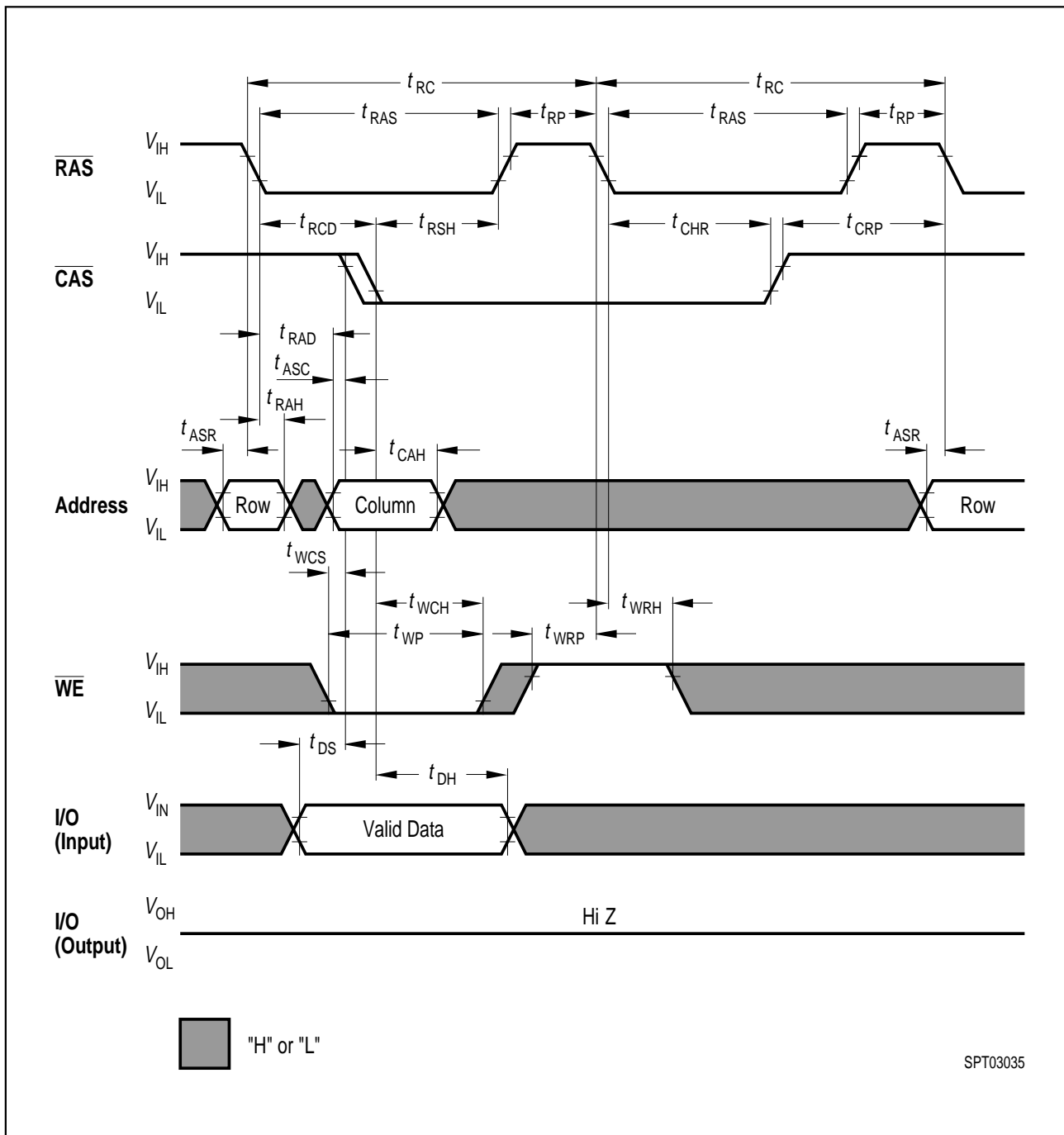
RAS-only Refresh Cycle



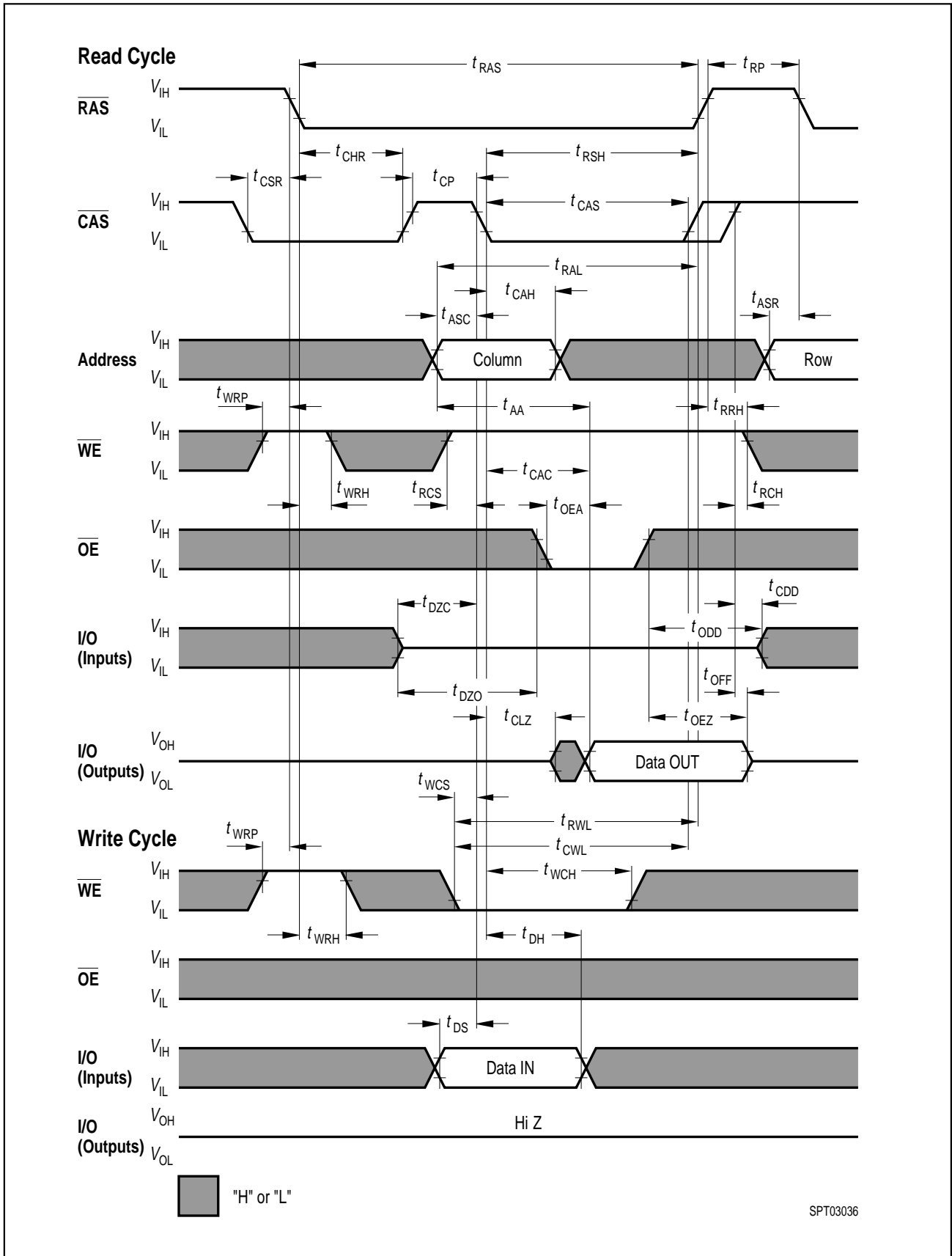
CAS-before-RAS Refresh Cycle



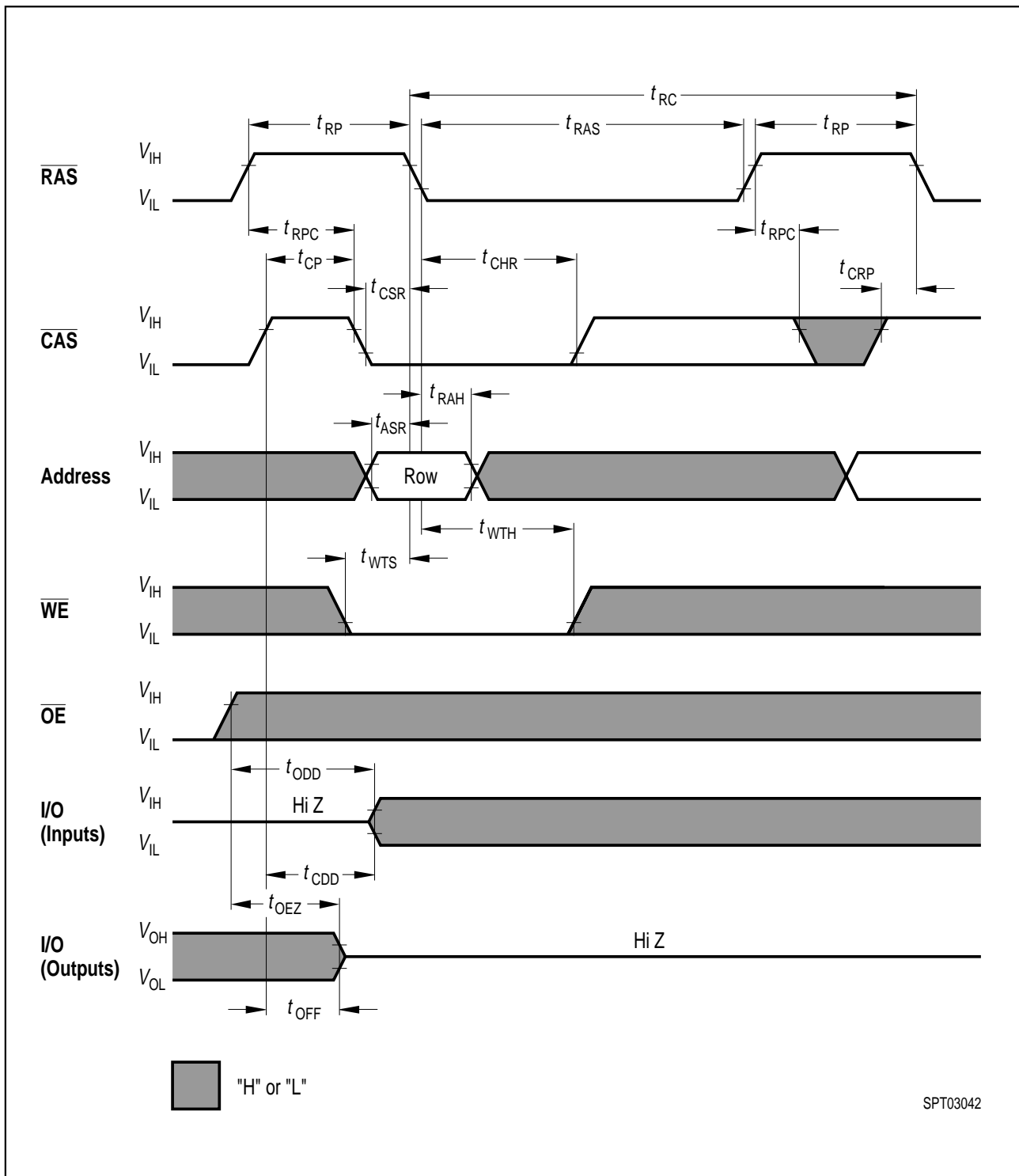
Hidden Refresh Cycle (Read) Cycle



Hidden Refresh Early Write Cycle



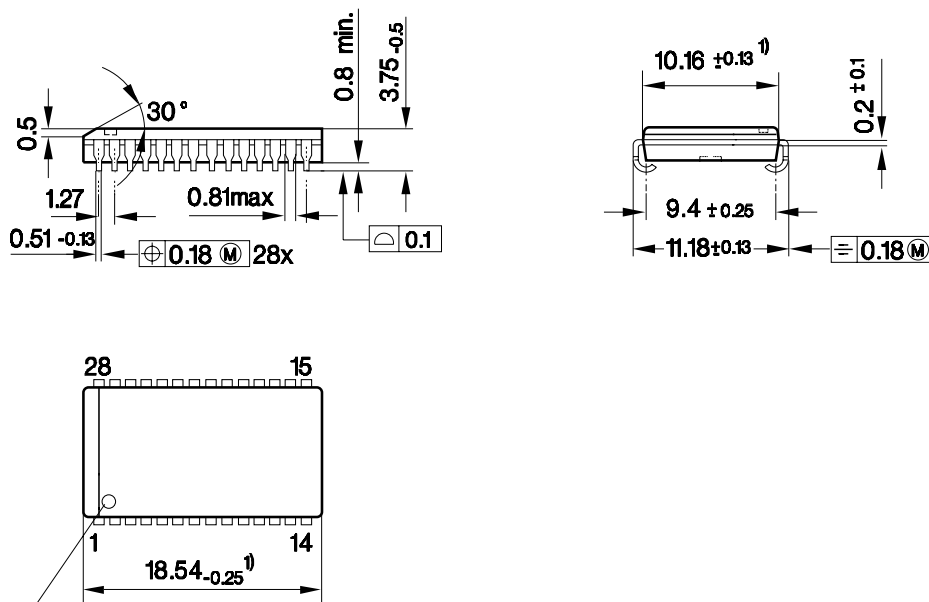
CAS-before-RAS Refresh Counter Test Cycle



Test Mode Entry

Package Outlines

Plastic Package P-SOJ-28-3 (400mil) (SMD)
(Plastic small outline J-leaded)



Index Marking

1) Does not include plastic or metal protrusion of 0.15 max. per side

GPJ05699

Sorts of Packing

Package outlines for tubes, trays etc. are contained in our Data Book "Package Information".

SMD = Surface Mounted Device

Dimensions in mm