

SHIELDED SMD INDUCTOR DR350-3 SERIES

Features

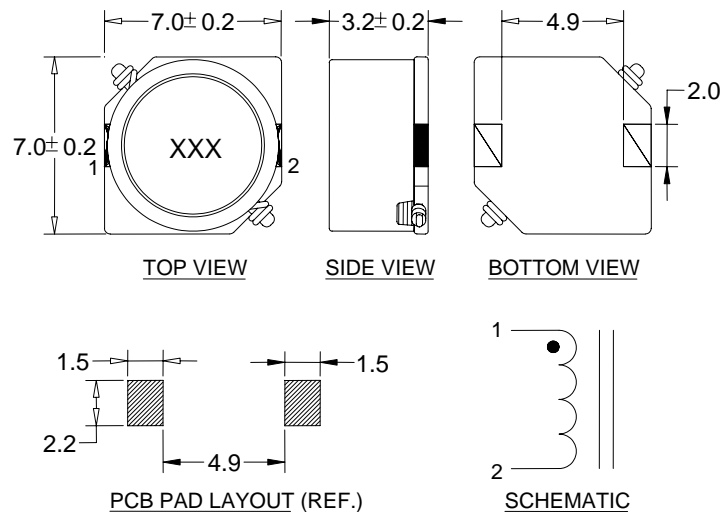
- Low Profile Surface Mount Design
- Flat Top for Pick and Place
- Inductance Range from 3.3 μ H to 1000.0 μ H
- Operating Temp. -40°C to +85°C
- Tinned Leads with Leaded Solder is Available (note 7)



ELECTRICAL SPECIFICATIONS AT 25°C

Part No.	Inductance (μ H) \pm 20%	DCR (Ω) \pm 20%	I_{rms} (A) Max.	I_{sat} (A) Max.
DR350-3-332	3.3	0.023	1.90	1.90
DR350-3-472	4.7	0.036	1.70	1.70
DR350-3-682	6.8	0.041	1.60	1.60
DR350-3-103	10.0	0.053	1.40	1.40
DR350-3-153	15.0	0.075	1.10	1.10
DR350-3-223	22.0	0.110	0.96	0.96
DR350-3-333	33.0	0.160	0.75	0.75
DR350-3-473	47.0	0.240	0.67	0.67
DR350-3-683	68.0	0.310	0.59	0.59
DR350-3-104	100.0	0.450	0.45	0.45
DR350-3-154	150.0	0.650	0.37	0.37
DR350-3-224	220.0	1.050	0.29	0.29
DR350-3-334	330.0	1.670	0.22	0.22
DR350-3-474	470.0	2.050	0.20	0.20
DR350-3-684	680.0	3.150	0.16	0.16
DR350-3-105	1000.0	4.780	0.13	0.13

MECHANICAL OUTLINES



Notes:

1. All dimensions are shown in millimeter "mm"
2. General tolerance \pm 0.2mm, unless other specified
3. Inductance Test: 1kHz, 0.5Vrms
4. I_{rms} for an approximate 45°C temperature rise
5. I_{sat} for an approximate 20% drop maximum of the nominal value
6. Tape and reel quantity, 1000 pcs/reel
7. For non-RoHS parts replace DR prefix with 42- (e.g. DR350-3 becomes 42-350-3)
8. Terminal finish is compliant to RoHS requirements. Solder in accordance with J-STD-020C.