

# Feed-through header - MCDN 1,5/ 4-G1-3,5 P26THR - 1953732

Please be informed that the data shown in this PDF Document is generated from our Online Catalog. Please find the complete data in the user's documentation. Our General Terms of Use for Downloads are valid (<http://phoenixcontact.com/download>)



PCB headers, nominal current: 8 A, rated voltage (III/2): 160 V, nominal cross section: 1.5 mm<sup>2</sup>, number of positions: 4, pitch: 3.5 mm, color: black, contact surface: Tin, mounting: THR soldering, pin layout: Linear pinning, solder pin [P]: 2.6 mm, The pin length is 2.6 mm. User information and design recommendations on Through Hole Reflow Technology can be found at: "Downloads"

The figure shows a 10-pos. version with 20 contacts

## Your advantages

- Designed for integration into the SMT soldering process
- Maximum flexibility when it comes to device design – one header for connectors with different connection technologies
- Conductor connection on several levels enables higher contact density



## Key Commercial Data

|                        |               |
|------------------------|---------------|
| Packing unit           | 75 pc         |
| Minimum order quantity | 75 pc         |
| GTIN                   |               |
| GTIN                   | 4017918919269 |

## Technical data

### Dimensions

|                          |              |
|--------------------------|--------------|
| Length [ l ]             | 13.3 mm      |
| Width                    | 15.4 mm      |
| Pitch                    | 3.5 mm       |
| Dimension a              | 10.5 mm      |
| Width [ w ]              | 15.4 mm      |
| Height [ h ]             | 17.8 mm      |
| Height                   | 15.2 mm      |
| Length of the solder pin | 2.6 mm       |
| Pin dimensions           | 0.8 x 0.8 mm |
| Pin spacing              | 3.50 mm      |
| Length                   | 13.3 mm      |

## Feed-through header - MCDN 1,5/ 4-G1-3,5 P26THR - 1953732

### Technical data

#### General

|  |                    |
|--|--------------------|
| Range of articles                      | MCDN 1,5/...G1-THR |
| Insulating material group              | IIIa               |
| Rated surge voltage (III/3)            | 2.5 kV             |
| Rated surge voltage (III/2)            | 2.5 kV             |
| Rated surge voltage (II/2)             | 2.5 kV             |
| Rated voltage (III/3)                  | 160 V              |
| Rated voltage (III/2)                  | 160 V              |
| Rated voltage (II/2)                   | 250 V              |
| Connection in acc. with standard       | EN-VDE             |
| Nominal current $I_N$                  | 8 A                |
| Maximum load current                   | 8 A (per position) |
| Insulating material                    | LCP                |
| Flammability rating according to UL 94 | V0                 |
| Color                                  | black              |
| Number of positions                    | 4                  |

#### Standards and Regulations

|  |        |
|--|--------|
| Connection in acc. with standard       | EN-VDE |
|  | CUL    |
| Flammability rating according to UL 94 | V0     |

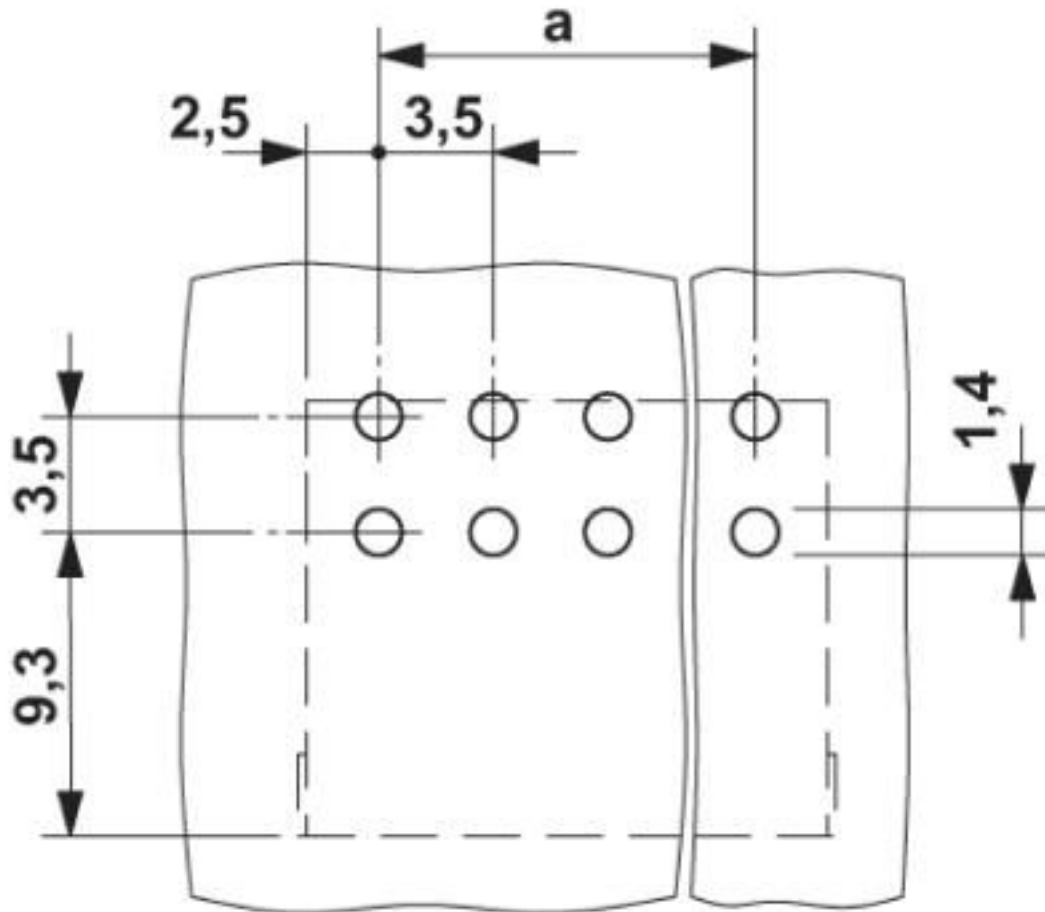
#### Environmental Product Compliance

|            |   |
|------------|---|
| China RoHS | Environmentally friendly use period: unlimited = EFUP-e |
|            | No hazardous substances above threshold values          |

### Drawings

# Feed-through header - MCDN 1,5/ 4-G1-3,5 P26THR - 1953732

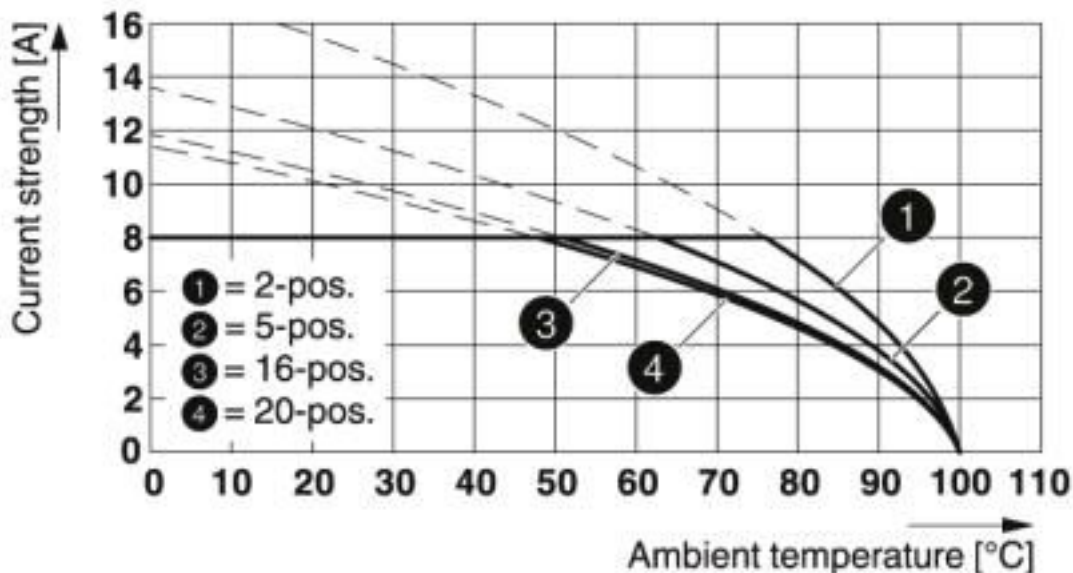
Drilling diagram



\*)  $\leq$  8-pos. = 1.3 /  $>$  8-pos. = 1.4

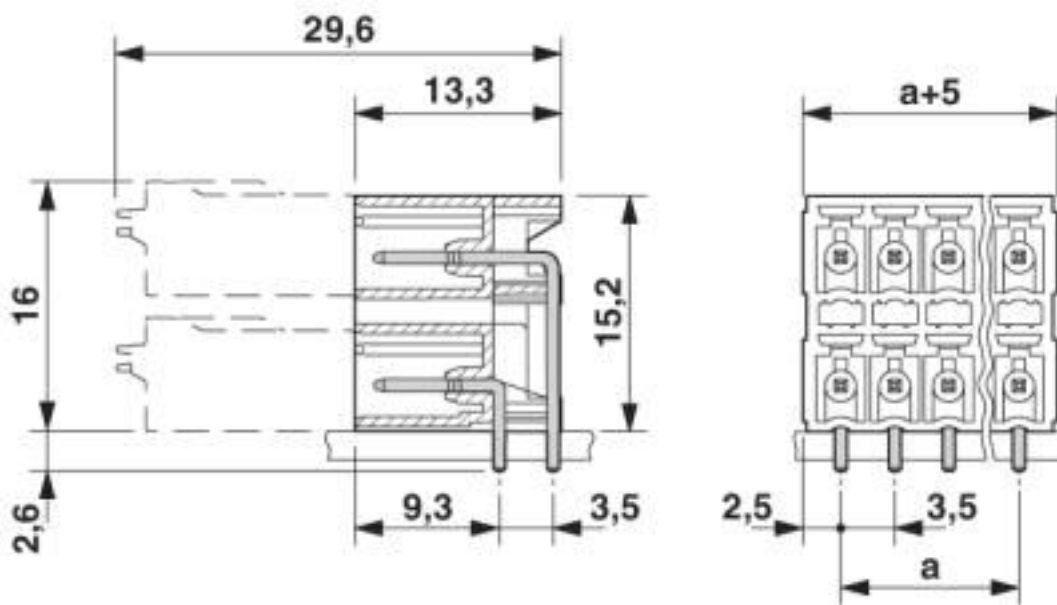
# Feed-through header - MCDN 1,5/ 4-G1-3,5 P26THR - 1953732

Diagram



Type: FMC 1,5/...-ST-3,5 with MCDN 1,5/...-G1-3,5 P26THR

Dimensional drawing



## Classifications

eCl@ss

|               |          |
|---------------|----------|
| eCl@ss 10.0.1 | 27440402 |
| eCl@ss 4.0    | 27260700 |
| eCl@ss 4.1    | 27260700 |

# Feed-through header - MCDN 1,5/ 4-G1-3,5 P26THR - 1953732

## Classifications

### eCl@ss

|            |          |
|------------|----------|
| eCl@ss 5.0 | 27260700 |
| eCl@ss 5.1 | 27260700 |
| eCl@ss 6.0 | 27260700 |
| eCl@ss 7.0 | 27440402 |
| eCl@ss 8.0 | 27440402 |
| eCl@ss 9.0 | 27440402 |

### ETIM

|          |          |
|----------|----------|
| ETIM 3.0 | EC001121 |
| ETIM 4.0 | EC002637 |
| ETIM 5.0 | EC002637 |
| ETIM 6.0 | EC002637 |
| ETIM 7.0 | EC002637 |

### UNSPSC

|               |          |
|---------------|----------|
| UNSPSC 6.01   | 30211810 |
| UNSPSC 7.0901 | 39121409 |
| UNSPSC 11     | 39121409 |
| UNSPSC 12.01  | 39121409 |
| UNSPSC 13.2   | 39121409 |
| UNSPSC 18.0   | 39121409 |
| UNSPSC 19.0   | 39121409 |
| UNSPSC 20.0   | 39121409 |
| UNSPSC 21.0   | 39121409 |

## Approvals

### Approvals

---

#### Approvals

IECEE CB Scheme / VDE Gutachten mit Fertigungsüberwachung / EAC / cULus Recognized

---

#### Ex Approvals

---

### Approval details

# Feed-through header - MCDN 1,5/ 4-G1-3,5 P26THR - 1953732

## Approvals

|                    |       |   |                |
|--------------------|-------|---|----------------|
| IECEE CB Scheme    |       | <a href="http://www.iecee.org/">http://www.iecee.org/</a> | DE1-60987-B1B2 |
| Nominal voltage UN | 160 V |   |                |
| Nominal current IN | 8 A   |   |                |

|   |       |   |          |
|---|-------|---|----------|
| VDE Gutachten mit Fertigungsüberwachung |       | <a href="http://www2.vde.com/de/Institut/Online-Service/VDE-gepruefteProdukte/Seiten/Online-Suche.aspx">http://www2.vde.com/de/Institut/Online-Service/VDE-gepruefteProdukte/Seiten/Online-Suche.aspx</a> | 40011723 |
| Nominal voltage UN                      | 160 V |   |          |
| Nominal current IN                      | 8 A   |   |          |

|     |  |         |
|-----|--|---------|
| EAC |  | B.01687 |
|-----|--|---------|

|                    |       |   |                 |
|--------------------|-------|---|-----------------|
| cULus Recognized   |       | <a href="http://database.ul.com/cgi-bin/XYV/template/LISEXT/1FRAME/index.htm">http://database.ul.com/cgi-bin/XYV/template/LISEXT/1FRAME/index.htm</a> | E60425-20110128 |
|                    | B     | D   |                 |
| Nominal voltage UN | 150 V | 150 V   |                 |
| Nominal current IN | 8 A   | 8 A   |                 |

## Accessories

Accessories

Coding element

Coding profile - CP-MSTB - 1734634

Coding profile, is inserted into the slot on the plug or inverted header, red insulating material



Labeled terminal marker

## Feed-through header - MCDN 1,5/ 4-G1-3,5 P26THR - 1953732

### Accessories

Marker card - SK 3,81/2,8:FORTL.ZAHLEN - 0804109



Marker card, Card, white, labeled, horizontal: consecutive numbers 1 ... 10, 11 ... 20, etc. up to 91 ... (99)100, mounting type: adhesive, for terminal block width: 3.81 mm, lettering field size: 3.81 x 2.8 mm

---

### Additional products

Printed-circuit board connector - FMC 1,5/ 4-ST-3,5 - 1952283



PCB connector, nominal current: 8 A, rated voltage (III/2): 160 V, nominal cross section: 1.5 mm<sup>2</sup>, number of positions: 4, pitch: 3.5 mm, connection method: Push-in spring connection, color: green, contact surface: Tin

---

Phoenix Contact 2020 © - all rights reserved  
<http://www.phoenixcontact.com>

PHOENIX CONTACT GmbH & Co. KG  
Flachsmarktstr. 8  
32825 Blomberg  
Germany  
Tel. +49 5235 300  
Fax +49 5235 3 41200  
<http://www.phoenixcontact.com>