

PLEASE CHECK WWW.MOLEX.COM FOR LATEST PART INFORMATION

Part Number: [0357255510](#)
Status: **Active**
Description: Flag Quick Disconnect, Female, for 14-16 AWG (2.08-1.31mm²) Wire, Metal Strip, Tab 6.35 by 0.81mm (.250 by .032"), Left Angle Open Barrel, Post Tin Plating

Documents:

[Drawing \(PDF\)](#) [RoHS Certificate of Compliance \(PDF\)](#)
[Product Specification PS-35725-551 \(PDF\)](#)

Agency Certification

UL E92853

General

Product Family Quick Disconnects
 Series [35725](#)
 Crimp Quality Equipment Yes
 Product Name Safelock
 Type Quick Disconnect

Physical

Barrel Type Open
 Gender Female
 Glow-Wire Compliant No
 Insulation None
 Lock to Mating Part Yes
 Material - Metal Brass
 Material - Plating Mating Tin
 Material - Plating Termination Tin
 Orientation Flag
 Packaging Type Reel
 Plating min: Mating (µin) 32
 Plating min: Mating (µm) 0.8
 Plating min: Termination (µin) 32
 Plating min: Termination (µm) 0.8
 Polarized to Mating Part No
 Tab Thickness 0.81mm (.032")
 Tab Width 6.35mm (.250")
 Temperature Range - Operating -40°C to +105°C
 Termination Interface: Style Crimp or Compression
 Wire Insulation Diameter 5.08mm (.200") max.
 Wire Size AWG 14, 16
 Wire Size mm² 1.30 - 2.00

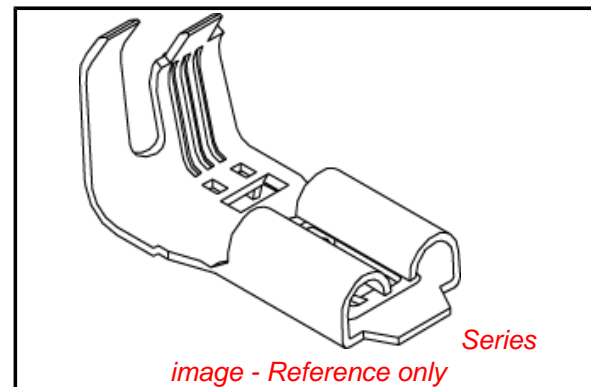
Electrical

Voltage - Maximum 250V

Material Info

Reference - Drawing Numbers

Product Specification PS-35725-551
 Sales Drawing SD-35725-551



EU RoHS

ELV and RoHS Compliant
REACH SVHC Contains SVHC: No
Halogen-Free Status

China RoHS



Need more information on product environmental compliance?

Email productcompliance@molex.com
 For a multiple part number RoHS Certificate of Compliance, [click here](#)

Please visit the [Contact Us](#) section for any non-product compliance questions.

Search Parts in this Series

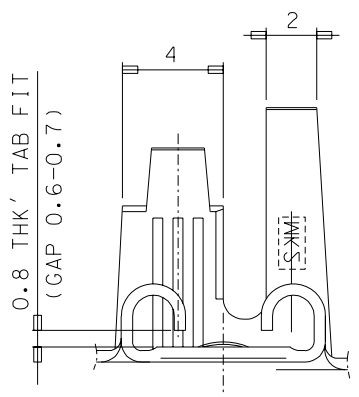
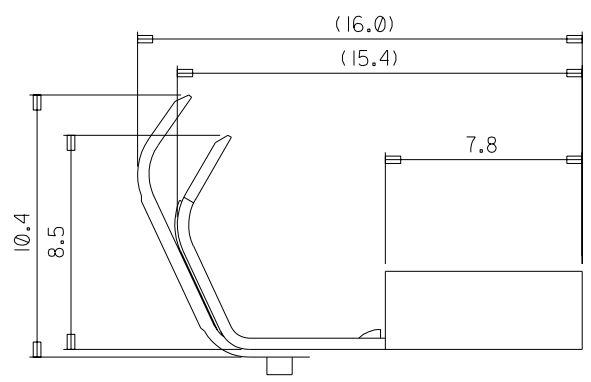
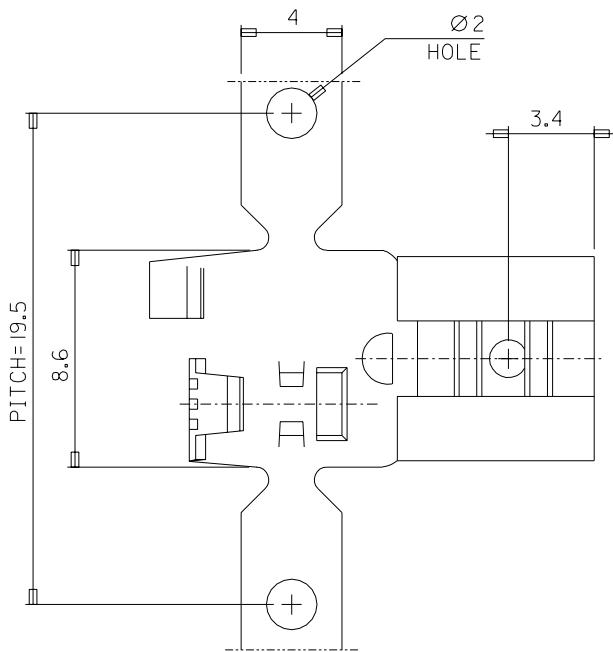
[35725Series](#)

Use With

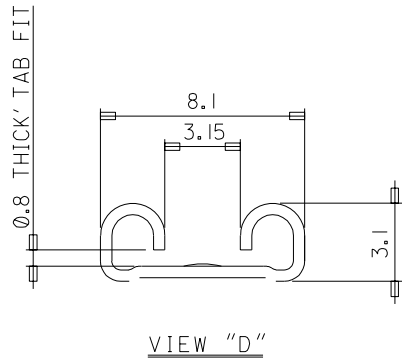
6.35mm (.250") Tab

DO NOT SCALE DRAWING
DIMENSION IN METRIC

PROJECT NO. SIMILAR ITEM DWG. NO. SD-35725-551



"D"



- NOTES
1. MATERIAL: BRASS, 0.45 THICK'
 2. FINISH : POST-TIN PLATED
 3. MATING TAB THICK: 0.8
 4. APPLICABLE WIRE RANGE: AWG #16-#14

REVISED	EC NO:KOR 2005-0011 DRWN: C.B.CHIN 04/08/16 CHK: W.Y.YANG APPR: C.W.LEE	QUALITY SYMBOLS MAJOR = 0 CRITICAL = 0	GENERAL TOLERANCES: (UNLESS SPECIFIED)		SCALE 5:1	DESIGN UNITS <input checked="" type="checkbox"/> mm <input type="checkbox"/> INCH	THIRD ANGLE PROJECTION	DIMENSIONS: <input type="checkbox"/> mm <input type="checkbox"/> INCH <input checked="" type="checkbox"/> mm ONLY		SHT	REV
			4 PLACES	±.0	±.	DRAWN BY & DATE W.Y.YANG 00/02/20		TITLE: .250 FLAG RECEPTACLE (LEFT ANGLE)			REVISE ON CAD ONLY
B1	REV	DESCRIPTION	3 PLACES	±.0	±.	CHECKED BY & DATE B.K.CHOI 00/02/20	MOLEX INCORPORATED				
			2 PLACES	±0.30	±.	APPROVED BY & DATE C.W.LEE 00/02/20					
			1 PLACE	±0.30	±.	CAD FILENAME S5510AA.DGN	MATERIAL NO. 357255510	DRAWING NO. SD-35725-551	SHEET NO. 1 OF 1		
DRAFT WHERE APPLICABLE MUST REMAIN WITHIN DIMENSIONS			ANGULAR: ± °			THIS DRAWING CONTAINS INFORMATION THAT IS PROPRIETARY TO MOLEX INCORPORATED AND SHOULD NOT BE USED WITHOUT WRITTEN PERMISSION.					SIZE B