

REV	DESCRIPTION	BY	APPD
J	REVISED AND REDRAWN PER ECR-ER1047	ANG CT	PSM 12/05/06

NOTES: UNLESS OTHERWISE SPECIFIED

1. FOR GENERAL SERIES SPECIFICATIONS, SEE SD22-0000.

2. MATERIALS:

BODY: BERYLLIUM COPPER PER ASTM B196

CLIP RING: BERYLLIUM COPPER PER ASTM B194

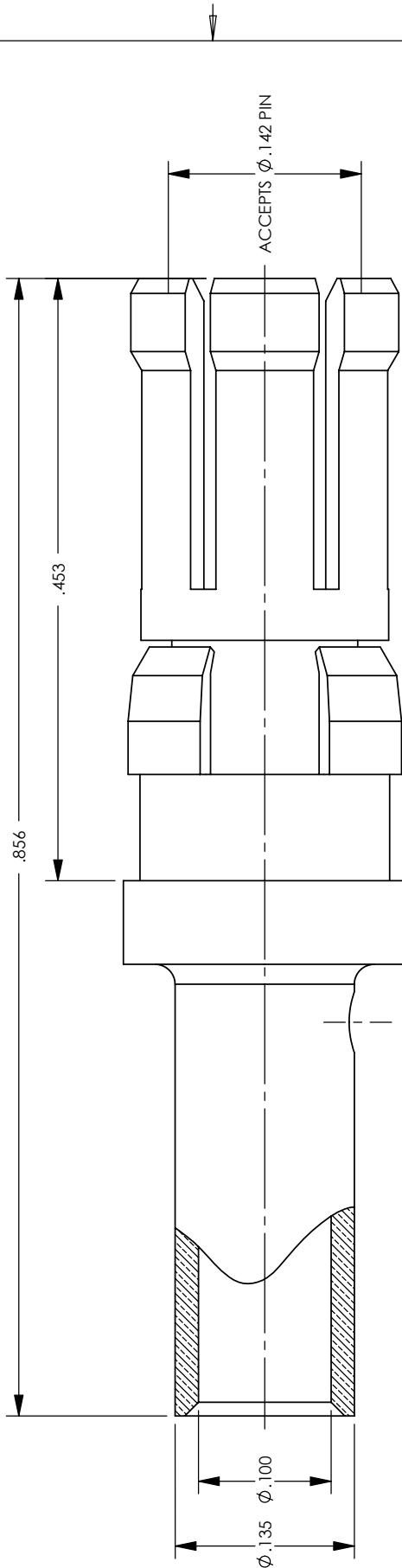
3. FINISH:

BODY: .000030 MIN. GOLD PER ASTM B488 OVER

.000080 MIN. NICKEL PER AMS-QQ-N-290

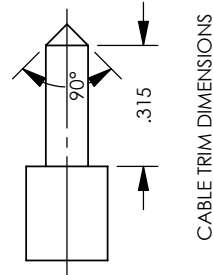
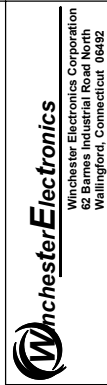
CLIP RING: .000100 MIN. NICKEL PER AMS-QQ-N-290

OVER COPPER FLASH PER ASTM B734



CATALOG P/N: 221-910-0001G

PER ASME Y14.5M-1994 UNLESS OTHERWISE SPECIFIED: DIMENSIONS ARE IN INCHES (MM) TOLERANCES: DECIMAL: .XX [X.XX] ± .005 [0.13] ANGLES: ± 2° SCALE: 8:1		
<b>CUSTOMER DRAWING</b>		<b>RDM HIGH POWER CRIMP RECEPTACLE</b>
DRAWN KJT	DATE 04/16/98	APPROVED JMC
APPROVED PAT	DATE 04/16/98	APPROVED PAT
DATE 04/16/98		DATE 04/16/98
A SD221-910-0001G		SHT 1 OF 1
REV J		REV J



CABLE TRIM DIMENSIONS