

**PLEASE CHECK WWW.MOLEX.COM FOR LATEST PART INFORMATION**

**Part Number:** [0850039013](#)  
**Status:** **Active**  
**Overview:** [din\\_41612](#)  
**Description:** 2.54mm (.100") Pitch DIN 41612 C/3 Style Male Header, Right Angle, Through Hole, 0.80µm (32µ") Selective Gold (Au) Plating, 30 Circuits, with Mounting Clips, No Flux Proof, Lead free

**Documents:**

[Drawing \(PDF\)](#) [RoHS Certificate of Compliance \(PDF\)](#)

**Agency Certification**

CSA LR19980  
 UL E29179

**General**

Product Family Backplane Connectors  
 Series [85003](#)  
 Application Backplane  
 Comments With Mounting Clips. No Flux Proof  
 Component Type PCB Header  
 Overview [din\\_41612](#)  
 Product Name IEC 603-2/DIN 41612  
 Style C/3

**Physical**

Circuits (Loaded) 30  
 Circuits (maximum) 30  
 Circuits Detail Standard Contacts at: A:a1-a10; B:b1-b10; C:c1-c10  
 Color - Resin Gray  
 Durability (mating cycles max) 400  
 First Mate / Last Break No  
 Flammability 94V-0  
 Guide to Mating Part No  
 Keying to Mating Part Yes  
 Material - Metal Brass  
 Material - Plating Mating Gold  
 Material - Plating Termination Tin  
 Material - Resin Polyester  
 Number of Columns 16  
 Number of Pairs Open Pin Field  
 Number of Rows 3  
 Orientation Right Angle  
 PC Tail Length (in) 0.118 In  
 PC Tail Length (mm) 3.00 mm  
 PCB Locator No  
 PCB Retention Yes  
 PCB Thickness Recommended (in) 0.062 In  
 PCB Thickness Recommended (mm) 1.60 mm  
 Packaging Type Carton  
 Pitch - Mating Interface (in) 0.100 In  
 Pitch - Mating Interface (mm) 2.54 mm  
 Pitch - Term. Interface (in) 0.100 In  
 Pitch - Term. Interface (mm) 2.54 mm  
 Plating min: Mating (µin) 32  
 Plating min: Mating (µm) 0.80  
 Plating min: Termination (µin) 98

**EU RoHS**

**ELV and RoHS Compliant**

**REACH SVHC**

Not Reviewed

**Halogen-Free**

**Status**

**Not Reviewed**

**China RoHS**



**Need more information on product environmental compliance?**

Email [productcompliance@molex.com](mailto:productcompliance@molex.com)  
 For a multiple part number RoHS Certificate of Compliance, [click here](#)

Please visit the [Contact Us](#) section for any non-product compliance questions.

**Search Parts in this Series**

[85003Series](#)

Plating min: Termination ( $\mu\text{m}$ )	2.5
Polarized to PCB	Yes
Stackable	No
Temperature Range - Operating	-55°C to +125°C
Termination Interface: Style	Through Hole

**Electrical**

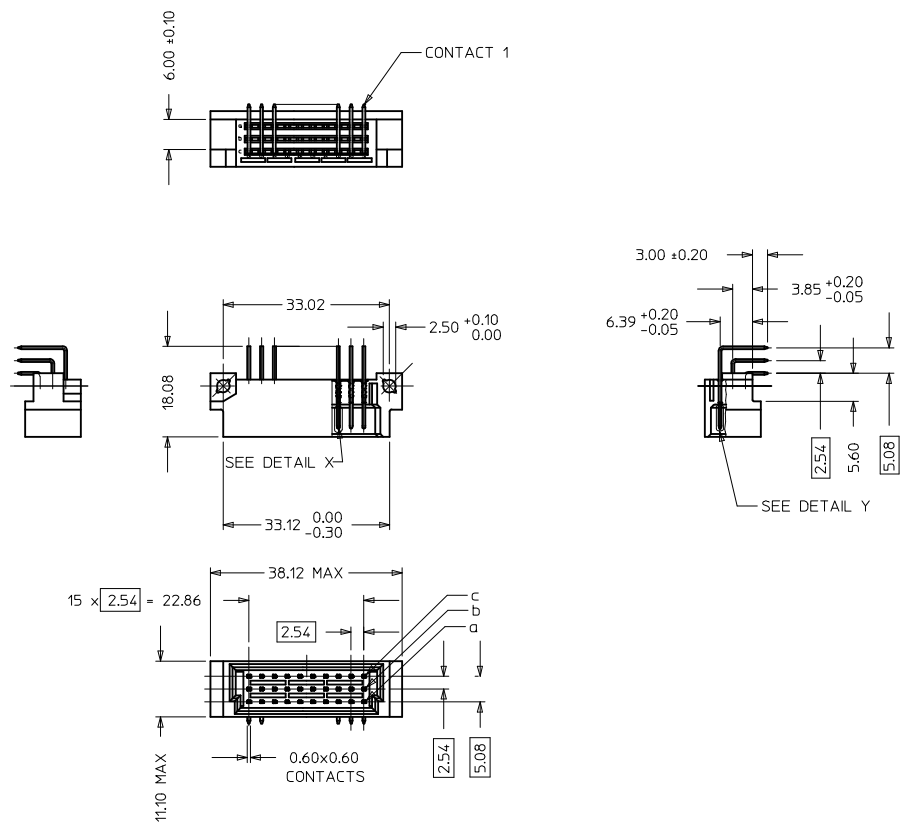
Current - Maximum per Contact	1A
Data Rate	622.0 Mbps
Voltage - Maximum	250V AC (RMS)

**Material Info****Reference - Drawing Numbers**

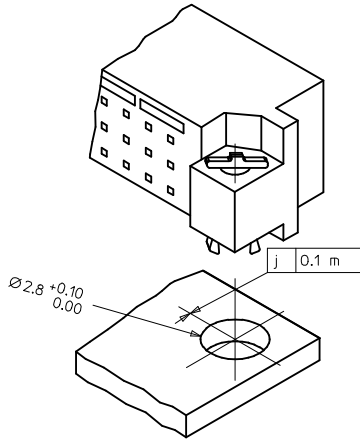
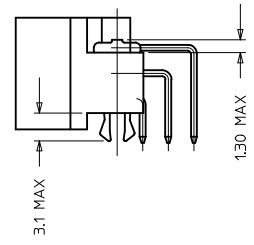
Sales Drawing	SD-85003-0003, SD-85003-9013
---------------	------------------------------

This document was generated on 05/17/2010

**PLEASE CHECK [WWW.MOLEX.COM](http://WWW.MOLEX.COM) FOR LATEST PART INFORMATION**

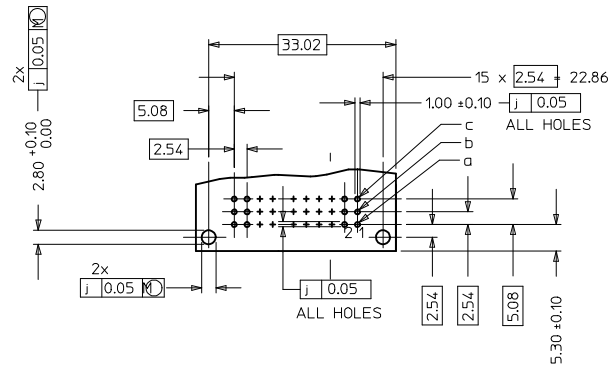


WITH MOUNTING CLIPS  
8:1



- NOTES:
- MATERIALS: THERMOPLASTIC POLYESTER, GLASS FILLED.  
UL94V-0. COLOUR: PEBBLE GREY RAL 7032  
TERMINAL - BRASS  
MOUNTING CLIP: STEEL
  - FINISH: TERMINAL:-  
CONTACT AREA  
1. PERFORMANCE LEVEL 1: SELECTIVE GOLD (Au), THICKNESS = 1.1 MICROMETER OVER NICKEL, THICKNESS = 1.25 MICROMETER  
2. PERFORMANCE LEVEL 2: SELECTIVE GOLD (Au), THICKNESS = 0.6 MICROMETER OVER NICKEL, THICKNESS = 1.25 MICROMETER  
3. PERFORMANCE LEVEL 3: SELECTIVE GOLD (Au), THICKNESS = 0.3 MICROMETER OVER NICKEL, THICKNESS = 1.25 MICROMETER  
TERMINATION AREA:  
SELECTIVE TIN, THICKNESS = 2.5 MICROMETER OVER NICKEL, THICKNESS = 1.25 MICROMETER OVERALL
  - MOUNTING CLIP:-  
TIN (Sn), THICKNESS = 5-10 MICROMETER, OVER NICKEL (Ni), THICKNESS = 2.5 MICROMETER
  - FOR NON MOUNTING CLIP OPTION, CONNECTOR TO BE SECURED WITH RIVETS: 2 TUBULAR RIVETS 2.5 x 0.3 ... DIN 7340  
SCREWS: 2 CHEESEHEAD SCREWS M2.5 x ... DIN 84 AND 2 HEXAGONAL NUTS M2.5 DIN 934
  - MATERIAL NUMBER, BATCH CODE, UL AND CSA MARKING TO BE PRINTED ON THE CONNECTOR
  - CUT FACE OF TIP WITHOUT PLATING PERMITTED
  - PRODUCT SPECIFICATION PS : 36502-001

RECOMMENDED PCB LAYOUT  
COMPONENT SIDE

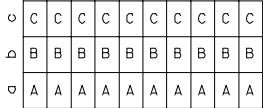


RoHS COMPLIANT

EC NO: 2007-0772 DRAWN: JAVENGO CHKD: SUDHIR APPR: KRASAD 2008/06/19 2009/01/22	QUALITY SYMBOLS ▽=0 ▽=0 DESCRIPTION	GENERAL TOLERANCES (UNLESS SPECIFIED) mm    INCH		DIMENSION STYLE <b>MM ONLY</b>		SCALE <b>2:1</b>	DESIGN UNITS <b>METRIC</b>	THIRD ANGLE PROJECTION	
		4 PLACES ± --- ± --- 3 PLACES ± 0.05 ± --- 2 PLACES ± 0.1 ± --- 1 PLACE ± 0.15 ± --- ANGULAR ± 2 °	DRAWN BY NS DATE 2001/03/01	CHECKED BY GJLOWE DATE 2001/03/01	APPROVED BY GJLOWE DATE 2001/03/01	TITLE <b>ASSEMBLY, DIN 41612, C/3 MALE 30POS</b>		MATERIAL NO. <b>MOLEX INCORPORATED</b>	
DRAFT WHERE APPLICABLE MUST REMAIN WITHIN DIMENSIONS	SEE CHART	THIS DRAWING CONTAINS INFORMATION THAT IS PROPRIETARY TO MOLEX INCORPORATED AND SHOULD NOT BE USED WITHOUT WRITTEN PERMISSION							

20 19 18 17 16 15 14 13 12 11 9 8 7 6 5 4 3 2 1

VIEW ON MATING SIDE



○ △ ○

A = 10 STANDARD CONTACTS L = 3  
 B = 10 STANDARD CONTACTS L = 3  
 C = 10 STANDARD CONTACTS L = 3  
 S = 30 TOTAL NUMBER OF CONTACTS

MARKING	STANDARD
PERFORMANCE LEVEL	G2/O = CONTACT AREA LEVEL 2 / TERMINATION TIN
FLUX PROOF	NO
FIXING CLIP	YES
DIMENSIONS	SD-85003-0003 SHT 1

C	G2/O	c1-10
B	G2/O	b1-10
A	G2/O	a1-10
CONTACT SYMBOL	PERFORMANCE LEVEL	CONTACT POSITION NUMBER

EC NO. I 2004-XXXX DRAWN N.S.: 09/09/03 CHK'd G.L.: 09/09/03 APPR. G.L.: 09/09/03	QUALITY SYMBOLS MAJOR $\nabla$ CRITICAL $\nabla$	GENERAL TOLERANCES: (UNLESS SPECIFIED) 4 PLACES $\pm 0.1$ mm $\pm$ INCH 3 PLACES $\pm 0.15$ mm $\pm$ INCH 2 PLACES $\pm 0.2$ mm $\pm$ INCH 1 PLACE $\pm 0.3$ mm $\pm$ INCH	SCALE DESIGN UNITS <input checked="" type="checkbox"/> MM <input type="checkbox"/> INCH	THIRD ANGLE PROJECTION DIMENSIONS: <input type="checkbox"/> MM <input type="checkbox"/> INCH <input checked="" type="checkbox"/> BOTH ONLY	SHT 1 REV REVISE ON CAD ONLY	
	DRAWN BY & DATE N.S. 05/10/01	TITLE: 30 POS MALE CONNECTOR ACCORDING DIN 41612 STYLE C/3 CONTACTS ARRANGEMENT		MOLEX INCORPORATED		
	CHECKED BY & DATE G.L. 05/10/01	APPROVED BY & DATE G.L. 05/10/01		CAD FILENAME SD-85003-9013.S0	MATERIAL NO. 85003-9013	DRAWING NO. SD-85003-9013
	DRAFT WHERE APPLICABLE MUST REMAIN WITHIN DIMENSIONS	THIS DRAWING CONTAINS INFORMATION THAT IS PROPRIETARY TO MOLEX INCORPORATED AND SHOULD NOT BE USED WITHOUT WRITTEN PERMISSION.				

19 18 17 16 15 14 13 12 11 10 9 8 7 6 5 4 3 2 1