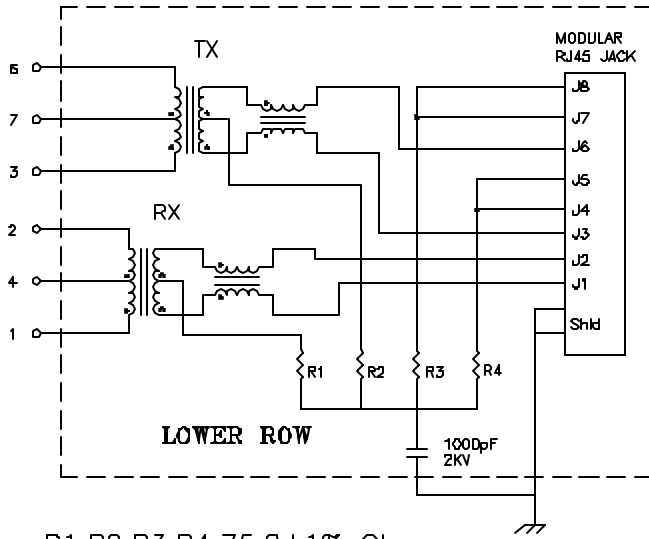
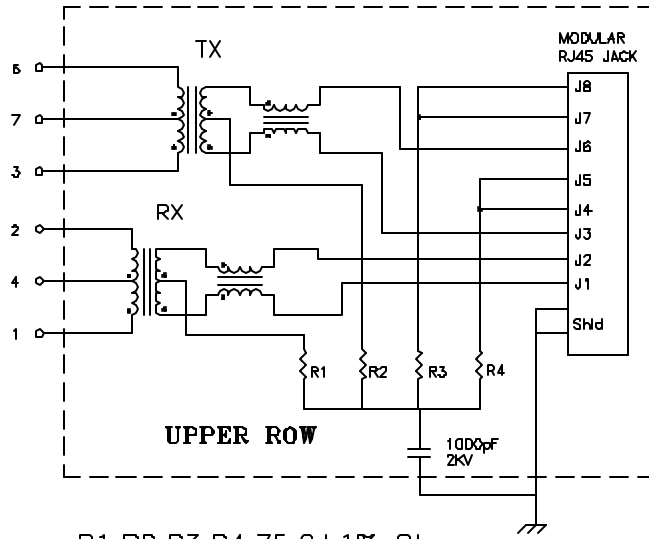


Schematic:



R1,R2,R3,R4:75.0±1% Ohms



R1,R2,R3,R4:75.0±1% Ohms

Electrical Specifications: 25°C

- URNS RATIO: TX 1CT:1CT±3%, RX 1CT:1CT±3%
- Isolation Voltage: 1500 Vrms (INPUT to OUTPUT)
- UTP SIDE OCL: 350uH Min @100KHz 100mV 8mADC
- Rise Time (10–90%): 2.5ns Typical
- Insertion Loss (1–100MHz): –1.0dB Maximum
- Insertion Loss (100MHz–125MHz): –1.5dB Typ.
- Return Loss: –20dB Typ. @30MHz
- 12dB Typ @80MHz
- Crosstalk 32MHz: 40.0dB Min
- 62MHz: 35.0dB Min
- 100MHz: 30.0dB Min
- CMRR 100KHz–100MHz: 35.0dB Typ

Notes:

1. Solderability: Leads shall meet MIL–STD–202G, Method 208H for solderability.
2. Flammability: UL94V–0
3. ASTM oxygen index: > 28%
4. Insulation System: Class F 155°C. UL file E151556
5. Operating Temperature Range: All listed parameters are to be within tolerance from –40°C to +85°C
6. Storage Temperature Range: –55°C to +125°C
7. Aqueous wash compatible
8. Electrical and mechanical specifications 100% tested
9. RoHS Compliant Component

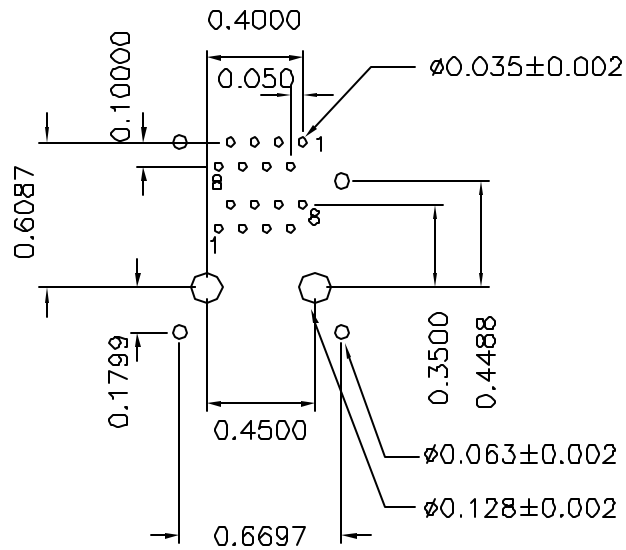
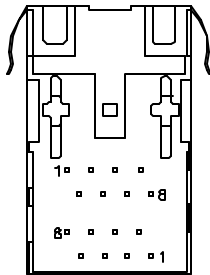
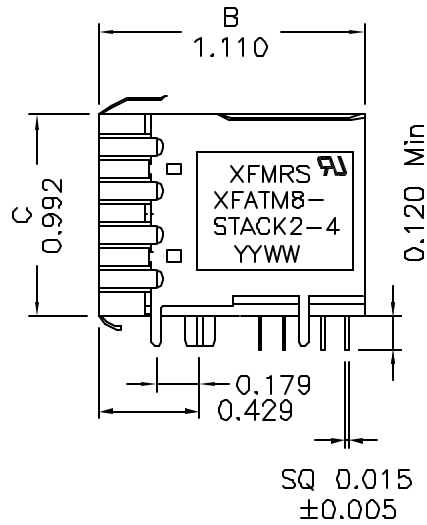
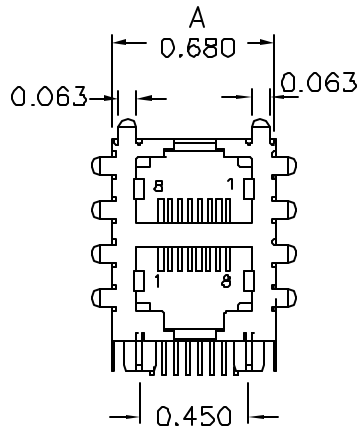
DOC. REV. A/4

XFMRs Inc. www.XFMRs.com	Title: 1x2 STACKED COMBO SERIES		
	UNLESS OTHERWISE SPECIFIED TOLERANCES: .xxx ±0.010 Dimensions in Inch	P/N: XFATM8–STACK2–4	REV. A
SHEET 1 OF 2	DWN.	Juan Mao	Jan–02–07
	CHK.	YK liao	Jan–02–07
	APP.	BW	Jan–02–07

PROPRIETARY:

Document is the property of XFMRs Group & is not allowed to be duplicated without authorization.

Mechanical Dimensions:



DOC. REV: A/4

XFMRs Inc. www.XFMRs.com	Title: Mechanical Dimensions For 1X2 STACKED COMBO Series		
	P/N: XFATM8-STACK2-4		REV. A
UNLESS OTHERWISE SPECIFIED TOLERANCES: .xxx ±0.0100 Dimensions in Inch	DWN.	Juan Mao	Jan-02-07
	CHK.	YK Liao	Jan-02-07
	APP.	BW	Jan-02-07
SHEET 2 OF 2			

PROPRIETARY:

Document is the property of XFMRs Group & is not allowed to be duplicated without authorization.