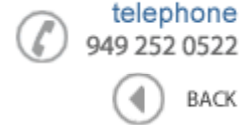


**Data Sheet**

Product Category: Filters

Series Number	Package	Description	Last Modified
731	Ceramic LT/W	455 KHz 6 Element	Jan. 01 2008

Filter FEATURES

- Ultra small size
- 8.0mm profile
- Broadband width
- High selectivity
- 6 element
- RoHS Compliant

**OPERATING CONDITIONS / ELECTRICAL CHARACTERISTICS / PART NUMBER GUIDE**

PART NO.	6dB Bandwidth	50dB Bandwidth	Pass Band Ripple	Spurious Attenuation fn ±100KHz	Insertion Loss	In/Output Impedance
	KHz min.	KHz max.	dB max.	dB min.	dB max.	Kohm
731-455-AW	±17	±35	2	40	4	1
731-455-BW	±15	±30	2	40	4	1.5
731-455-CW	±12.5	±24	2	40	4	1.5
731-455-DW	±10	±20	2	40	4	1.5
731-455-EW	±7.5	±15	2	40	6	1.5
731-455-FW	±6	±12.5	2	40	6	2
731-455-GW	±4.5	±10	2	40	6	2
731-455-HW	±3	±9	2	40	6	2
731-455-IW	±2	±7.5	2	40	6	2
731-455-HT	±3	±9	2	60	6	2
731-455-IT	±2	±7.5	2	60	6	2

NOTE: Deviations on all parameters available. Please consult Oscilent for details.**DEFINITIONS:** Click on the characteristic names above, for definitions of the particular characteristic.

PACKAGE DIMENSIONS (mm)

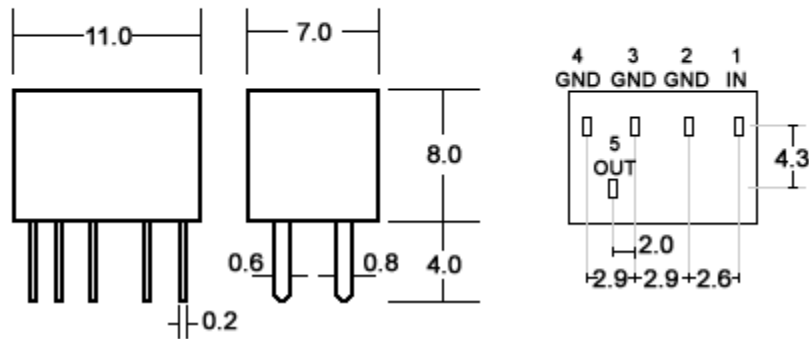
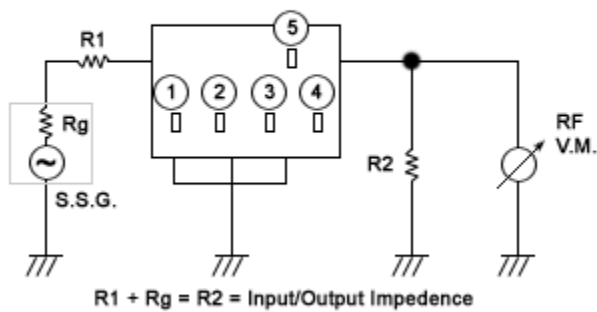


Figure 1) Front and Side Views



Oscilent Corporation - CALL **949.252.0522**
 18195 East McDermott Street . Building D . Irvine . CA 92614 . USA
 Fax: 949.252.0599 . E-Mail: Sales@Oscilent.com

Series No.: 731