

Technical Data Sheet
Top View LEDs

67-22/G3G3C-B45/2T

Features

- P-LCC-4 package
- Optical indicator
- Colorless clear window
- Ideal for backlight and light pipe application
- Inter reflector
- Wide viewing angle
- Suitable for vapor-phase reflow, Infrared reflow and wave solder processes.
- Computable with automatic placement equipment
- Available on tape and reel (8mm Tape)
- Pb-free
- The product itself will remain within RoHS compliant version



Descriptions

- The 67-22 series is available in soft orange, green, blue and yellow. Due to the package design, the LED has wide viewing angle and optimized light coupling by inter reflector. This feature makes ideal for light pipe application. The low current requirement makes this device ideal for portable equipment or any other application where power is at a premium.

Applications

- Telecommunication: indicator and backlighting in telephone and fax
- Flat backlight for LCD's, switches and symbols
- Light pipe application
- General use

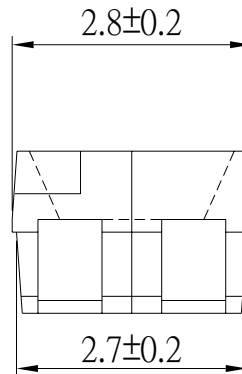
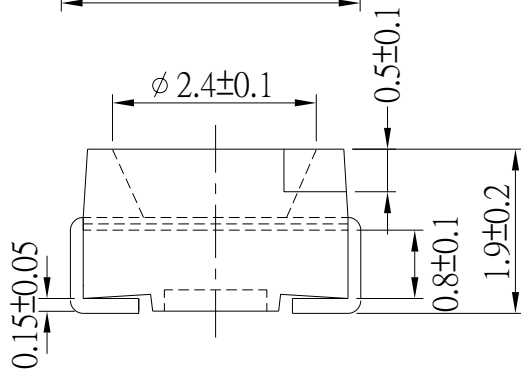
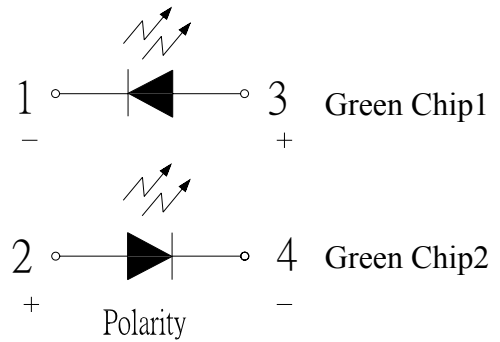
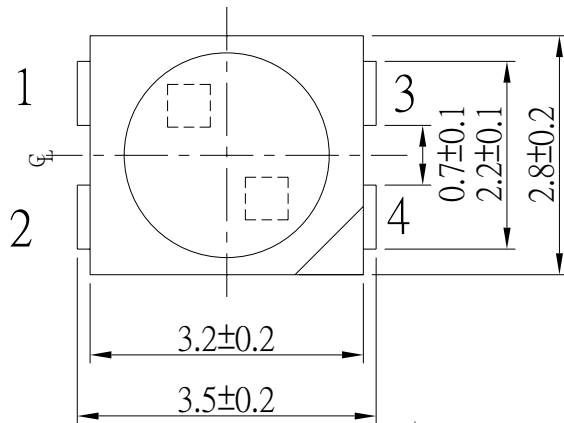
Device Selection Guide

Chip		Emitted Color	Resin Color
Type	Material		
G3	GaP	Pale Green	Water Clear
G3	GaP	Pale Green	

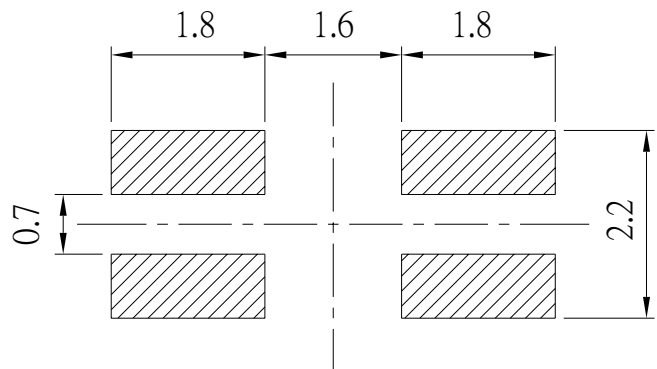
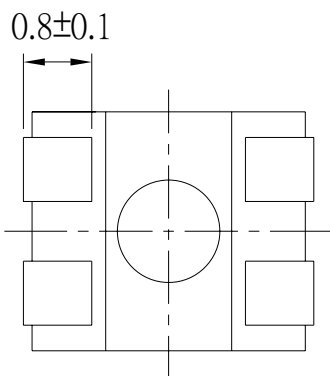
Technical Data Sheet
Top View LEDs

67-22/G3G3C-B45/2T

Package Dimensions



For reflow soldering(propose)



Note: The tolerance unless mentioned is ± 0.1 mm.

Technical Data Sheet
Top View LEDs
67-22/G3G3C-B45/2T
Absolute Maximum Ratings (Ta=25°C)

Parameter	Symbol	Rating	Unit	
Reverse Voltage	V_R	5	V	
Forward Current	I_F	G3	30	mA
		G3		
Peak Forward Current (Duty 1/10 @ 1KHz)	I_{FP}	G3	60	mA
		G3		
Power Dissipation	P_d	G3	100	mW
		G3		
Operating Temperature	T_{opr}	-40 ~ +85	°C	
Storage Temperature	T_{stg}	-40~ +90	°C	
Soldering Temperature	T_{sol}	Reflow soldering : 260 °C for 10 sec. Hand soldering : 350 °C for 3 sec.		

Technical Data Sheet
Top View LEDs

67-22/G3G3C-B45/2T

Electro-Optical Characteristics (Ta=25°C)

Parameter	Symbol	Min.	Typ.	Max.	Unit	Condition	
Luminous Intensity	I _v	G3	4.5	10.0	36.0	mcd	
		G3					
Viewing Angle	2θ1/2	-----	120	-----	deg	I _F =10mA	
Peak Wavelength	λ _p	G3	-----	565	-----		nm
		G3					
Dominant Wavelength	λ _d	G3	563.5	-----	571.5		nm
		G3					
Spectrum Radiation Bandwidth	Δλ	G3	-----	30	-----		nm
		G3					
Forward Voltage	V _F	G3	1.7	2.0	2.4	V	
		G3					
Reverse Current	I _R	G3	-----	-----	10	μA	
		G3					

Notes:

1. Tolerance of Luminous Intensity : ±11%
2. Tolerance of Dominant Wavelength : ±1nm
3. Tolerance of Forward Voltage : ±0.1V

Technical Data Sheet
Top View LEDs**67-22/G3G3C-B45/2T****Bin Range of Dominant Wavelength**

Chip	Bin Code	Min.	Max.	Unit	Condition
G3	C13	563.5	565.5	nm	I _F =10mA
	C14	565.5	567.5		
	C15	567.5	569.5		
	C16	569.5	571.5		

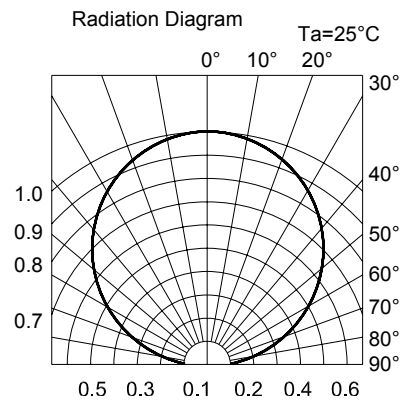
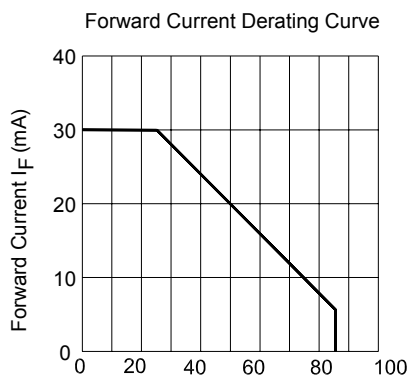
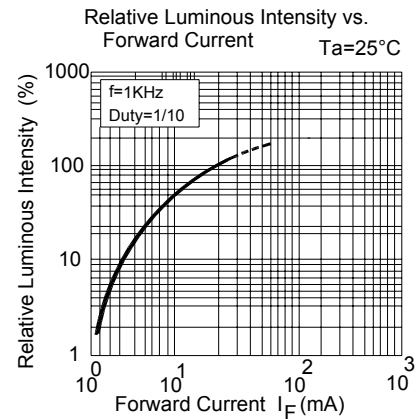
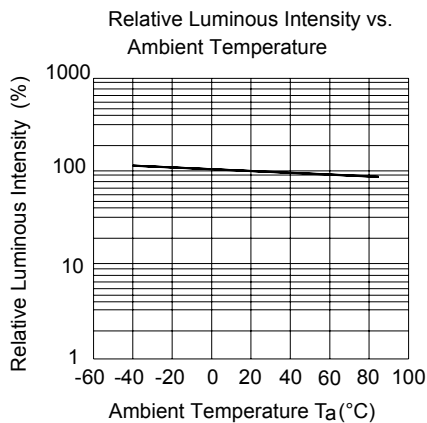
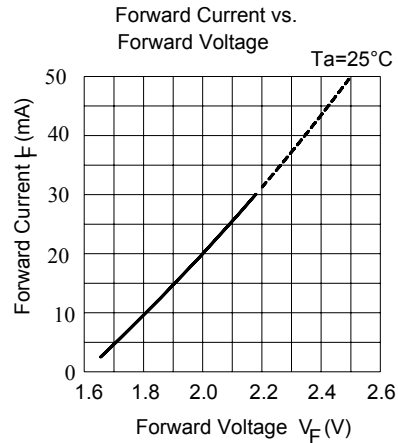
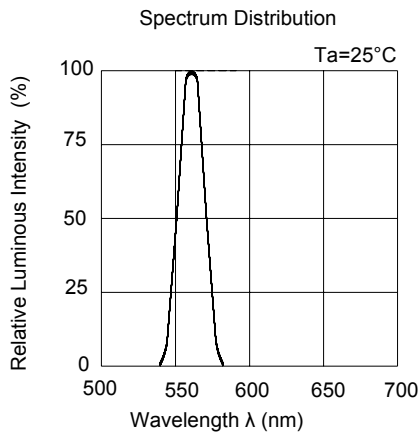
Notes:

1. Tolerance of Dominant Wavelength: ± 1 nm

Technical Data Sheet
Top View LEDs

67-22/G3G3C-B45/2T

Typical Electro-Optical Characteristics Curve



Technical Data Sheet
Top View LEDs

67-22/G3G3C-B45/2T

Label Explanation

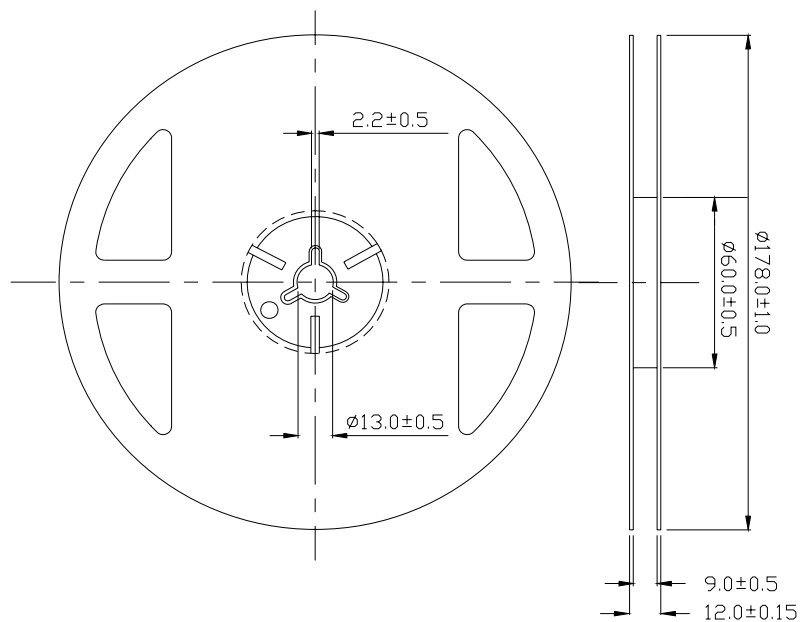
CAT: Luminous Intensity Rank

HUE: Dom. Wavelength Rank

REF: Forward Voltage Rank



Reel Dimensions

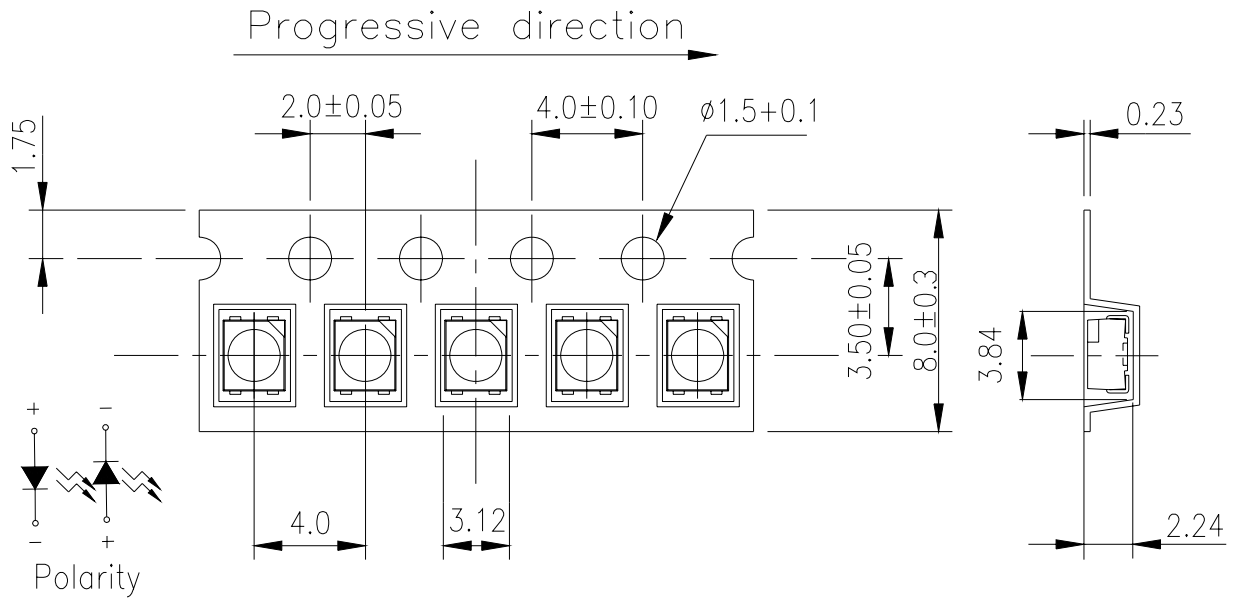


Note: The tolerance unless mentioned is ± 0.1 mm.

Technical Data Sheet
Top View LEDs

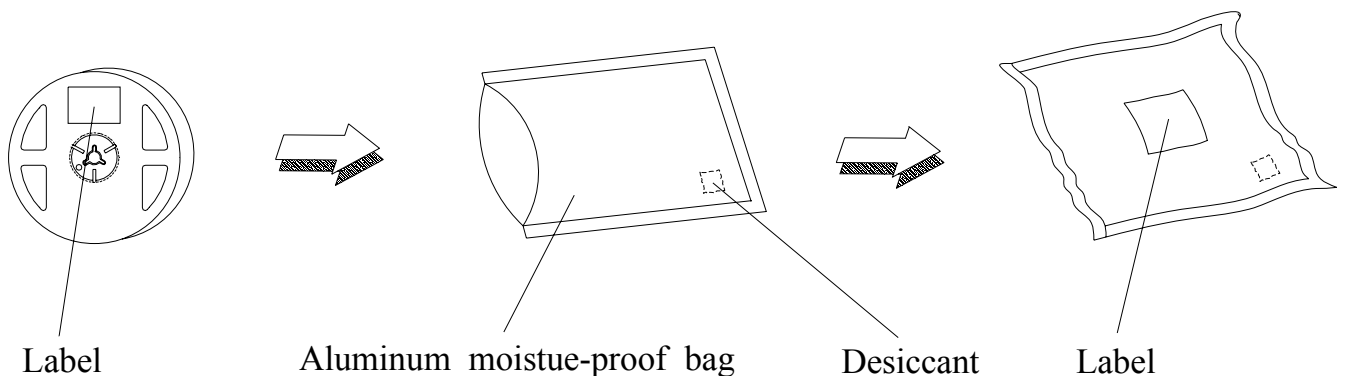
67-22/G3G3C-B45/2T

Carrier Tape Dimensions: Loaded Quantity 2000 pcs. Per Reel



Note: The tolerance unless mentioned is ± 0.1 mm.

Moisture Resistant Packaging



Technical Data Sheet

Top View LEDs

67-22/G3G3C-B45/2T

Reliability Test Items and Conditions

The reliability of products shall be satisfied with items listed below.

Confidence level : 90%

LTPD : 10%

No.	Items	Test Condition	Test Hours/Cycles	Sample Size	Ac/Re
1	Reflow Soldering	Temp. : 260°C±5°C Min. 10sec.	6 Min.	22 PCS.	0/1
2	Temperature Cycle	H : +100°C 15min ┆ 5 min L : -40°C 15min	300 Cycles	22 PCS.	0/1
3	Thermal Shock	H : +100°C 5min ┆ 10 sec L : -10°C 5min	300 Cycles	22 PCS.	0/1
4	High Temperature Storage	Temp. : 100°C	1000 Hrs.	22 PCS.	0/1
5	Low Temperature Storage	Temp. : -40°C	1000 Hrs.	22 PCS.	0/1
6	DC Operating Life	I _F = 10 mA	1000 Hrs.	22 PCS.	0/1
7	High Temperature / High Humidity	85°C/85%RH.	1000 Hrs.	22 PCS.	0/1

Technical Data Sheet
Top View LEDs

67-22/G3G3C-B45/2T

Precautions for Use

1. Over-current-proof

Customer must apply resistors for protection , otherwise slight voltage shift will cause big current change (Burn out will happen).

2. Storage

2.1 Do not open moisture proof bag before the products are ready to use.

2.2 Before opening the package, the LEDs should be kept at 30°C or less and 90%RH or less.

2.3 After opening the package: The LED's floor life are 72 hours under 30°C or less and 60% RH or less.

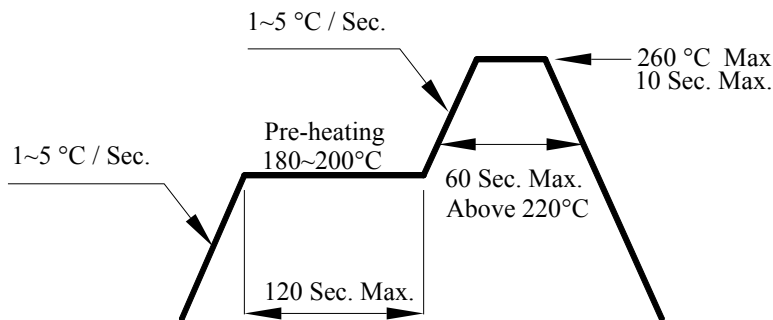
If unused LEDs remain, it should be stored in moisture proof packages.

2.4 If the moisture absorbent material (silica gel) has faded away or the LEDs have exceeded the storage time, baking treatment should be performed using the following conditions.

Baking treatment : 60±5°C for 24 hours.

3. Soldering Condition

3.1 Pb-free solder temperature profile



3.2 Reflow soldering should not be done more than two times.

3.3 When soldering, do not put stress on the LEDs during heating.

3.4 After soldering, do not warp the circuit board.

Technical Data Sheet

Top View LEDs

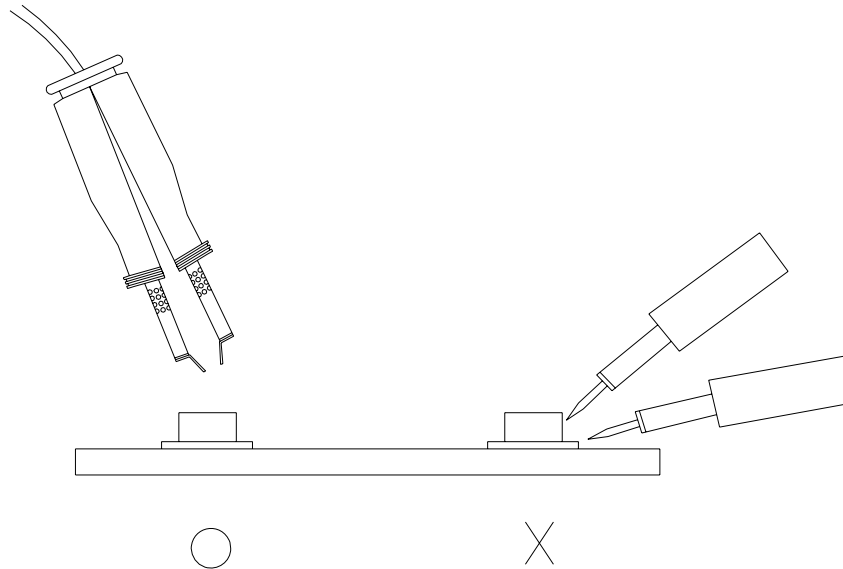
67-22/G3G3C-B45/2T

4. Soldering Iron

Each terminal is to go to the tip of soldering iron temperature less than 350°C for 3 seconds within once in less than the soldering iron capacity 25W. Leave two seconds and more intervals, and do soldering of each terminal. Be careful because the damage of the product is often started at the time of the hand solder.

5. Repairing

Repair should not be done after the LEDs have been soldered. When repairing is unavoidable, a double-head soldering iron should be used (as below figure). It should be confirmed beforehand whether the characteristics of the LEDs will or will not be damaged by repairing.



EVERLIGHT ELECTRONICS CO., LTD.
Office: No 25, Lane 76, Sec 3, Chung Yang Rd,
Tucheng, Taipei 236, Taiwan, R.O.C

Tel: 886-2-2267-2000, 2267-9936
Fax: 886-2267-6244, 2267-6189, 2267-6306
<http://www.everlight.com>