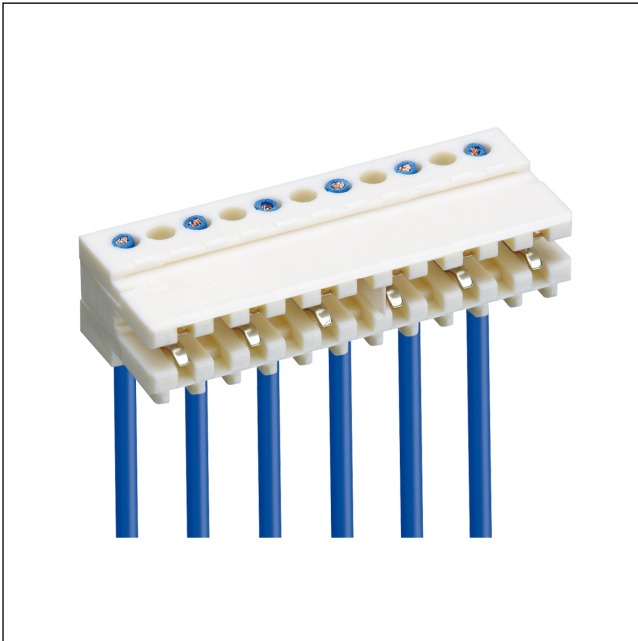


35

3511

RAST 2.5 connectors, pitch 2.5/5.0 mm



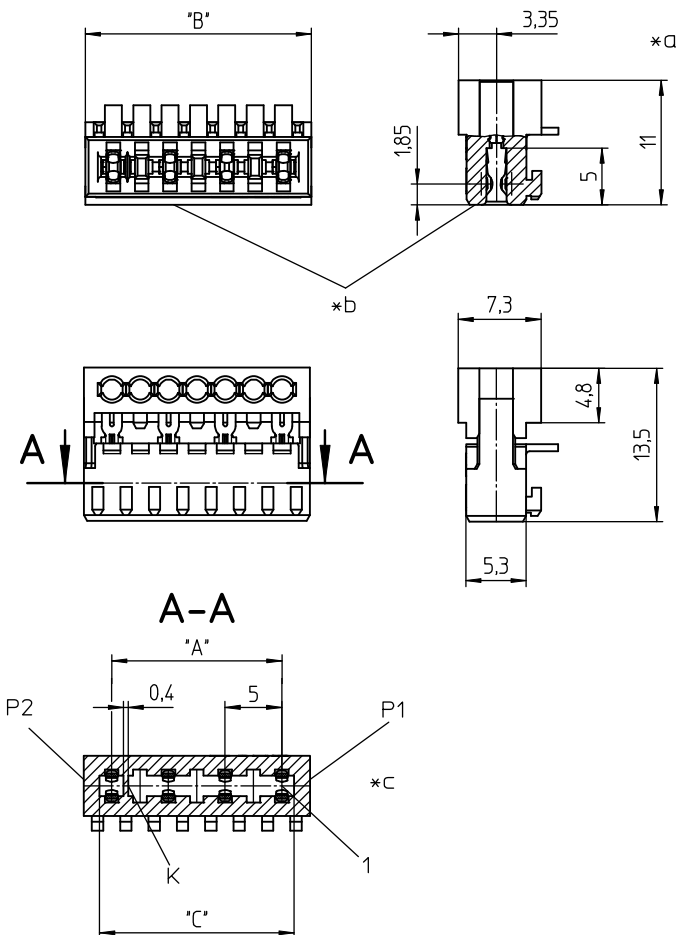
RAST 2.5 connector for direct mating, insulation displacement technology (IDT), alternatively with or without keying rib and closed sides, for individual conductors
contact pitch 5.0 mm

Approvals:



35

3511



Environmental conditions

Temperature range -40 °C/+130 °C¹

¹ upper limit temperature (insulating body) RTI (electrical) of the UL Yellow Card


Materials

Insulating body PBT, V-0 according to UL94 – 3511 (S...V...)
PA, V-2 according to UL94 – 3511 M12(S...V...)¹


Contact spring CuSn, tin-plated – 3511 (M...S...)
CuSn, tin-plated (Sn/Ag), 2-9 poles – 3511 (M...S...)V03
CuSn, pre-nickel and gold-plated – 3511 (M...S...)V102

¹ M12: component glow wire resistant (GWT 750 °C), testing acc. to IEC 60695-2-11, assessment acc. to IEC 60335-1 (flame < 2 s)

Mechanical data

Mating with printed circuit board 1.5 ± 0.14 mm
Insertion force/contact ≤ 4,0 N
Withdrawal force/contact ≥ 0,5 N
Keying proposals at www.lumberg.com 

Connectable conductors for IDT area

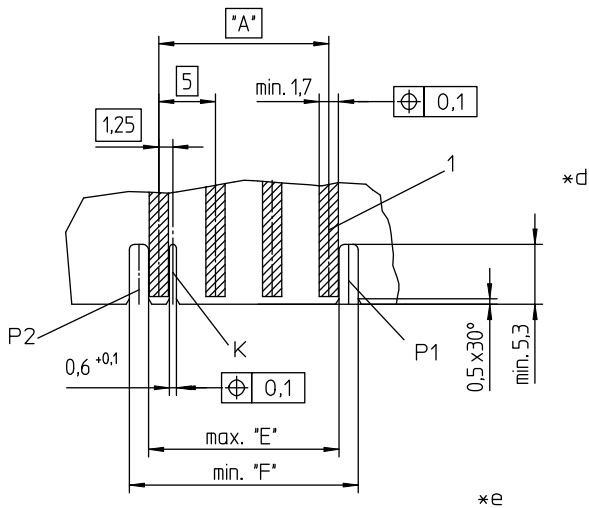
Construction discrete conductor, notched flat cable 2.5 mm
Section min. 0,14 mm²
Section max. 0,38 mm²
Insulation diameter ≤ 1,6 mm
Approved cables at www.lumberg.com 

Electrical data (at T_{amb} 20 °C)

Contact resistance ≤ 5 mΩ
Rated current 4 A (T_U 60 °C)
2 A (T_U 100 °C)
Rated voltage 250 V AC
Material group IIIa (IEC)/2 (UL) (CTI ≥ 250)
Creepage distance 3,1 mm
Clearance 3,1 mm
Insulation resistance > 1 GΩ

35

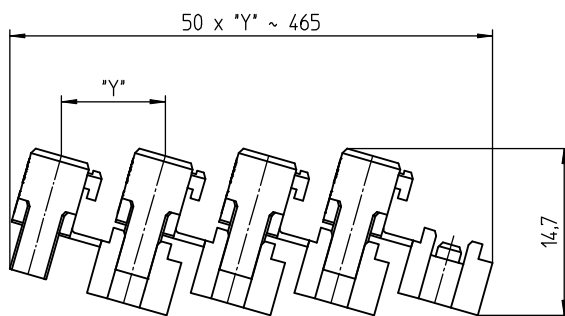
3511



Associated products

Harnessing equipment

<input type="checkbox"/> HA3...e	<input type="checkbox"/> HA35-CA	<input type="checkbox"/> HA35e
<input type="checkbox"/> HA35e-CA	<input type="checkbox"/> HA35e-RK	<input type="checkbox"/> HA35f
<input type="checkbox"/> HA35f-CA	<input type="checkbox"/> HA35f-CA-KC	<input type="checkbox"/> HA35f-CA-KC-KT
<input type="checkbox"/> HA35f-CA-KC-KT-HV	<input type="checkbox"/> HA35f-HV	<input type="checkbox"/> HA35f-KC
<input type="checkbox"/> HA35f-KC-KT	<input type="checkbox"/> HA35f-RK	<input type="checkbox"/> HA35f-RK-CA
<input type="checkbox"/> HA35f-RK-CA-KC	<input type="checkbox"/> HA35f-RK-CA-KC-KT	<input type="checkbox"/> HA35f-RK-CA-KC-KT-HV
<input type="checkbox"/> HZ-M35	<input type="checkbox"/> HZ35	<input type="checkbox"/> HZ35-K
<input type="checkbox"/> KHP35	<input type="checkbox"/> VARICON 7000	<input type="checkbox"/> VARICON 7000-RD



- *a terminated connector
- *b color marking:
3511 (M..)S01 blue
3511 (M..)S02 green
3511 (M..)S03 brown
- *c K = keying (alternatively)
P1, P2 = positioning (alternatively)
- *d example for printed circuit board layout
- *e chaining of the component parts (state of delivery)

35

3511

Designation	Pole Number	PU (Pieces)	MDQ (Pieces)	Dimensions				
				A (mm)	B (mm)	C (mm)	E (mm)	F (mm)
3511 02	2	3600	3600	5.0	9.9	7.0	6.95	10.1
3511 03	3	2250	2250	10.0	14.9	12.0	11.95	15.1
3511 04	4	1800	3600	15.0	19.9	17.0	16.95	20.1
3511 05	5	1350	2700	20.0	24.9	22.0	21.95	25.1
3511 06	6	900	2700	25.0	29.9	27.0	26.95	30.1
3511 07	7	900	2700	30.0	34.9	32.0	31.95	35.1
3511 08	8	900	2700	35.0	39.9	37.0	36.95	40.1
3511 09	9	450	2700	40.0	44.9	42.0	41.95	45.1
3511 10	10	450	2700	45.0	49.9	47.0	46.95	50.1

Designation to be completed by further details (e.g. for keying, color or material options).

Packaging:

chained, in a cardboard box