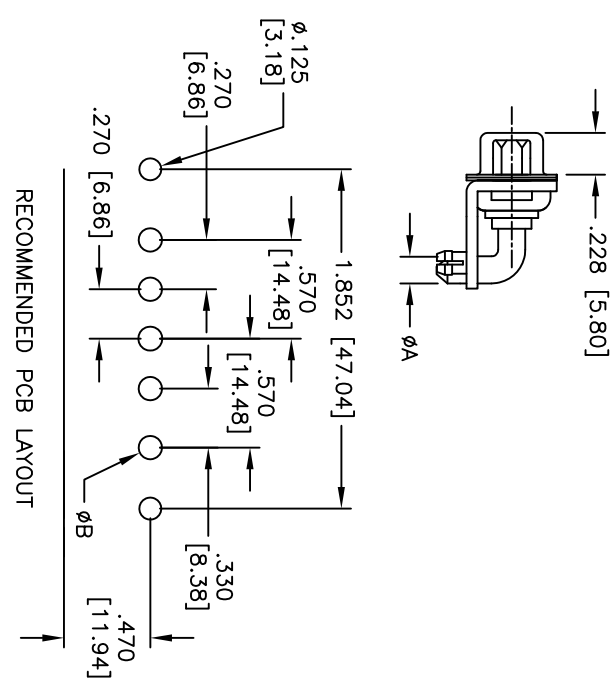
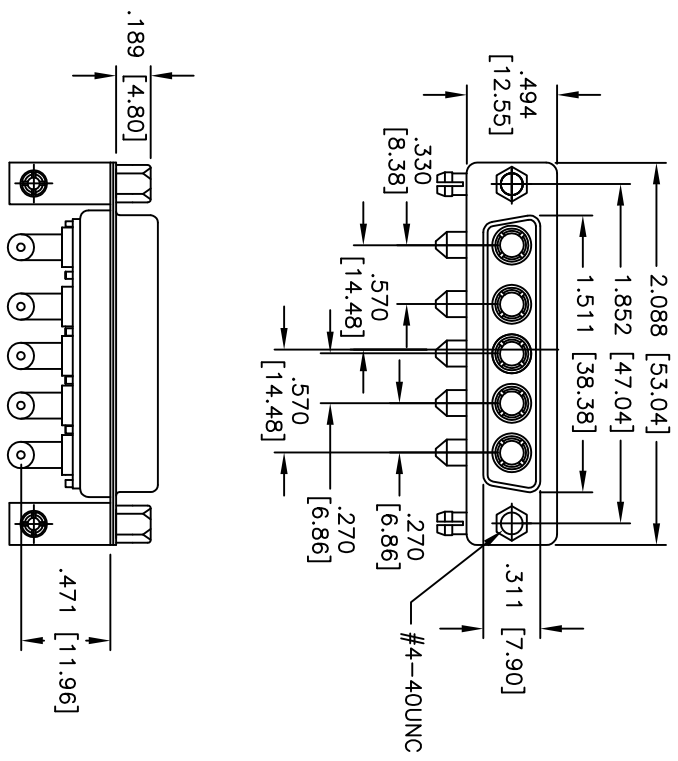


Rev	AWO #	Description	Date	Appr
-		RELEASED	4/06/11	

APPROVED: _____
 DATE: _____ TITLE: _____



PART NO.	CURRENT RATING	DIMENSION	
		ØA	ØB
DSW5-SLP-3-2A	10 AMPS	Ø.067 [1.70]	Ø.087 [2.20]
DSW5-SLP-4-2A	20 AMPS	Ø.110 [2.80]	Ø.129 [3.28]
DSW5-SLP-5-2A	30 AMPS	Ø.126 [3.20]	Ø.144 [3.65]
DSW5-SLP-6-2A	40 AMPS	Ø.148 [3.75]	Ø.165 [4.20]

B SPECIFICATIONS:

Material: Insulator: PBT, glass reinforced, rated UL 94V-0
 Insulator color: Black
 Contacts: Brass
 Shell: Steel, Tin plated
 Hardware: Brass, Nickel plated
 Plating: Gold flash over Nickel underplate overall

A Electrical:

Current rating: 10, 20, 30, 40 Amps max. (See Chart)
 Contact resistance: 10 mohms max
 Insulation resistance: 5,000 Mohms min
 Dielectric withstanding voltage: 1,000 VAC for 1 minute
 Temperature Rating: Operating temperature: -55°C to +125°C

Environmental: Lead free, RoHS compliant
 Recommended soldering temp: 235°C for 5 seconds



UNLESS OTHERWISE SPECIFIED
 ALL DIMENSIONS ARE INCHES [MM]
 TOLERANCES: EXCEPT AS NOTED
 INCHES Holes
 .X ±.10 Ø.X ±.10
 .XX ±.020 Ø.XXX ±.015
 .XXX ±.015 Ø.XXXX ±.010

ADAM TECH

909 Rahway Avenue, Union, NJ 07083
 Phone: 908-687-5000 Fax: 908-687-5710

TITLE: D-SUB, FEMALE POWER, DSW5, RIGHT ANGLE, PCB 10A, 20A, 30A, 40A

APPROVALS	DATE	SIZE	PART NO.	REV.
DRAWN	DY	4/06/11		
CHECKED				
APPROVED				

REF: S0009T SCALE: NTS SHEET 1 OF 1