

**PLEASE CHECK WWW.MOLEX.COM FOR LATEST PART INFORMATION**

**Part Number:** [0878320628](#)  
**Status:** **Active**  
**Overview:** milligrid  
**Description:** 2.00mm (.079") Pitch Milli-Grid™ Header, Surface Mount, Vertical, Shrouded, Lead-free, 6 Circuits, 0.38µm (15µ") Gold (Au) Plating, without PCB Locator, with Locking Window, Pick-and-Place Cap, Embossed Tape on Reel

**Documents:**

[3D Model](#) [Product Specification PS-87831-027 \(PDF\)](#)  
[Drawing \(PDF\)](#) [RoHS Certificate of Compliance \(PDF\)](#)

**Agency Certification**

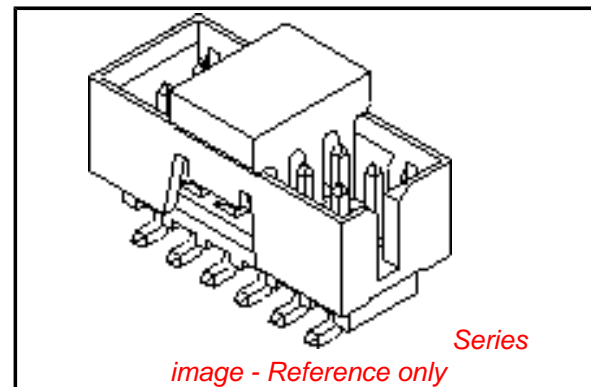
CSA LR19980  
 UL E29179

**General**

Product Family PCB Headers  
 Series [87832](#)  
 Application Wire-to-Board  
 Comments With Cap|Contact Molex for application in automotive industry  
 Overview [milligrid](#)  
 Product Name Milli-Grid™

**Physical**

Breakaway No  
 Circuits (Loaded) 6  
 Circuits (maximum) 6  
 Color - Resin Black  
 First Mate / Last Break No  
 Flammability 94V-0  
 Glow-Wire Compliant No  
 Guide to Mating Part No  
 Keying to Mating Part Yes  
 Lock to Mating Part Yes  
 Material - Metal Phosphor Bronze  
 Material - Plating Mating Gold  
 Material - Plating Termination Tin  
 Material - Resin Nylon  
 Number of Rows 2  
 Orientation Vertical  
 PCB Locator No  
 PCB Retention None  
 Packaging Type Embossed Tape on Reel  
 Pitch - Mating Interface (in) 0.079 In  
 Pitch - Mating Interface (mm) 2.00 mm  
 Pitch - Term. Interface (in) 0.079 In  
 Pitch - Term. Interface (mm) 2.00 mm  
 Plating min: Mating (µin) 15  
 Plating min: Mating (µm) 0.38  
 Plating min: Termination (µin) 75  
 Plating min: Termination (µm) 1.88  
 Polarized to Mating Part Side Slots (2)  
 Polarized to PCB No  
 Shrouded Fully  
 Stackable No



**EU RoHS**

**ELV and RoHS Compliant**  
**REACH SVHC Contains SVHC: No**  
**Halogen-Free Status**  
**Not Reviewed**

**China RoHS**



**Need more information on product environmental compliance?**

Email [productcompliance@molex.com](mailto:productcompliance@molex.com)  
 For a multiple part number RoHS Certificate of Compliance, [click here](#)

Please visit the [Contact Us](#) section for any non-product compliance questions.

**Search Parts in this Series**

[87832Series](#)

**Mates With**

[50394](#) Wire-to-Board Terminals. [51110](#) Wire-to-Board Crimp Housing. [87568](#) Wire-to-Board IDT Housings. [79107](#) Board-to-Board Top Entry Through Hole Receptacle. [79108](#) Board-to-Board FFC/FPC Top Entry Through Hole Receptacle. L

Temperature Range - Operating	-55°C to +105°C
Termination Interface: Style	Surface Mount

### **Electrical**

Current - Maximum per Contact	2A
Voltage - Maximum	125V

### **Solder Process Data**

Duration at Max. Process Temperature (seconds)	10
Lead-free Process Capability	Reflow Capable (SMT only)
Max. Cycles at Max. Process Temperature	1
Process Temperature max. C	260

### **Material Info**

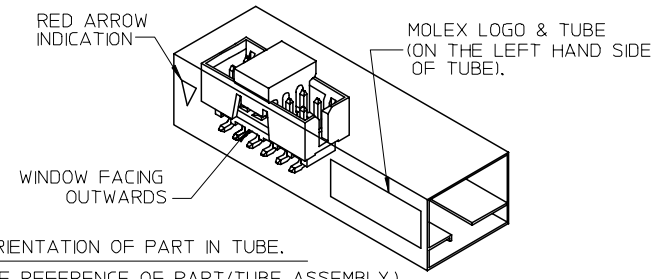
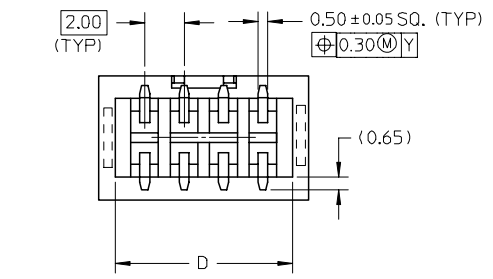
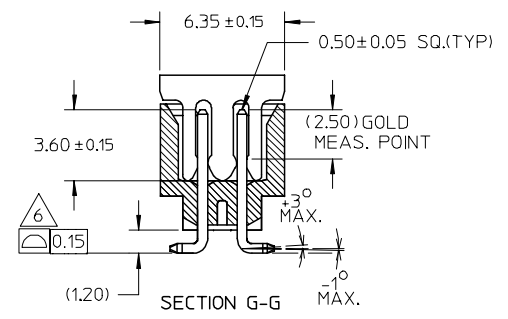
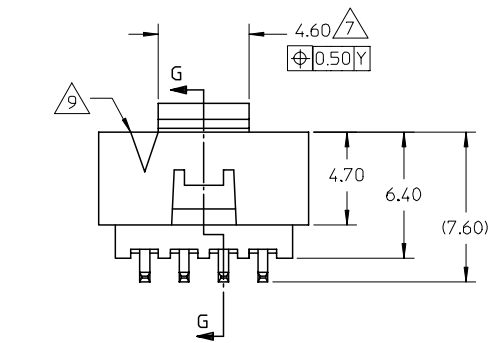
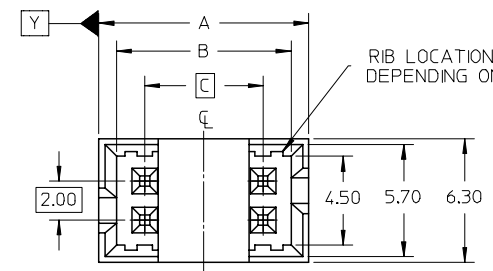
### **Reference - Drawing Numbers**

Product Specification	PS-87831-027
Sales Drawing	SD-87832-030

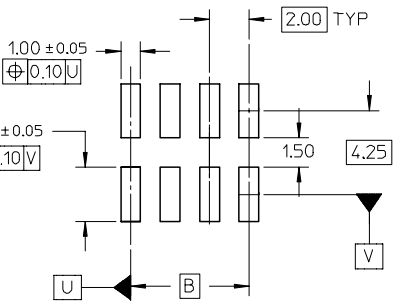
This document was generated on 05/25/2010

**PLEASE CHECK [WWW.MOLEX.COM](http://WWW.MOLEX.COM) FOR LATEST PART INFORMATION**

10 9 8 7 6 5 4 3 2 1



REF : ORIENTATION OF PART IN TUBE.  
(FOR THE REFERENCE OF PART/TUBE ASSEMBLY.)



P/N WITHOUT CAP IN TUBE	P/N WITH CAP IN TUBE	P/N WITH CAP IN TAPE/REEL	CKT SIZE	DIMENSION			
				A	B	C	D
87832-0624	87832-0626	87832-0628	6	8.65	6.85	4.00	7.00
87832-0824	87832-0826	87832-0828	8	10.65	8.85	6.00	9.00
87832-1024	87832-1026	87832-1028	10	12.65	10.85	8.00	11.00
87832-1224	87832-1226	87832-1228	12	14.65	12.85	10.00	13.00

- NOTES:
- FOR ILLUSTRATION PURPOSES, 8 CIRCUIT SIZE WAFER IS SHOWN.
  - MATERIAL :  
HOUSING & CAP : 30% G.F., NYLON 46, UL94V-0, COLOR BLACK.  
PIN : 0.50MM SQ.PHOSPHOR BRONZE.
  - PLATING :  
0.38um/15uin GOLD IN CONTACT AREA AND 1.88um/75uin MIN.TIN IN SOLDER TAIL AREA OVER 1.27um/50uin MIN. NICKEL OVERALL.
  - PIN PUSHOUT FORCE : 0.91 KG MIN. IN EITHER DIRECTION.
  - PRODUCT SPECIFICATION PS-87831-027 APPLIES.
  - COPLANARITY IS TO BE MEASURED BY RESTING THE SOLDER TAIL ON A GAUGE SURFACE.
  - BEND DEPRESSION ON SMT TAIL IS ACCEPTABLE SO LONG AS IT DOES NOT AFFECT THE OVERALL COPLANARITY OF THE TAIL.
  - CAP TO BE POSITION IN THE CENTER OF HEADER FOR PICK AND PLACE.
  - CKT 4 & 6 HAS NO IDENTIFICATION TAG.
  - FOR 4 CKT OPTION, REFER TO 87832-0406.
  - THIS HEADER MATES WITH MOLEX:
    - CRIMP RECEPTACLE HOUSING, 51110 SERIES WITH CRIMP TERMINAL, 50394 SERIES.
    - 2MM MILLIGRID DUAL ROW IDT, 87568 SERIES.
  - PARTS SHALL BE PACKED WITH MOISTURE BARRIER BAG WITH DESICCANT GEL.

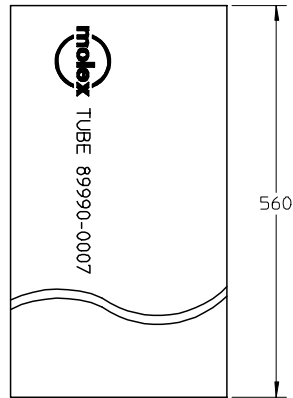
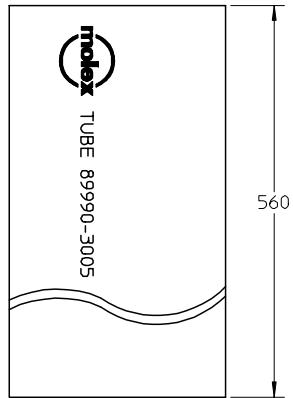
REVISED EC NO: S2008-0049 DRWNS:KANG CHKD:ATSEE APPR:MLONG 2007/10/31 2007/10/31 2007/11/01	QUALITY SYMBOLS ▽=0 ▽C=0	GENERAL TOLERANCES (UNLESS SPECIFIED)		DIMENSION STYLE		SCALE	DESIGN UNITS	THIRD ANGLE PROJECTION			
				MM ONLY		NTS	METRIC				
				mm	INCH	DRAWN BY		DATE		TITLE	
				ANGULAR ± 3 °		KSEE		2004/03/11		MGRID, 2MM, SHROUDED HDR SMT, IN TUBE AND T&R	
				4 PLACES ± --- ± ---		CHECKED BY		DATE			
				3 PLACES ± --- ± ---		PTL IM		2004/03/30			
				2 PLACES ± 0.2 ± ---		APPROVED BY		DATE			
				1 PLACE ± --- ± ---		SCLOW		2004/04/01			
				MATERIAL NO.		DOCUMENT NO.		SHEET NO.			
				DRAFT WHERE APPLICABLE MUST REMAIN WITHIN DIMENSIONS		SEE TABLE		SD-87832-030			
				SIZE		THIS DRAWING CONTAINS INFORMATION THAT IS PROPRIETARY TO MOLEX INCORPORATED AND SHOULD NOT BE USED WITHOUT WRITTEN PERMISSION		1 OF 2			
A5		REV		A3							

9 8 7 6 5 4 3 2 1

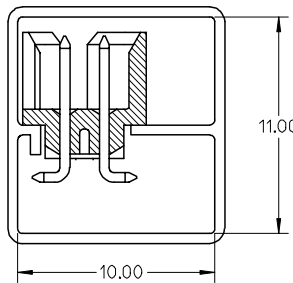
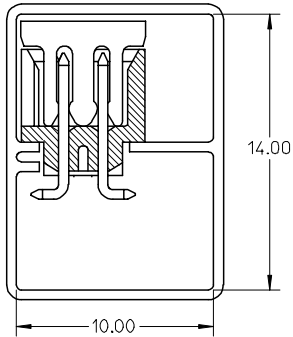
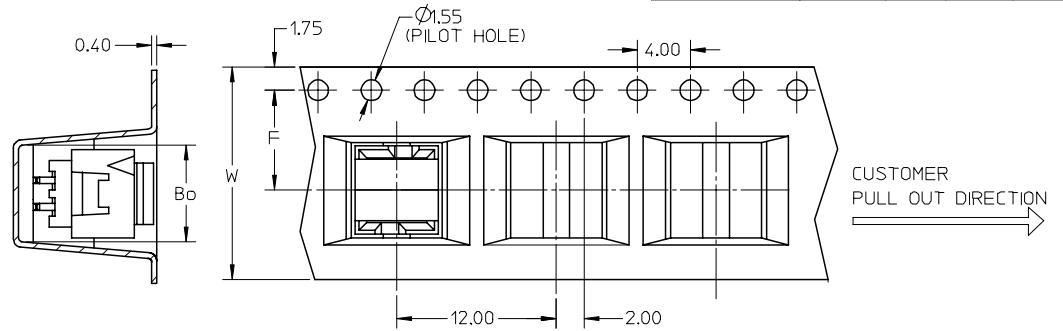
10 WITH CAP  
TUBE PACKAGING

8 WITHOUT CAP  
TUBE PACKAGING

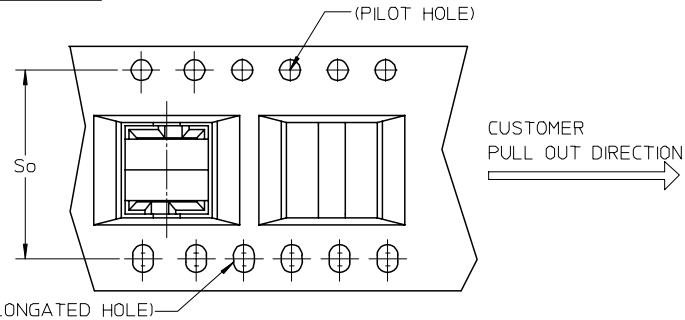
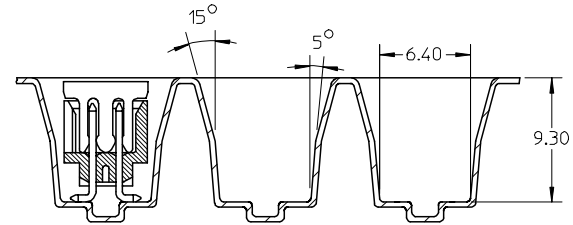
P/N WITH CAP IN T&R	CKT SIZE	F	Bo	So	W
87832-0628	06	11.50	9.15	-	24.00
87832-0828	08	11.50	11.05	-	24.00
87832-1028	10	11.50	13.05	-	24.00
87832-1228	12	14.20	15.15	28.40	32.00



EMBOSSED CARRIER TAPE 'A'

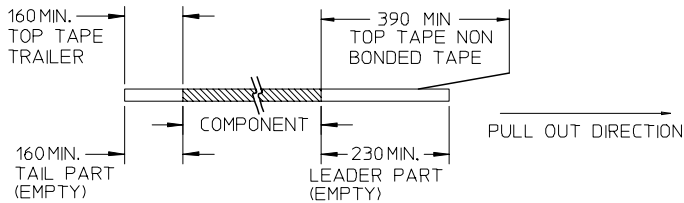


EMBOSSED CARRIER TAPE 'B'

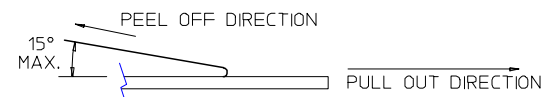


NOTES:

1. LEADER AND TRAILER TAPE



2. PEELING OFF FORCE OF THE TOP TAPE: 20-80gf.  
(PEELING DIRECTION AS SHOWN IN FOLLOWING FIGURE)



3. PACKAGING STANDARD IS AS PER EIA-481.

REVISED EC NO: S2008-0049 2007/10/31 DRWN:SKANG CHKD:ATSEE 2007/10/31 APPR:MLONG 2007/11/01	DESCRIPTION QUALITY SYMBOLS ▽=0 ▽=0	GENERAL TOLERANCES (UNLESS SPECIFIED)		DIMENSION STYLE MM ONLY		SCALE NTS	DESIGN UNITS METRIC	THIRD ANGLE PROJECTION	
		4 PLACES ± --- ± ---	DRAWN BY KSEE	DATE 2004/03/11	TITLE MGRID, 2MM, SHROUDED HDR SMT, IN TUBE AND T&R				
		3 PLACES ± --- ± ---	CHECKED BY PTL IM	DATE 2004/03/30	MOLEX INCORPORATED				
		2 PLACES ± 0.2 ± ---	APPROVED BY SCLOW	DATE 2004/04/01	DOCUMENT NO. SD-87832-030	SHEET NO. 2 OF 2			
1 PLACE ± --- ± ---	ANGULAR ± 3 °		MATERIAL NO. SEE TABLE		THIS DRAWING CONTAINS INFORMATION THAT IS PROPRIETARY TO MOLEX INCORPORATED AND SHOULD NOT BE USED WITHOUT WRITTEN PERMISSION				
A5	REV	DRAFT WHERE APPLICABLE MUST REMAIN WITHIN DIMENSIONS		SIZE A3					