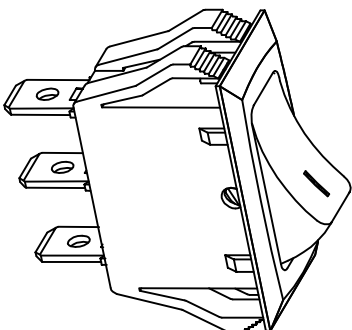
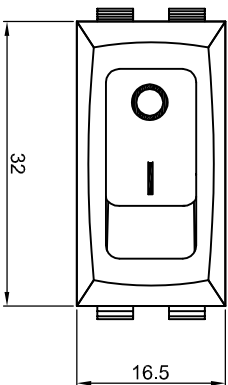




R-2

受控文件



Rating: 16A 125/250VAC (UL CUL )

16 (4) A 250V AC (VDE ENEC CB CQC)

Contact Resistance: 50m Ω (Max)

Insulation Resistance: DC 500V 100M Ω (Min)

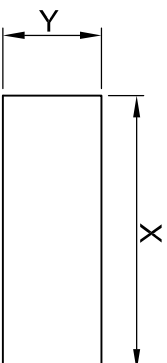
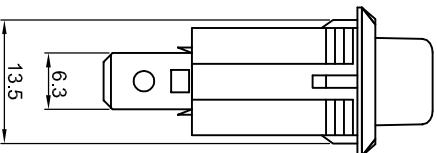
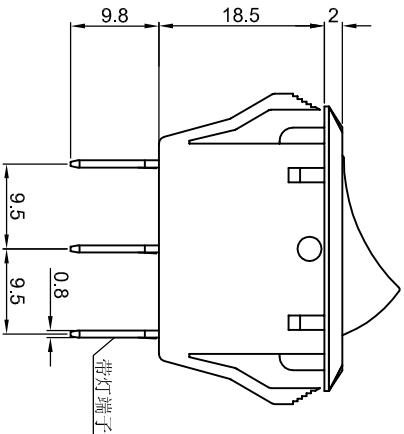
Dielectric Strength: AC1500V 1 minute

Electrical life: 10,000 cycles

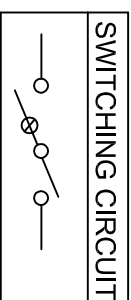
Operating Temperature: 0℃~85℃

Safety Approval:

CUT-OUT



	X	Y
	28.6-0.1	13.8+0.1
	28.8-0.1	13.8+0.1
	29.2-0.1	13.8+0.1



MATERIAL:

Body:Nylon66, UL rated:94V-2 min

Actuator:Nylon66, UL rated:94V-2 min

Terminal:Brass,silver or tin plated

公差 TOLERANCES .X± 0.3 .XX± 0.15

角度 ANGLE ± 1°

单位 DIMENSION UNIT mm.

Marking	柄							
	X	0	1	2	3	4	5	7
		None						
			ON	OFF				

版本 VER.	变更说明 CHANGE DESCRIPTION	日期 DATE	ECN NO.	批准 APPROVED BY	核对 CHECKED BY	日期 DATE	绘图 DRAWN BY	品名 TITLE	图号 DRAWING NO
A1	重新整理发行	2009.09.19	N/A	李新超	李伟奇	2008.04.16	黄雄阳	R-2-110-CXL-BR-220	R-2-110-CXL-BR-220_A1
A0	新发行	2008.04.16	N/A	李新超	李伟奇	2008.04.16	黄雄阳	R-2-110-CXL-BR-220	R-2-110-CXL-BR-220_A1