

TOSHIBA CMOS Digital Integrated Circuit Silicon Monolithic

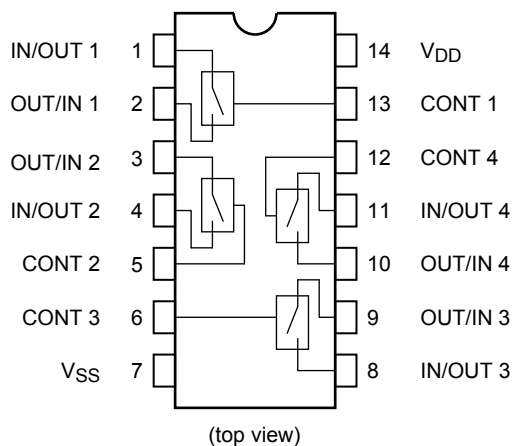
## TC4066BP, TC4066BF, TC4066BFN, TC4066BFT

### TC4066B Quad Bilateral Switch

TC4066B contains four independent circuits of bidirectional switches. When control input CONT is set to "H" level, the impedance between input and output of the switch becomes low and when it is set to "L" level, the impedance becomes high. This can be applied for switching of analog signals and digital signals.

- ON-resistance,  $R_{on}$   
 $250 \Omega$  (typ.):  $V_{DD} - V_{SS} = 5 V$   
 $110 \Omega$  (typ.):  $V_{DD} - V_{SS} = 10 V$   
 $70 \Omega$  (typ.):  $V_{DD} - V_{SS} = 15 V$
- OFF-resistance,  $R_{off}$   
 $R_{off}$  (typ.)  $> 10^9 \Omega$

### Pin Assignment

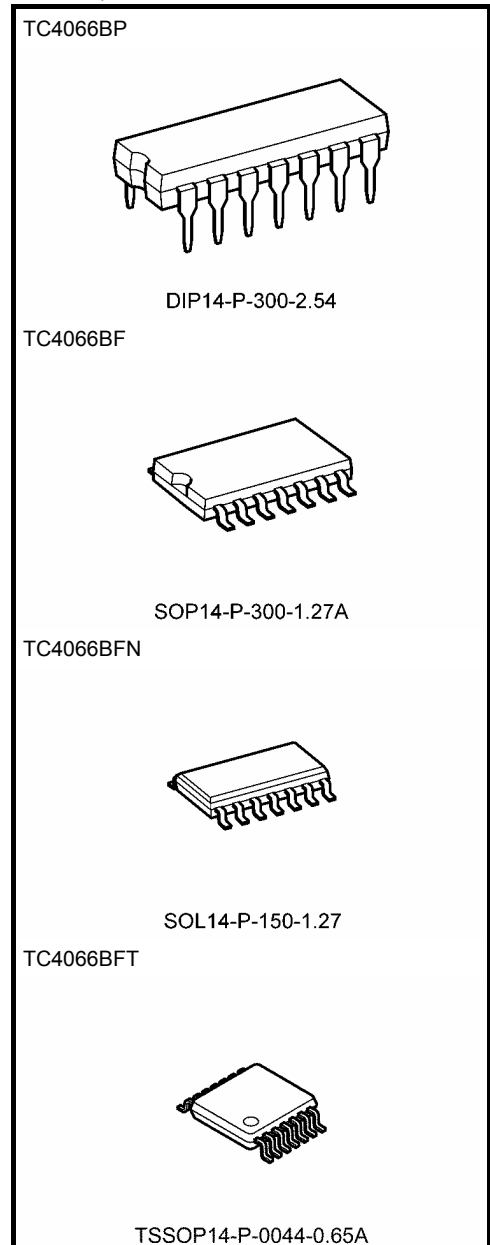


### Truth Table

Control	Impedance between IN/OUT-OUT/IN (Note)
H	$0.5 \text{ to } 5 \times 10^2 \Omega$
L	$> 10^9 \Omega$

Note: See static electrical characteristics

Note: xxxFN (JEDEC SOP) is not available in Japan.

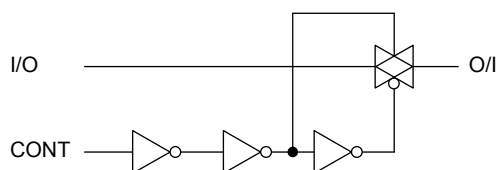


Weight

DIP14-P-300-2.54	: 0.96 g (typ.)
SOP14-P-300-1.27A	: 0.18 g (typ.)
SOL14-P-150-1.27	: 0.12 g (typ.)
TSSOP14-P-0044-0.65A	: 0.06 g (typ.)

## Logic Diagram

1/4 TC4066B



## Absolute Maximum Ratings (Note)

Characteristics	Symbol	Rating	Unit
DC supply voltage	$V_{DD}$	$V_{SS} - 0.5$ to $V_{SS} + 20$	V
Control input voltage	$V_{CIN}$	$V_{SS} - 0.5$ to $V_{DD} + 0.5$	V
Switch I/O voltage	$V_{I/O}$	$V_{SS} - 0.5$ to $V_{DD} + 0.5$	V
Potential difference across I/O during ON	$I_{I/O}$	$\pm 0.5$	V
Control input current	$I_{CIN}$	$\pm 10$	mA
Power dissipation	$P_D$	300 (DIP)/180 (SOIC)	mW
Operating temperature range	$T_{opr}$	-40 to 85	$^{\circ}\text{C}$
Storage temperature range	$T_{stg}$	-65 to 150	$^{\circ}\text{C}$

Note: Exceeding any of the absolute maximum ratings, even briefly, lead to deterioration in IC performance or even destruction.

Using continuously under heavy loads (e.g. the application of high temperature/current/voltage and the significant change in temperature, etc.) may cause this product to decrease in the reliability significantly even if the operating conditions (i.e. operating temperature/current/voltage, etc.) are within the absolute maximum ratings and the operating ranges.

Please design the appropriate reliability upon reviewing the Toshiba Semiconductor Reliability Handbook ("Handling Precautions"/"Derating Concept and Methods") and individual reliability data (i.e. reliability test report and estimated failure rate, etc).

## Operating Ranges ( $V_{SS} = 0$ V) (Note)

Characteristics	Symbol	Test Condition	Min	Typ.	Max	Unit
DC supply voltage	$V_{DD}$	—	3	—	18	V
Input voltage	$V_{DD}/V_{OUT}$	—	0	—	$V_{DD}$	V

Note: The operating ranges must be maintained to ensure the normal operation of the device.

Unused control inputs must be tied to either  $V_{DD}$  or  $V_{SS}$ .

## Static Electrical Characteristics (in case not specifically appointed, $V_{SS} = 0\text{ V}$ )

Characteristics	Symbol	Test Condition	$V_{DD}$ (V)	-40°C		25°C			85°C		Unit
				Min	Max	Min	Typ.	Max	Min	Max	
Control input high voltage	$V_{IH}$	$ I_{IS}  < 10\ \mu\text{A}$	5	3.5	—	3.5	2.75	—	3.5	—	V
			10	7.0	—	7.0	5.50	—	7.0	—	
			15	11.0	—	11.0	8.25	—	11.0	—	
Control input low voltage	$V_{IL}$	$ I_{IS}  < 10\ \mu\text{A}$	5	—	1.5	—	2.25	1.5	—	1.5	V
			10	—	3.0	—	4.50	3.0	—	3.0	
			15	—	4.0	—	6.75	4.0	—	4.0	
On-state resistance	$R_{ON}$	$0 \leq V_{IS} \leq V_{DD}$ $R_L = 10\ \text{k}\Omega$	5	—	800	—	290	950	—	1200	$\Omega$
			10	—	210	—	120	250	—	300	
			15	—	140	—	85	160	—	200	
$\Delta$ On-state resistance (between any 2 switches)	$R_{ON\Delta}$	—	5	—	—	—	10	—	—	—	$\Omega$
			10	—	—	—	6	—	—	—	
			15	—	—	—	4	—	—	—	
Input/output leakage current	$I_{OFF}$	$V_{IN} = 18\ \text{V},$ $V_{OUT} = 0\ \text{V}$ $V_{IN} = 0\ \text{V},$ $V_{OUT} = 18\ \text{V}$	18	—	$\pm 100$	—	$\pm 0.1$	$\pm 100$	—	$\pm 1000$	nA
			18	—	$\pm 100$	—	$\pm 0.1$	$\pm 100$	—	$\pm 1000$	
Quiescent supply current	$I_{DD}$	$V_{IN} = V_{SS}, V_{DD}$ (Note)	5	—	0.25	—	0.001	0.25	—	7.5	$\mu\text{A}$
			10	—	0.50	—	0.001	0.50	—	15.0	
			15	—	1.00	—	0.002	1.00	—	30.0	
Input current	"H" level	$I_{IH}$	$V_{IH} = 18\ \text{V}$	18	—	0.1	—	$10^{-5}$	0.1	—	$\mu\text{A}$
	"L" level	$I_{IL}$	$V_{IL} = 0\ \text{V}$	18	—	-0.1	—	$-10^{-5}$	-0.1	—	

Note: All valid input combinations.

## Dynamic Electrical Characteristics (Ta = 25°C, VSS = 0 V, CL = 50 pF)

Characteristics	Symbol	Test Condition	VDD (V)		Min	Typ.	Max	Unit	
			VSS (V)	VDD (V)					
Phase difference between input to output	$\phi_{I-O}$	$C_L = 50 \text{ pF}$	0	5	—	15	40	ns	
			0	10	—	8	20		
			0	15	—	5	15		
Propagation delay time (control-OUT)	$t_{pZL}$	$R_L = 1 \text{ k}\Omega$	0	5	—	55	120	ns	
		$C_L = 50 \text{ pF}$	0	10	—	25	40		
	$t_{pZH}$	0	15	—	20	30			
Propagation delay time (control -OUT)	$t_{pLZ}$	$R_L = 1 \text{ k}\Omega$	0	5	—	45	80	ns	
		$C_L = 50 \text{ pF}$	0	10	—	30	70		
	$t_{pHZ}$	0	15	—	25	60			
Max control input repetition rate	$f_{\text{max}} \text{ (C)}$	$R_L = 1 \text{ k}\Omega$	0	5	—	10	—	MHz	
		$C_L = 50 \text{ pF}$	0	10	—	12	—		
			0	15	—	12	—		
-3dB cutoff frequency	$f_{\text{max}} \text{ (I-O)}$	$R_L = 1 \text{ k}\Omega$ $C_L = 15 \text{ pF}$	(Note 1)	-5	5	—	30	—	MHz
Total harmonic distortion	—	$R_L = 10 \text{ k}\Omega$ $f = 1 \text{ kHz}$	(Note 2)	-5	5	—	0.03	—	%
-50dB feed through frequency	—	$R_L = 1 \text{ k}\Omega$	(Note 3)	-5	5	—	600	—	kHz
-50dB crosstalk frequency	—	$R_L = 1 \text{ k}\Omega$	(Note 4)	-5	5	—	1	—	MHz
Crosstalk (control-OUT)	—	$R_{IN} = 1 \text{ k}\Omega$	0	5	—	200	—	mV	
		$R_{OUT} = 10 \text{ k}\Omega$	0	10	—	400	—		
		$C_L = 15 \text{ pF}$	0	15	—	600	—		
Input capacitance	$C_{IN}$	Control input	—	—	—	5	7.5	pF	
		Switch I/O	—	—	—	10	—		
Feed through capacitance	$C_{IN-OUT}$	—	—	—	—	0.5	—	pF	

Note 1: Sine wave of  $\pm 2.5 \text{ p-p}$  shall be used for  $V_{IS}$  and the frequency of  $20 \log_{10} \frac{V_{OS}}{V_{IS}} = -3\text{dB}$  shall be  $f_{\text{max}}$ .

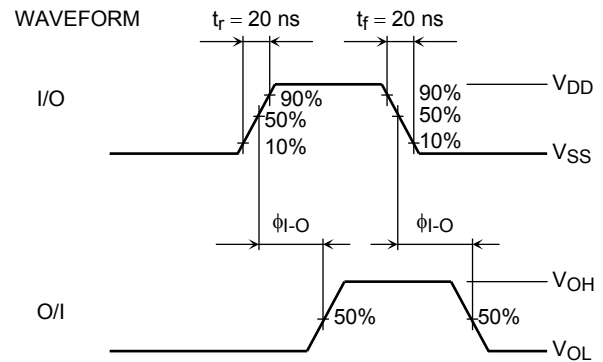
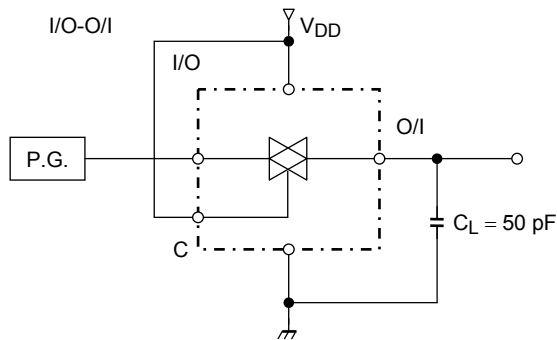
Note 2:  $V_{IS}$  shall be sine wave of  $\pm 2.5 \text{ V}_{p-p}$

Note 3: Sine wave of  $\pm 2.5 \text{ V}_{p-p}$  shall be used for  $V_{IS}$  and the frequency of  $20 \log_{10} \frac{V_{OUT}}{V_{IS}} = -50\text{dB}$  shall be feed-through.

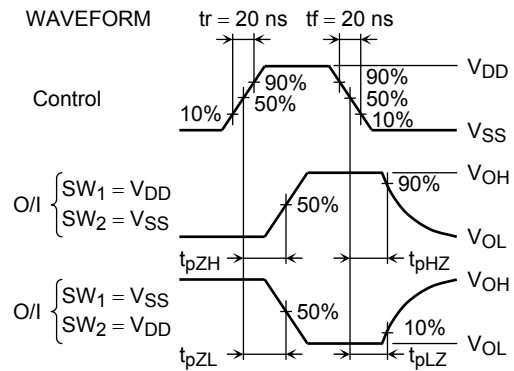
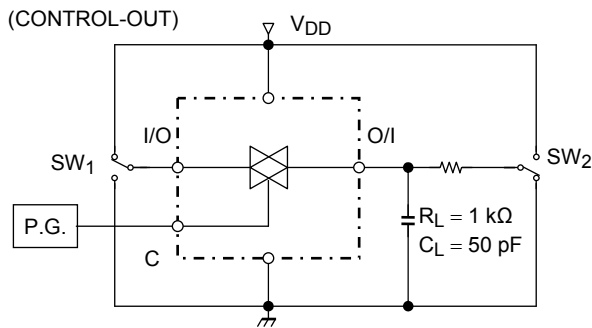
Note 4: Sine wave of  $\pm 2.5 \text{ V}_{p-p}$  shall be used for  $V_{IS}$  and the frequency of  $20 \log_{10} \frac{V_{OUT}}{V_{IS}} = -50\text{dB}$  shall be crosstalk.

## Circuit for Measurement of Electrical Characteristics

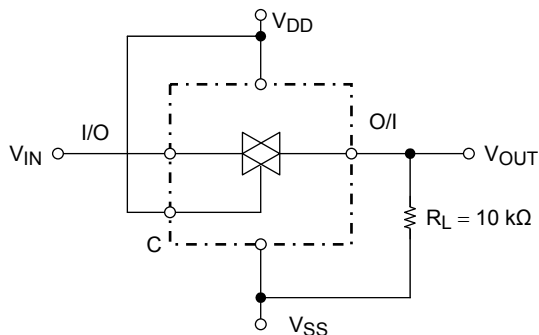
### 1. $\phi_{I-O}$



### 2. $t_{pZH}$ , $t_{pHL}$ , $t_{pLZ}$ , $t_{pHZ}$

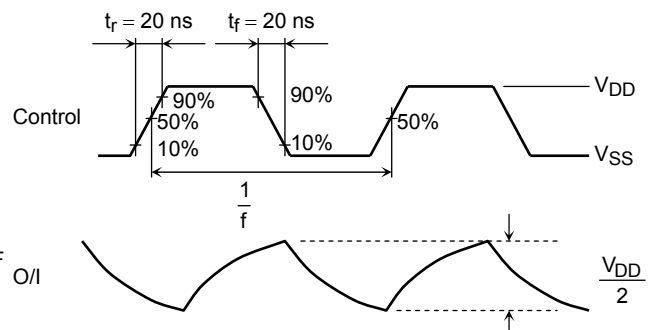
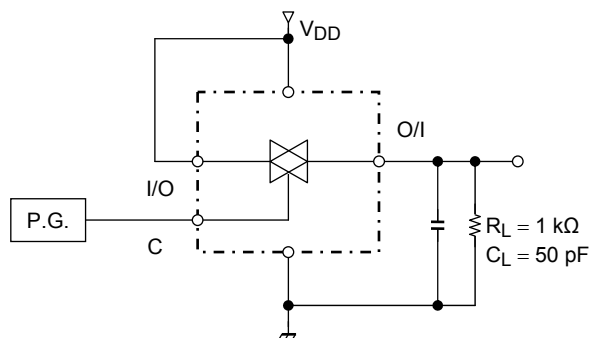


### 3. RON

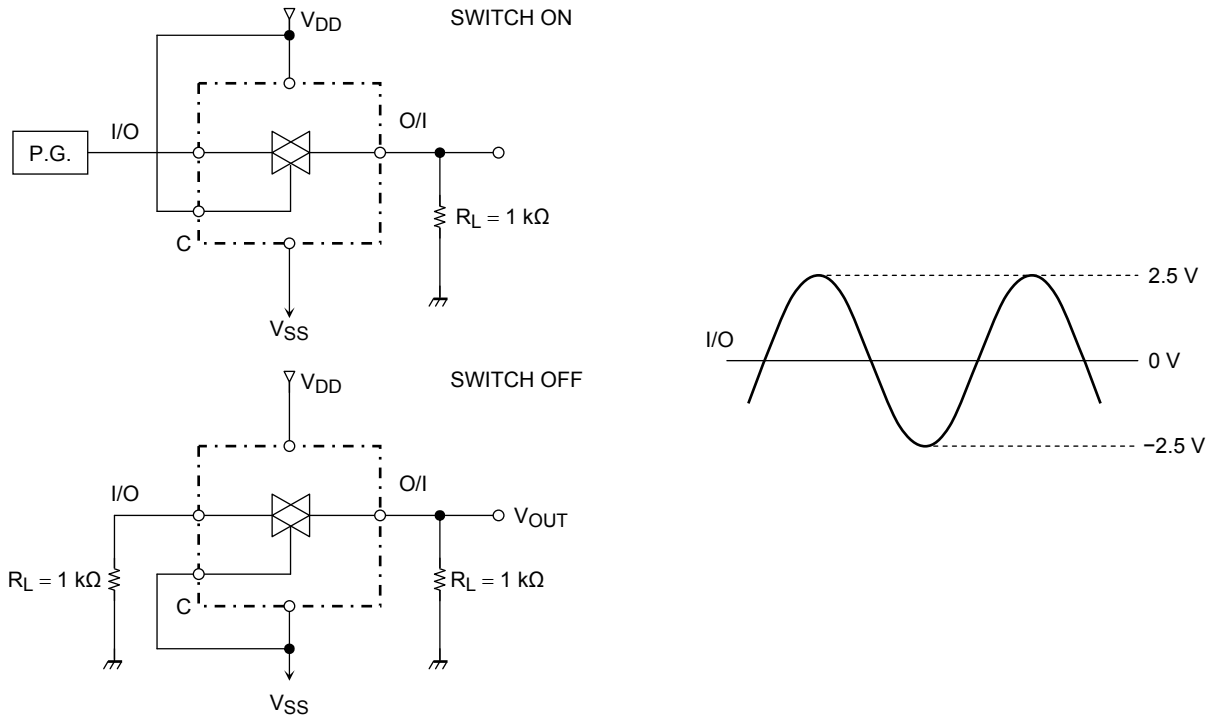


$$R_{ON} = 10 \times \frac{(V_{IN} - V_{OUT})}{V_{OUT}} [k\Omega]$$

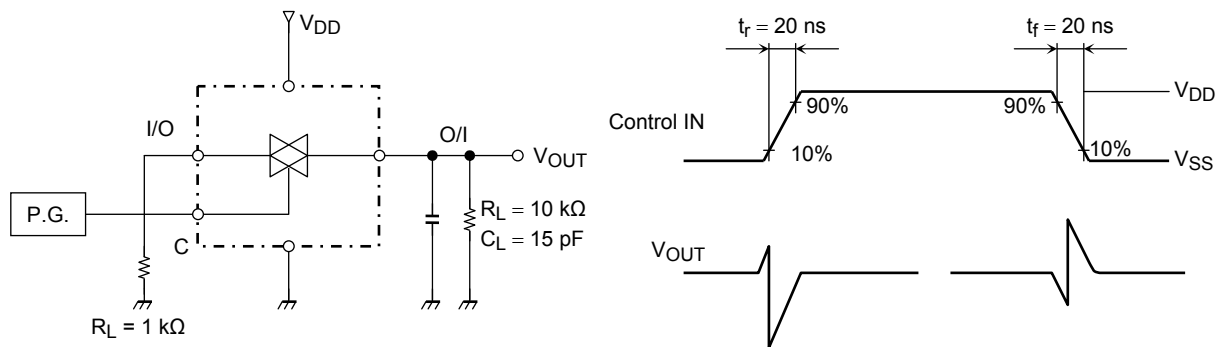
### 4. $f_{max}(C)$



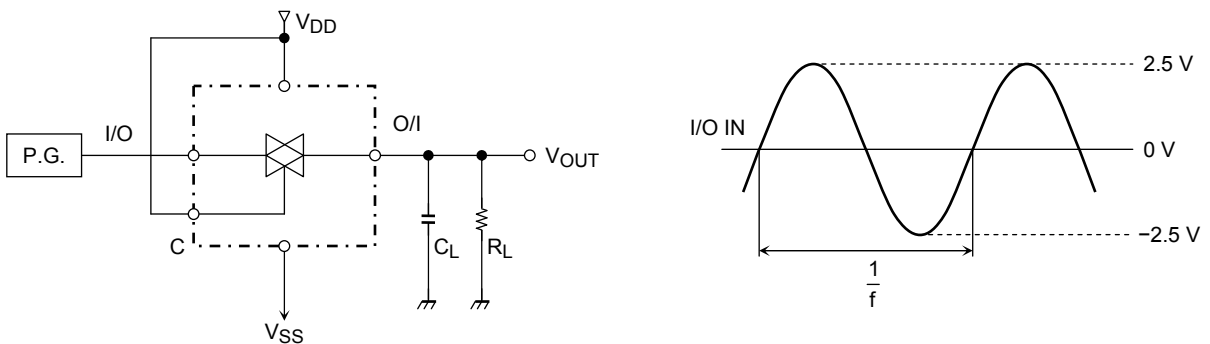
**5. Crosstalk between Any Two Switches**



**6. Crosstalk, Control to Input**



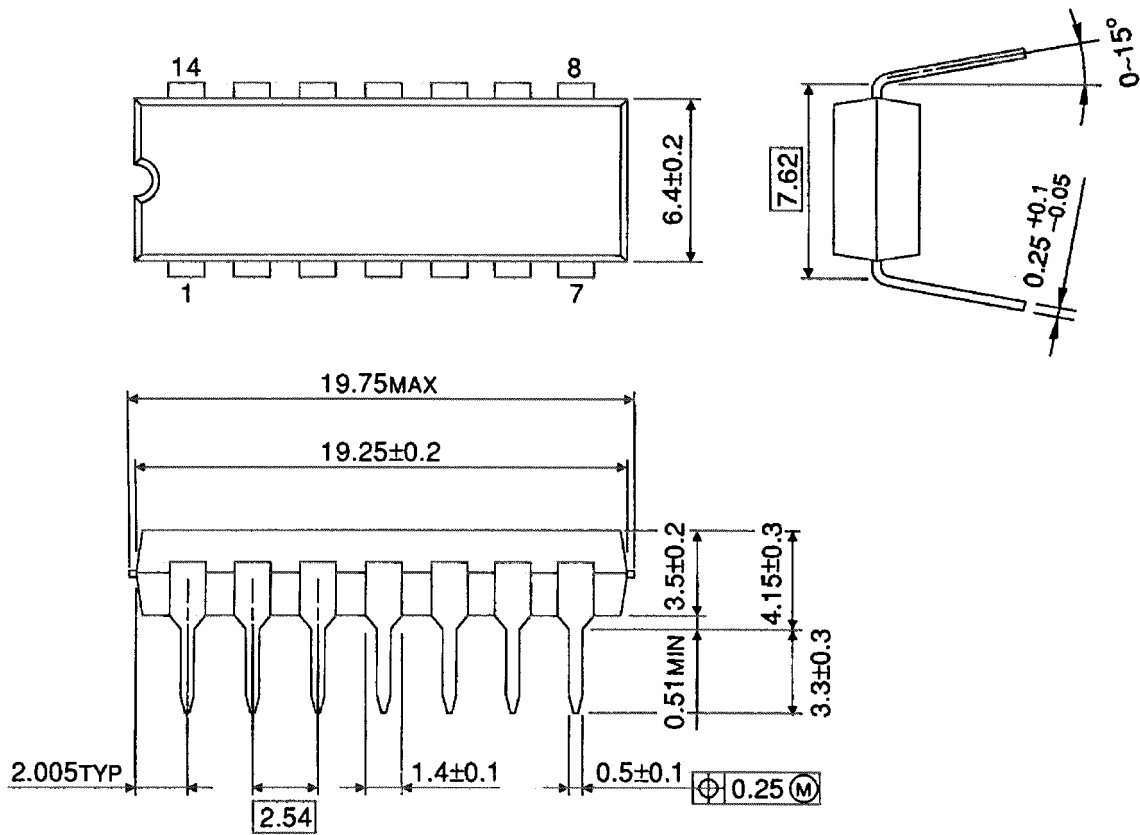
**7. Total Harmonic Distortion, f<sub>max</sub> (I-O), Feedthrough**



## Package Dimensions

DIP14-P-300-2.54

Unit : mm

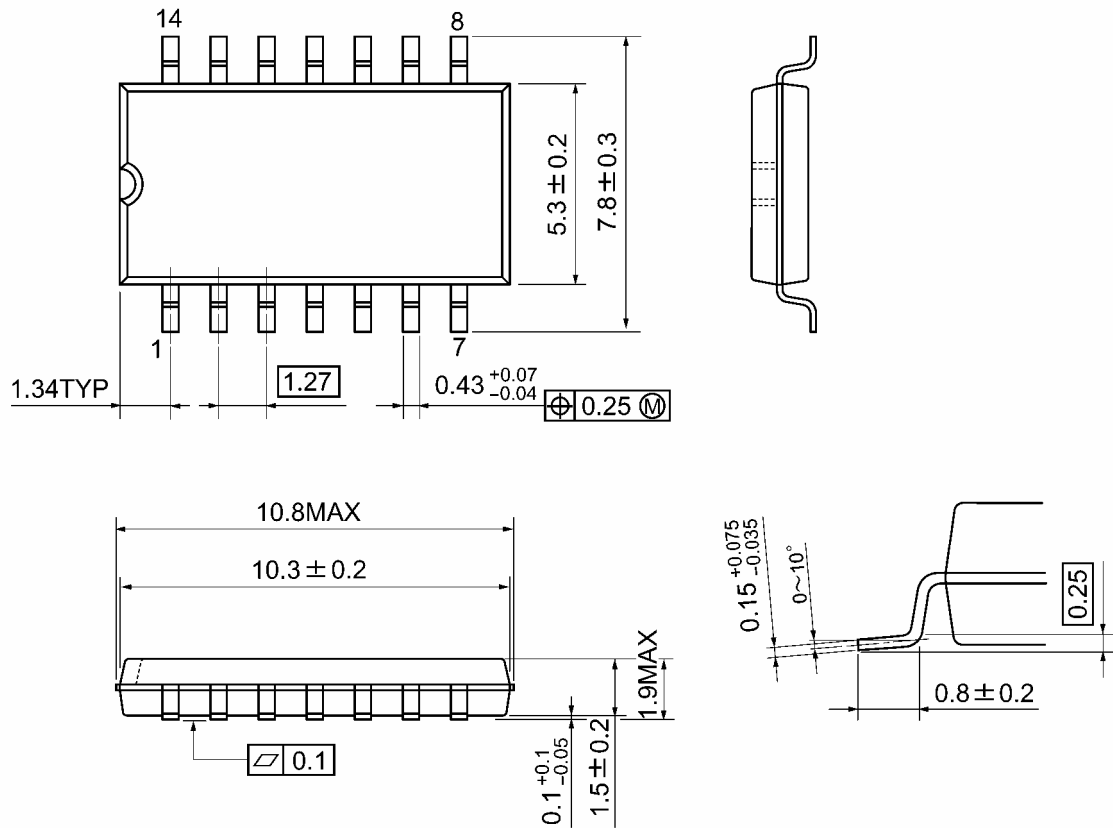


Weight: 0.96 g (typ.)

**Package Dimensions**

SOP14-P-300-1.27A

Unit: mm



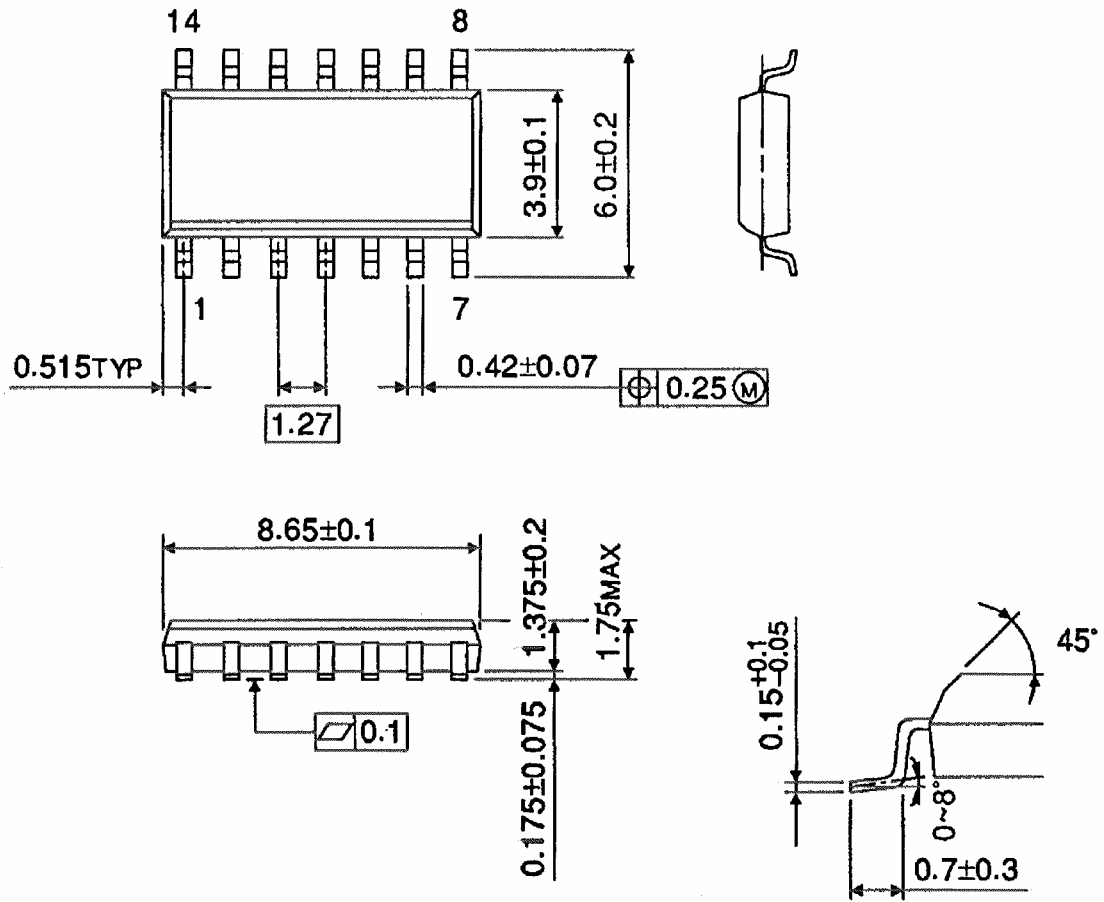
Weight: 0.18 g (typ.)



Package Dimensions (Note)

SOL14-P-150-1.27

Unit : mm



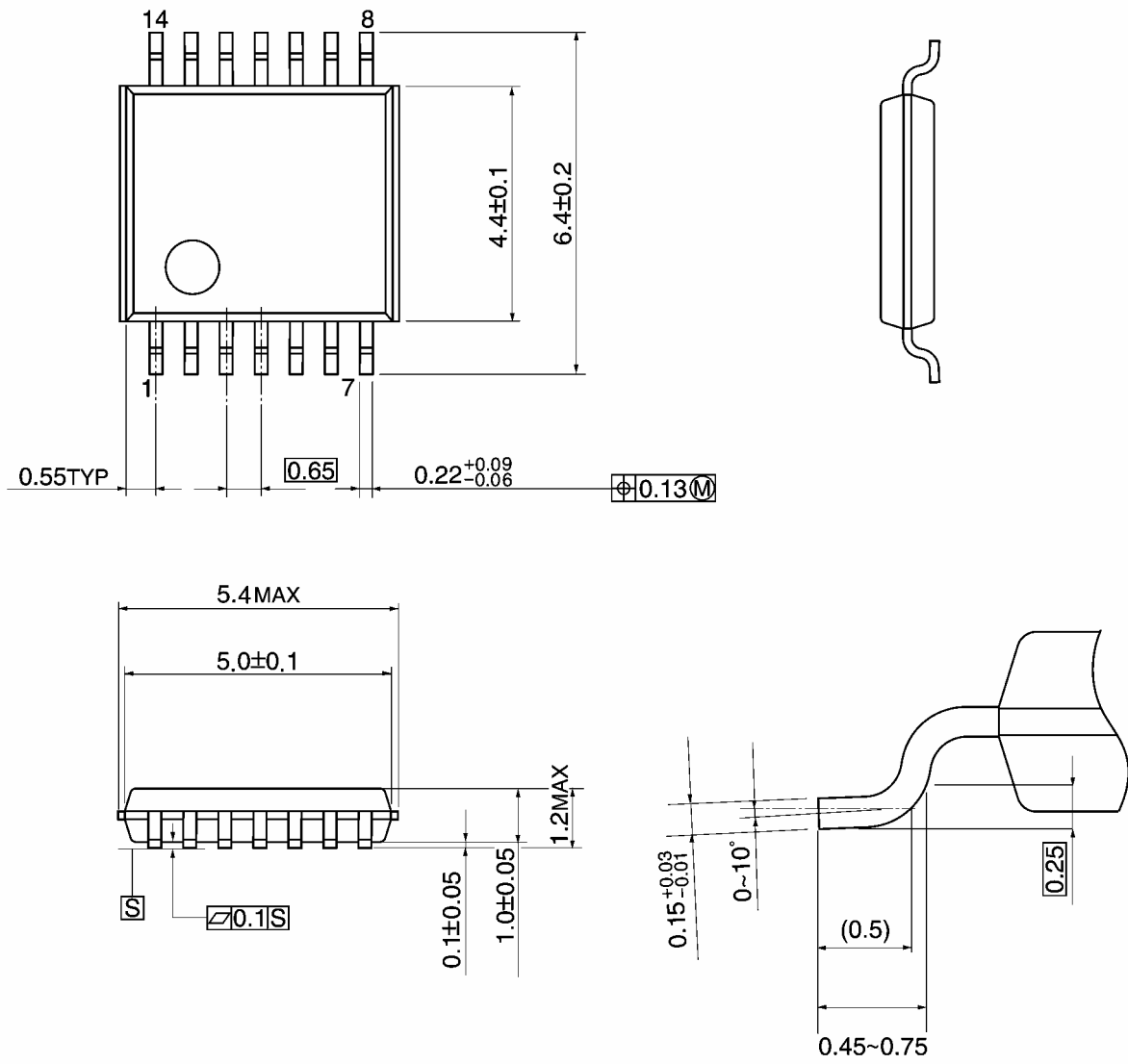
Note: This package is not available in Japan.

Weight: 0.12 g (typ.)

**Package Dimensions**

TSSOP14-P-0044-0.65A

Unit: mm



Weight: 0.06 g (typ.)

**RESTRICTIONS ON PRODUCT USE**

20070701-EN GENERAL

- The information contained herein is subject to change without notice.
- TOSHIBA is continually working to improve the quality and reliability of its products. Nevertheless, semiconductor devices in general can malfunction or fail due to their inherent electrical sensitivity and vulnerability to physical stress. It is the responsibility of the buyer, when utilizing TOSHIBA products, to comply with the standards of safety in making a safe design for the entire system, and to avoid situations in which a malfunction or failure of such TOSHIBA products could cause loss of human life, bodily injury or damage to property.  
In developing your designs, please ensure that TOSHIBA products are used within specified operating ranges as set forth in the most recent TOSHIBA products specifications. Also, please keep in mind the precautions and conditions set forth in the "Handling Guide for Semiconductor Devices," or "TOSHIBA Semiconductor Reliability Handbook" etc.
- The TOSHIBA products listed in this document are intended for usage in general electronics applications (computer, personal equipment, office equipment, measuring equipment, industrial robotics, domestic appliances, etc.). These TOSHIBA products are neither intended nor warranted for usage in equipment that requires extraordinarily high quality and/or reliability or a malfunction or failure of which may cause loss of human life or bodily injury ("Unintended Usage"). Unintended Usage include atomic energy control instruments, airplane or spaceship instruments, transportation instruments, traffic signal instruments, combustion control instruments, medical instruments, all types of safety devices, etc.. Unintended Usage of TOSHIBA products listed in this document shall be made at the customer's own risk.
- The products described in this document shall not be used or embedded to any downstream products of which manufacture, use and/or sale are prohibited under any applicable laws and regulations.
- The information contained herein is presented only as a guide for the applications of our products. No responsibility is assumed by TOSHIBA for any infringements of patents or other rights of the third parties which may result from its use. No license is granted by implication or otherwise under any patents or other rights of TOSHIBA or the third parties.
- Please contact your sales representative for product-by-product details in this document regarding RoHS compatibility. Please use these products in this document in compliance with all applicable laws and regulations that regulate the inclusion or use of controlled substances. Toshiba assumes no liability for damage or losses occurring as a result of noncompliance with applicable laws and regulations.