

Mini-Fit® TPA plugs and receptacles are ideal for high-vibration and high-current applications requiring a redundant terminal retention feature

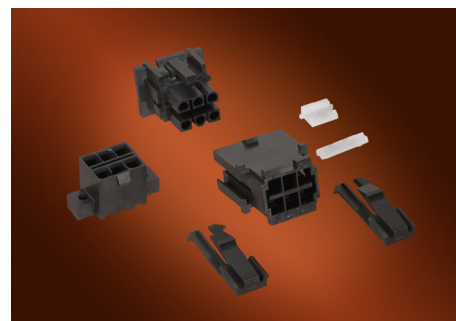
Mini-Fit® TPA plugs and receptacles utilize a visible “TPA pin” that when engaged, will ensure that the terminal is fully seated in the housing and that the terminal will not back out of the housing during mating or when in use. Mini-Fit TPA connectors also feature an optional connector position assurance (CPA) key, ensuring that the male and female connectors cannot be accidentally disengaged. The Mini-Fit TPA product family accepts all standard Mini-Fit crimp terminals further reducing design and qualification efforts. Also, no additional crimp tooling is needed. Mini-Fit TPA products are available in wire-to-wire and wire-to-board configurations with circuit sizes ranging from 2-16 and accommodating 16-28 AWG wire.

FEATURES AND BENEFITS

- TPA lock inserts into plug and receptacle housings to ensure that terminals are fully seated and guarantees that the terminals will not back out
- Optional CPA (Connector Position Assurance) key prevents accidental unmating
- Up to 13.0A per pin for increased current carrying capabilities
- Offered in wire-to-wire and wire-to-board configurations; headers available in mounting pegs or screw-mount flanges
- No new tooling required
- Glow-Wire versions available upon request

**Mini-Fit® TPA
(Terminal Position Assurance)
Plugs and Receptacles**

- 5556, 45750 Female Terminals
- 5558, 46012 Male Terminals
- 30067 Receptacles
- 30068 Plugs
- 30069 Vertical Headers
- 30070 Right Angle Headers
- 30072 TPA Pegs
- 30071 CPA Key



SPECIFICATIONS

Reference Information

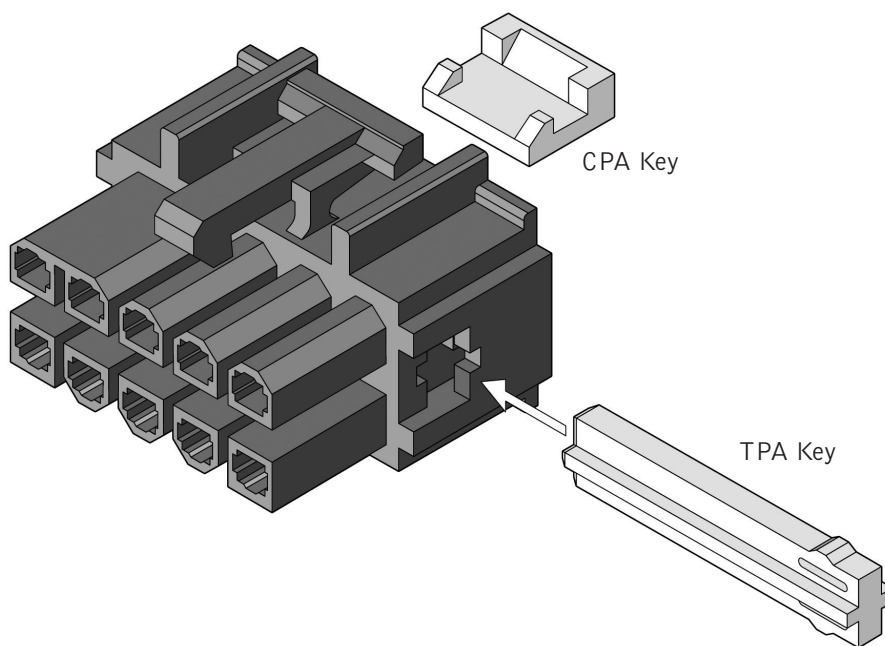
Agency Certification:
CSA LR19980
TUV R72081037
UL E29179

Physical

Color: Black or White
Flammability: 94V-0
Glow-Wire Compliant versions available
Keying to Mating Part: Yes
Lock to Mating Part: Yes
Material: Polyester
Pitch: 4.20mm (.165")
Operating Temperature: -40 to +105°C
Mating Cycles: 30

Electrical

Current - Max. per Contact: 13.0A*
Voltage: 600V



*Current - 13.0A max. per circuit when header is mated to a receptacle loaded with 45750 series terminals crimped to 16 AWG wire. See Molex product specification PS-45750-001 for additional current derating information
Connector Position Assurance, Contrasting White TPA/CPA for high visibility

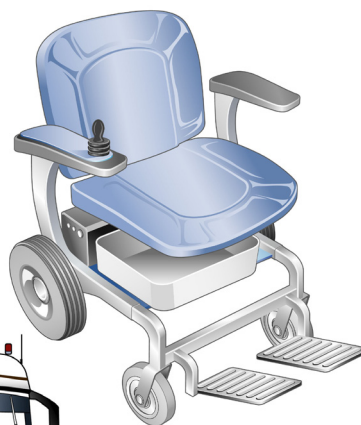
APPLICATIONS

- High-vibration
- Industrial equipment
- White goods
- Automotive/Transportation
- Non-automotive transportation
- Marine and recreational
- Military COTS
(Commercial Off-the-Shelf)
- Vending
- Solar
- Lighting
- Medical



Mini-Fit® TPA (Terminal Position Assurance) Plugs and Receptacles

- 5556, 45750 Female Terminals
- 5558, 46012 Male Terminals
- 30067 Receptacles
- 30068 Plugs
- 30069 Vertical Headers
- 30070 Right Angle Headers
- 30072 TPA Pegs
- 30071 CPA Key



ORDERING INFORMATION

Description	Series No.
Female Terminals	5556, 45750
Male Terminals	5558, 46012
Receptacles	30067
Plugs	30068
Vertical Headers	30069
Right Angle Headers	30070
TPA Pegs	30072
CPA Key	30071