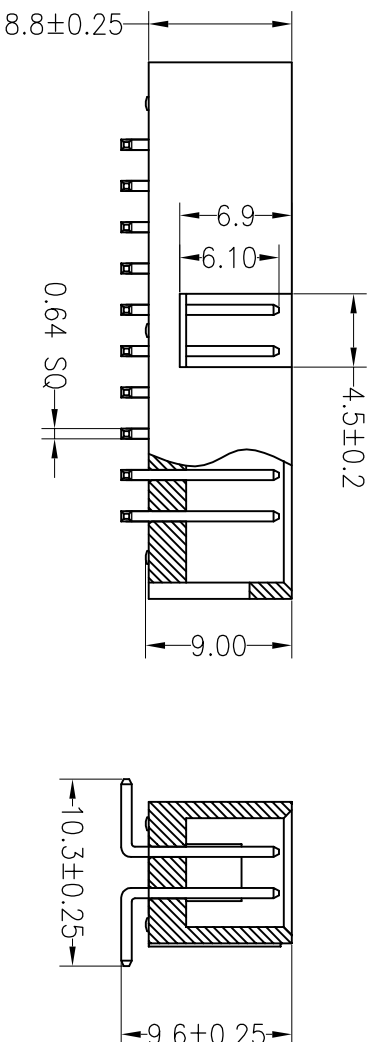
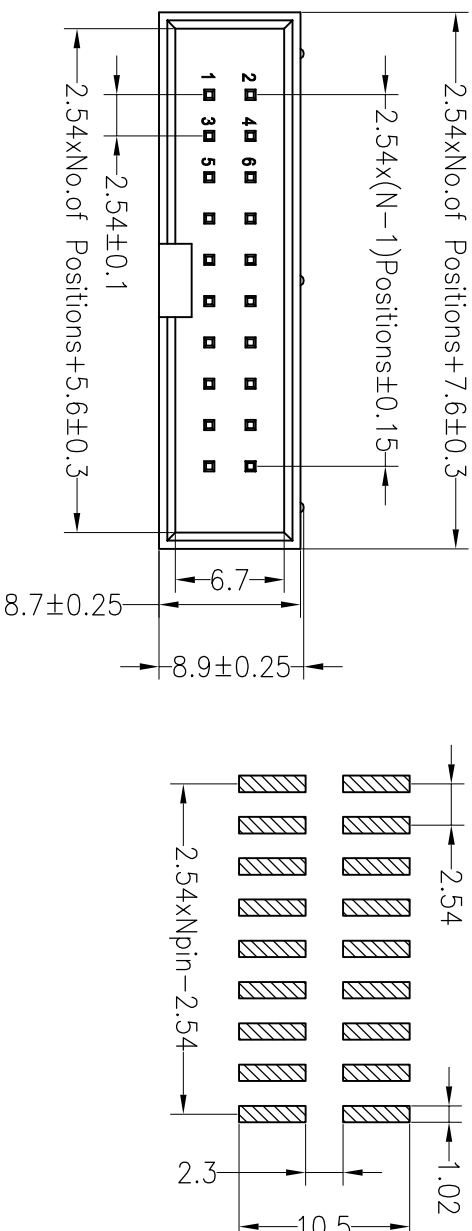


# RoHS

## SPECIFICATIONS

Rated Current:3.0AMP  
 Contact Resistance:20mΩ Max  
 Withstand Voltage:1000V AC/DC  
 Insulation Resistance:1000MΩ Min  
 Operation Temperature:-40°c to +105°c  
 Contact Material:Brass  
 Contact Plating:Au Over Ni  
 Insulator Material:Polyester(UL94V-0)  
 Standard: PA6T  
 Max.Processing Temp: 230°C for 30-60 seconds  
 (260°C for 10 seconds)

Recommended P.C.B Layout(Top Side)  
 (PCB BOARD TOLERANCE±0.05)



OPERATION		DRAW		SCALE		FIT		PART NO.	
X.X	±0.30	X.XX	±0.20	UNIT	mm	1/1	A4	BH-00098 ---A0001	
X.XXX	±0.10	Angle	±3°	CHECK	APPROVE	SHEET	1/1	2.54BOX 16P SMT=10.3 总高9.6	
REV	DATE	MODIFICATION DESCRIPTION	CHANGE	DIM	TOL	PROJ.	TITLE:		
A0	2012.03.28	NEW DRAWING						L=12.0 PA6T	
1								深圳市连盛精密连接器有限公司	