

PLEASE CHECK WWW.MOLEX.COM FOR LATEST PART INFORMATION

Part Number: [0190220015](#)
Status: **Active**
Description: Krimptite™ Quick Disconnect, Male, for 10-12 (5.00-3.30) Wire, Box, Tab 6.35mm (.250") x 0.81mm (.032")

Documents:

[Drawing \(PDF\)](#)

[RoHS Certificate of Compliance \(PDF\)](#)

General

Product Family	Quick Disconnects
Series	19022
Comments	Economical
Crimp Quality Equipment	Yes
MolexKits	Yes
Product Name	Krimptite™
Type	Quick Disconnect

Physical

Barrel Type	Closed
Gender	Male
Glow-Wire Compliant	No
Insulation	None
Lock to Mating Part	None
Material - Metal	Copper
Orientation	Straight
Packaging Type	Bag
Polarized to Mating Part	No
Tab Thickness	0.81mm (.032")
Tab Width	6.35mm (.250")
Temperature Range - Operating	Per Wire Specification
Wire Size AWG	10, 12
Wire Size mm²	3.30 - 5.00

Electrical

Voltage - Maximum	Per Wire Specification
-------------------	------------------------

Material Info

Old Part Number	CMCT-1
-----------------	--------

Reference - Drawing Numbers

Sales Drawing	SD-19022-012
---------------	--------------

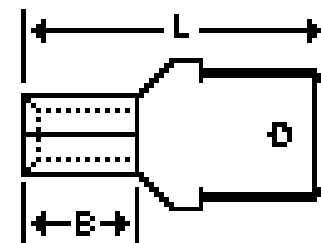


image - Reference only

—Series

EU RoHS

**ELV and RoHS
Compliant**

REACH SVHC

Not Reviewed

Halogen-Free

Status

Not Reviewed

China RoHS



**Need more information on product
environmental compliance?**

Email productcompliance@molex.com
 For a multiple part number RoHS Certificate of Compliance, [click here](#)

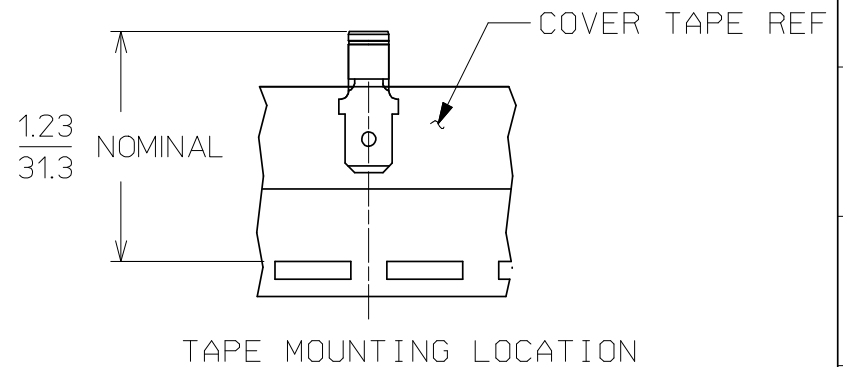
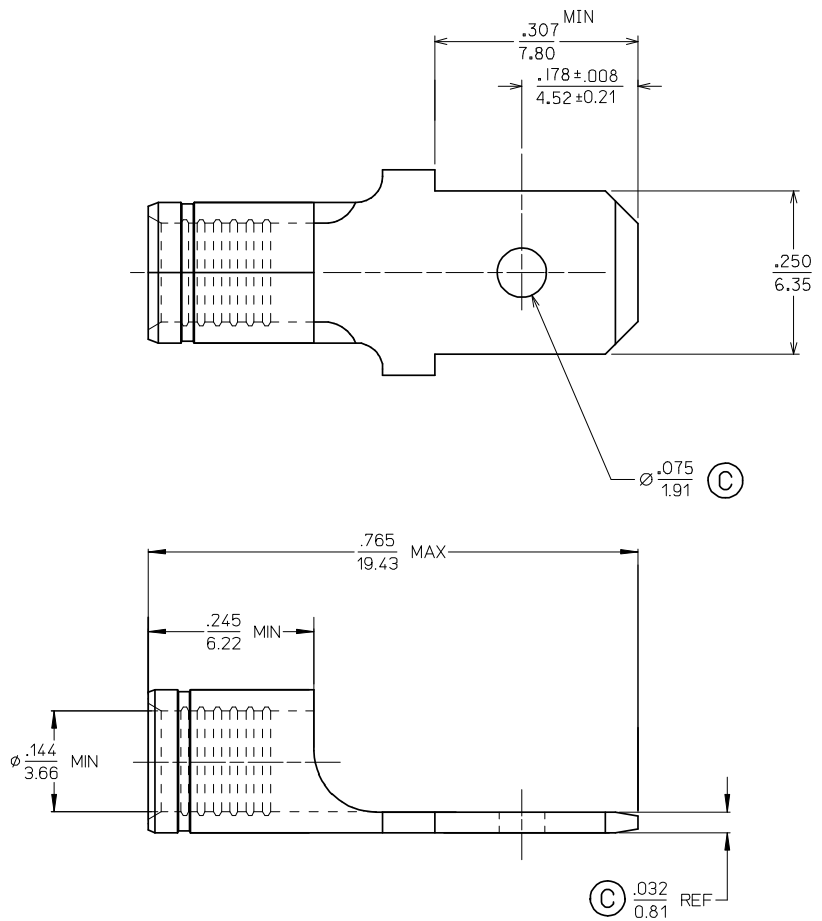
Please visit the [Contact Us](#) section for any non-product compliance questions.

Search Parts in this Series

[19022Series](#)

13	12	11	10	9	8	7	6	5	4	3	2	1
MATERIAL NUMBER		ENGINEERING NUMBER	DESCRIPTION									
190220015		CMCT-1	ZINC CHROMATE PLATED									
190220017		CMCT-1T	ZINC CHROMATE PLATED, TAPE MOUNTED									

Ⓢ
Ⓢ



SALES DRAWING

- Ⓢ NOTES:
1. MATERIAL: BRASS
 2. FINISH: SEE CHART
 3. WIRE SIZE: 12-10 AWG (3.09 - 5.01 mm²)
 4. TAB DIMENSIONS CONFORM TO UL310 SPECIFICATIONS.
 5. PART IS ROHS COMPLIANT.

CHANGED MATL & FINISH EC NO: ETC2007-0081 DRAWN:EHILE 2008/01/28 CHKD:JMACNEIL 2008/01/28 APPR:JMACNEIL 2008/02/13	QUALITY SYMBOLS	GENERAL TOLERANCES (UNLESS SPECIFIED)	DIMENSION STYLE	SCALE	DESIGN UNITS	THIRD ANGLE PROJECTION																											
	▼=0 ▽=0	<table border="1"> <tr> <th></th> <th>mm</th> <th>INCH</th> </tr> <tr> <td>4 PLACES</td> <td>± .---</td> <td>± .---</td> </tr> <tr> <td>3 PLACES</td> <td>± .---</td> <td>± .005</td> </tr> <tr> <td>2 PLACES</td> <td>± 0.13</td> <td>± .01</td> </tr> <tr> <td>1 PLACE</td> <td>± 0.25</td> <td>± .---</td> </tr> </table>		mm	INCH	4 PLACES	± .---	± .---	3 PLACES	± .---	± .005	2 PLACES	± 0.13	± .01	1 PLACE	± 0.25	± .---	<table border="1"> <tr> <th colspan="2">IN/MM</th> </tr> <tr> <td>DRAWN BY</td> <td>DATE</td> </tr> <tr> <td>MTS</td> <td>1985/02/20</td> </tr> <tr> <td>CHECKED BY</td> <td>DATE</td> </tr> <tr> <td>GZ</td> <td>1985/02/20</td> </tr> <tr> <td>APPROVED BY</td> <td>DATE</td> </tr> </table>	IN/MM		DRAWN BY	DATE	MTS	1985/02/20	CHECKED BY	DATE	GZ	1985/02/20	APPROVED BY	DATE	4:1	INCH	
		mm	INCH																														
	4 PLACES	± .---	± .---																														
3 PLACES	± .---	± .005																															
2 PLACES	± 0.13	± .01																															
1 PLACE	± 0.25	± .---																															
IN/MM																																	
DRAWN BY	DATE																																
MTS	1985/02/20																																
CHECKED BY	DATE																																
GZ	1985/02/20																																
APPROVED BY	DATE																																
MATERIAL NO. SEE CHART	TITLE MALE CONNECTOR TERMINAL .250 X .032 TAB KRIMPTITE, 12-10 AWG	MOLEX INCORPORATED	DOCUMENT NO. SD-19022-012	SHEET NO. 1 OF 1																													

DRAFT WHERE APPLICABLE MUST REMAIN WITHIN DIMENSIONS

THIS DRAWING CONTAINS INFORMATION THAT IS PROPRIETARY TO MOLEX INCORPORATED AND SHOULD NOT BE USED WITHOUT WRITTEN PERMISSION