

PLEASE CHECK WWW.MOLEX.COM FOR LATEST PART INFORMATION

Part Number: [0513480213](#)
Status: **Active**
Description: 3.30mm (.130") Pitch Wire-to-Wire Retainer, 2 Circuits

Documents:

[Drawing \(PDF\)](#) [Product Specification PS-51347-001 \(PDF\)](#)
[Product Specification PS-501328-001 \(PDF\)](#) [RoHS Certificate of Compliance \(PDF\)](#)

General

Product Family	Accessories
Series	51348
Component Type	Retainer
Product Name	N/A

Physical

Circuits (Loaded)	2
Color - Resin	Yellow
Material - Resin	Nylon
Number of Rows	1
Packaging Type	Bag
Temperature Range - Operating	-25°C to +85°C

Electrical

Current - Maximum per Contact	4A
-------------------------------	----

Material Info

Reference - Drawing Numbers

Product Specification	PS-501328-001, PS-51347-001, RPS-501328-002, RPS-501328-003, RPS-51347-005, RPS-51347-006
Sales Drawing	SD-51348-002

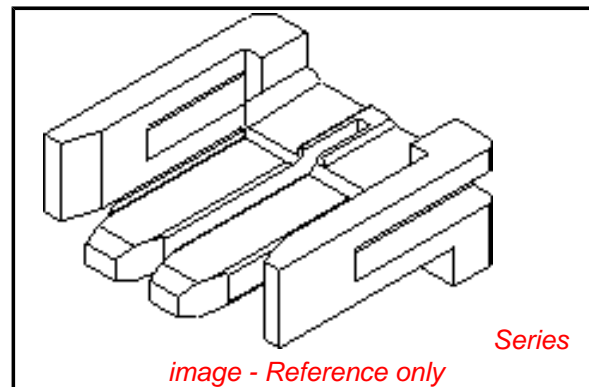


image - Reference only

EU RoHS

**ELV and RoHS
Compliant**
REACH SVHC
 Not Reviewed
**Halogen-Free
Status**

China RoHS



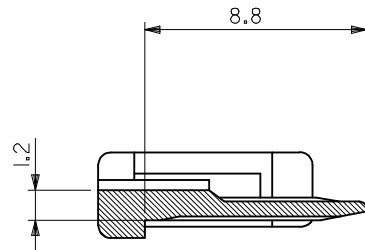
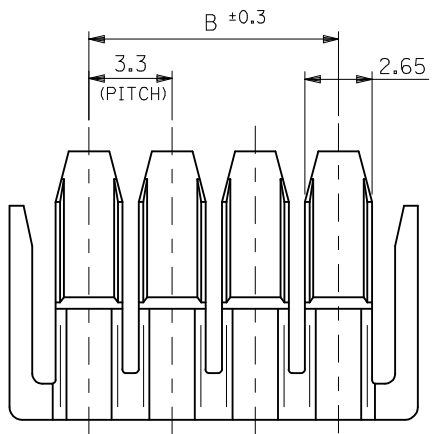
**Need more information on product
environmental compliance?**

Email productcompliance@molex.com
 For a multiple part number RoHS Certificate of
 Compliance, [click here](#)

Please visit the [Contact Us](#) section for any
 non-product compliance questions.

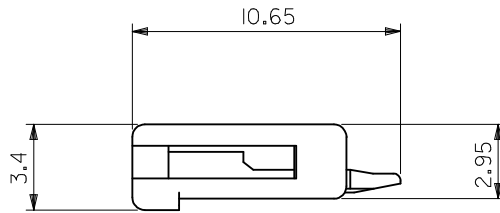
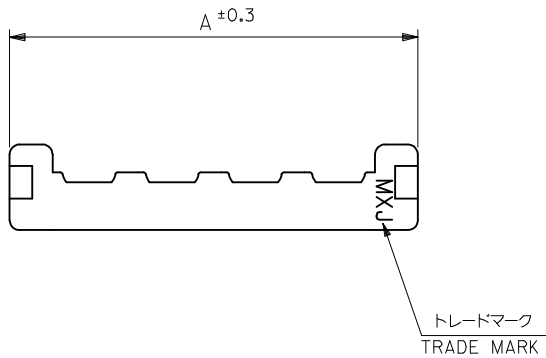
Search Parts in this Series
[51348Series](#)

Use With
[51347](#) , [51346](#) , [501328](#) , [501329](#)



注記
NOTES

- △ 適合ハウジング : 51346/51347シリーズ
APPLICABLE HOUSING : 51346/51347 SERIES
- 2. 材質 : ポリアミド(PA)、ガラス充填、UL94V-0
MATERIAL : POLYIMIDE(PA)、GLASS FILLED、UL94V-0
- 3. ELV 及び RoHS 適合品
ELV AND RoHS COMPLIANT



NATURAL(IVORY)	23.1	29.4	51348-0813	8
YELLOW	16.5	22.8	-0613	6
	13.2	19.5	-0513	5
	9.9	16.2	-0413	4
	6.6	12.9	-0313	3
YELLOW	3.3	9.6	51348-0213	2
COLOR	B	A	PLASTIC BAG オーダー番号 ORDER No.	極数 CIRCUITS

CONNECTOR SERISE No. 51348-**-13

REVISED EC NO: J2010-0281 DRWN: NYOSHIKAWA 2009/08/20 CHK'D: ASAKAWA 2009/08/20 APPR: NUKITA 2009/08/20	GENERAL TOLERANCES (UNLESS SPECIFIED)		DIMENSION STYLE MM ONLY		SCALE ---		DESIGN UNITS METRIC		THIRD ANGLE PROJECTION	
	10 UNDER ± 0.2		DRAWN BY T. ODA DATE 2004/01/19		TITLE 3.3 W/W CONN. RETAINER		MOLEX INCORPORATED		SHEET NO. 1 OF 1	
	10 OVER 30 UNDER ± 0.25		CHECKED BY S. ICHIKAWA DATE		MATERIAL NO. SEE CHART					
	30 OVER ± 0.3		APPROVED BY Y. ITO DATE		DOCUMENT NO. SD-51348-002					
ANGULAR ± 3 °		DRAFT WHERE APPLICABLE MUST REMAIN WITHIN DIMENSIONS		SIZE A3		THIS DRAWING CONTAINS INFORMATION THAT IS PROPRIETARY TO MOLEX INCORPORATED AND SHOULD NOT BE USED WITHOUT WRITTEN PERMISSION				