

# LED EVACUATION SIGNS SERIES

**LinkCom**<sup>®</sup>  
LinkCom Manufacturing Co., Ltd.



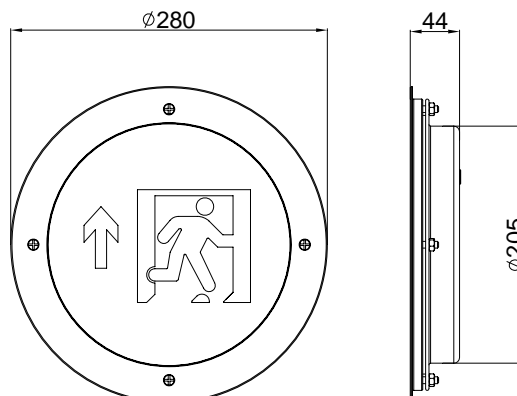
## FEATURES

- ◆ Input: 187~240Vac
- ◆ High Operating ambient Temp: -10°C~+45°C
- ◆ MTBF: 18000 hrs/25°C
- ◆ Safety: GB17945-2000
- ◆ Dimension (mm):  $\Phi$ \*H: 280\*44

## Electrical Specifications @25°C

Part No.		FSM000100004-O2
Input	Voltage range	187~240Vac
	Frequency range	50Hz
Power		3.5W MAX
Charge time		≤24H
Emergency time		≥90min
Standby electricity		Ni-Cd batteries
LAMP		LED
Safety		GB17945-2000
Material		Spray-painting base and stainless steel surface
Using surrounding		-10°C-45°C
Mounting		Underground lamps

## DIMENSIONS [mm]



[www.linkcom.com.tw](http://www.linkcom.com.tw) For more information, please contact with :sales@linkcom.com.tw