

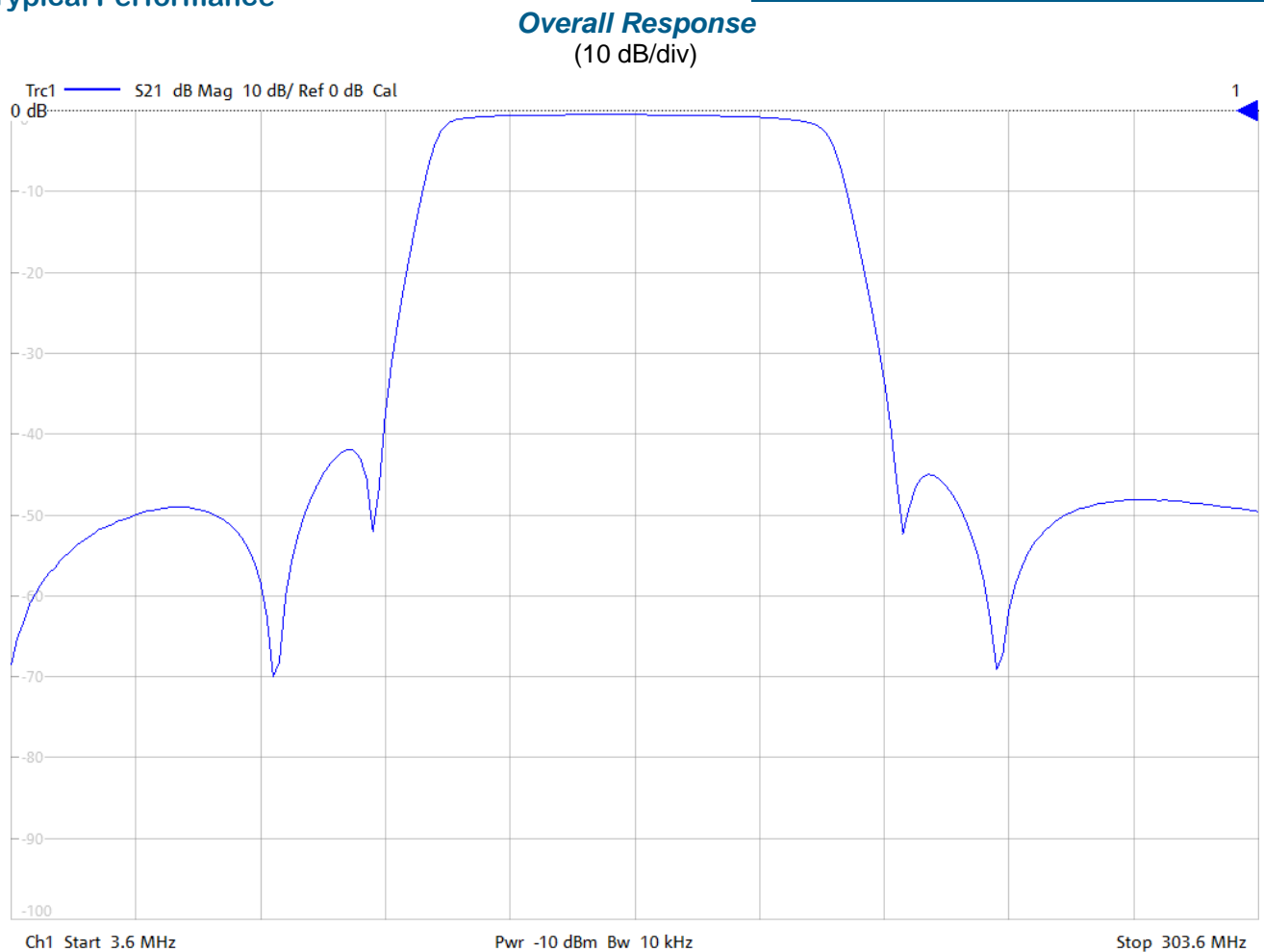
General Description

KR Electronics part number 3330+ is a 153.6 MHz Bandpass filter. The filter has a minimum 1 dB bandwidth of 80 MHz. Other center frequencies and bandwidths are available. Please consult the factory.

Features

- 153.6 MHz Bandpass Filter
- 1 dB Bandwidth 80 MHz min
- 35 dB Bandwidth 125 MHz max
- 50 Ω Source and Load
- Surface Mount
- Available with SMA Connectors
- Other frequencies available

Typical Performance

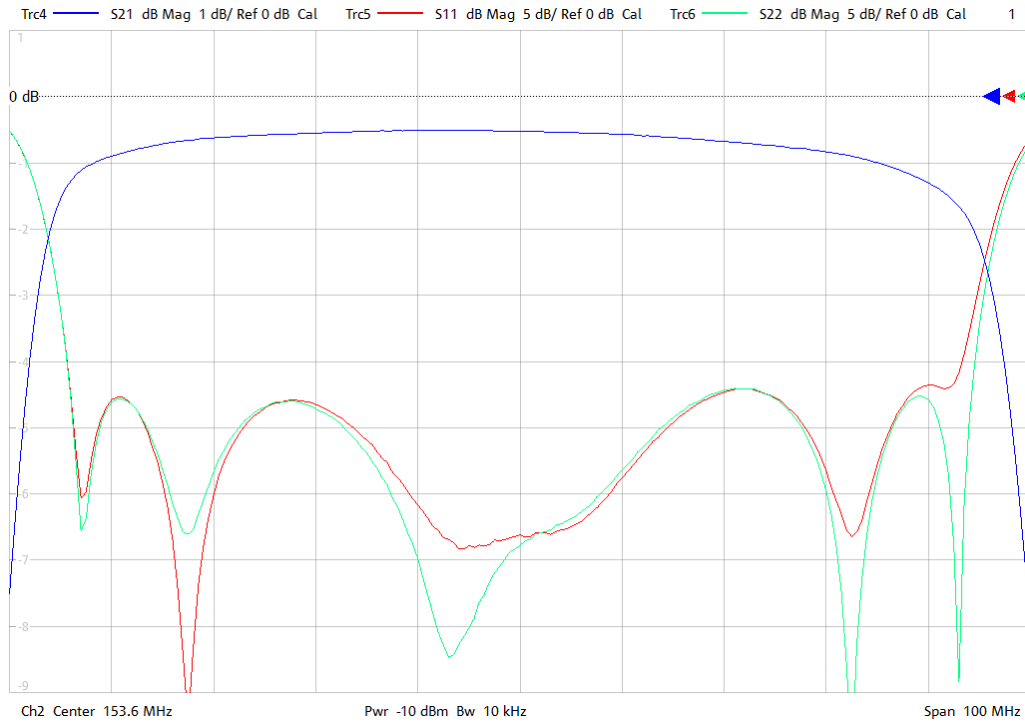


KR Electronics, Inc.
91 Avenel Street
Avenel, NJ 07001

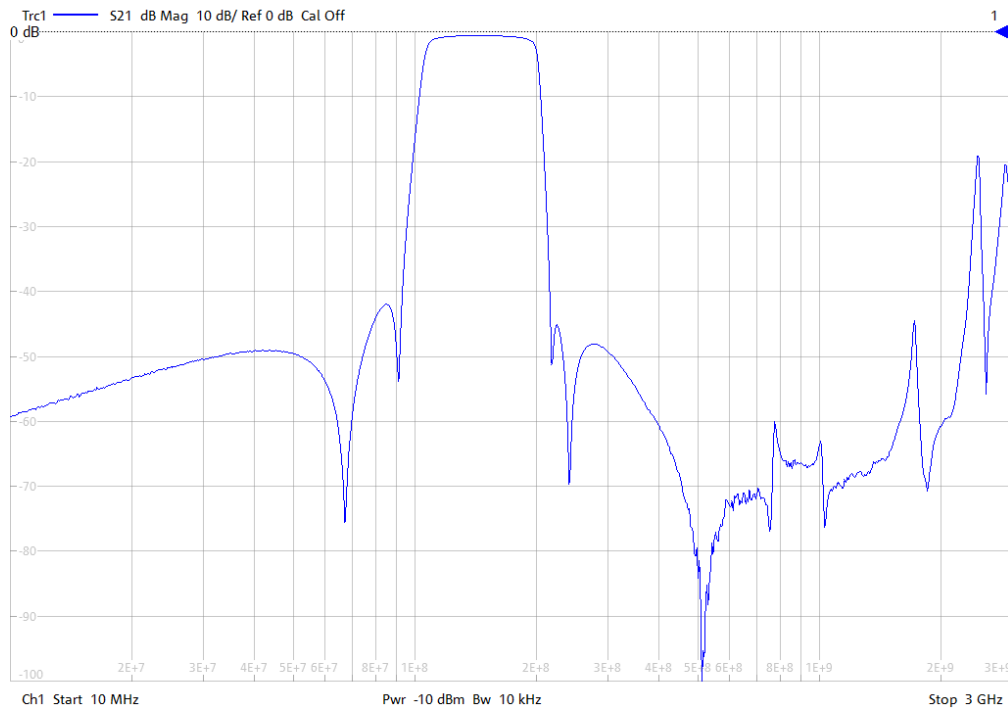
Web www.krfilters.com
Email sales@krfilters.com
Phone (732) 636-1900
Fax (732) 636-1982

KR Electronics 3330+

Passband Amplitude & Return Loss (1 dB/div & 5 dB/div)



Overall Response (10 dB/div)



KR Electronics, Inc.
91 Avenel Street
Avenel, NJ 07001

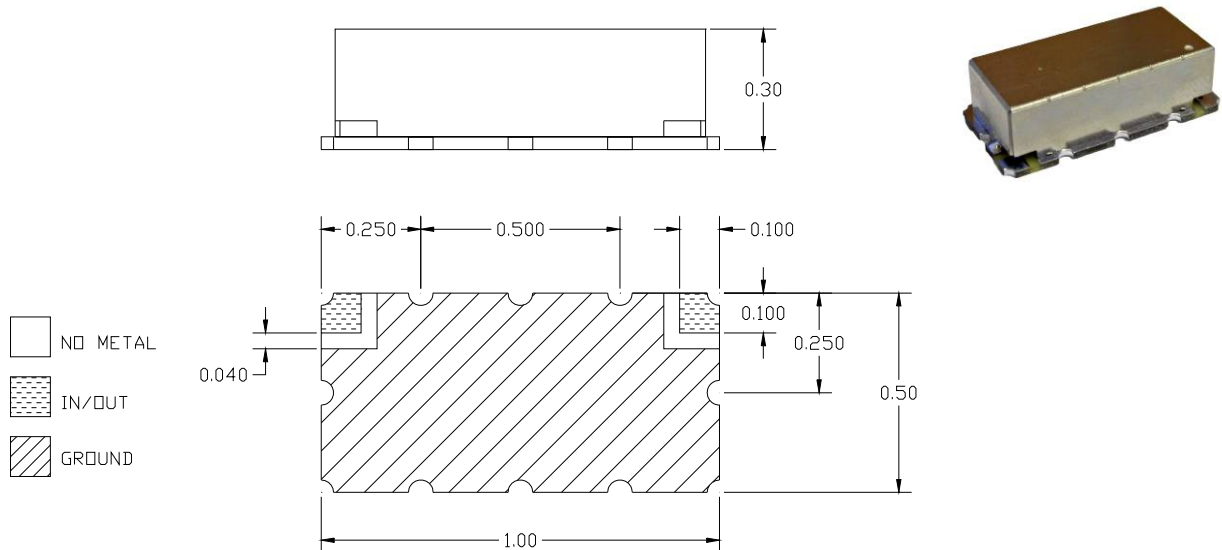
Web www.krfilters.com
Email sales@krfilters.com
Phone (732) 636-1900
Fax (732) 636-1982

KR Electronics 3330+

Specifications

| Parameter | Specification | Notes |
|----------------------|-----------------|-----------------|
| Filter type | Bandpass | |
| Center Frequency | 153.6 MHz | |
| Insertion Loss at Fc | 1 dBa max | 0.5 dBa typical |
| 1 dBc Bandwidth | 80 MHz min | 87 MHz typical |
| 3 dBc Bandwidth | 94 MHz typical | |
| 35 dBc Bandwidth | 124.8 MHz max | 120 MHz typical |
| 40 dBc Bandwidth | 122 MHz typical | |
| Source and Load | 50 Ω | |

Physical Dimensions



Notes:

1. Surface mount package
2. Dimensions in inches
3. Max reflow temperature 230° C for 10 sec
4. If boards are cleaned after installation units must be completely dried

KR Electronics, Inc.
91 Avenel Street
Avenel, NJ 07001

Web www.krfilters.com
Email sales@krfilters.com
Phone (732) 636-1900
Fax (732) 636-1982