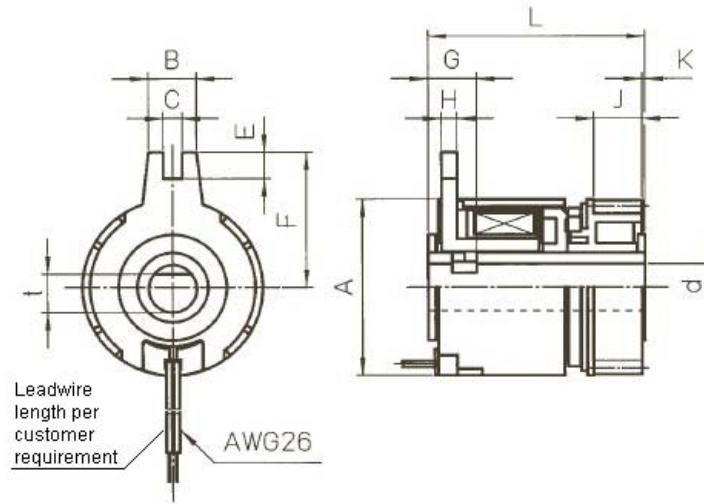


MIC-E

Micro EM Clutch

Types: 2.5, 5, 8

[EM: Electromagnet]



[Special Order]

MIC		2.5E		5E		8E	
Static Torque [in-lbs / N-m]		2.2 / 0.25		4.4 / 0.5		7.1 / 0.8	
Coil (20°C)	Voltage [DC-V]	24					
	Resistance [Ω]	172		150		150	
	Wattage [W]	3.4		3.8		3.8	
Armature	Pull-In Time ² [ms]	6		8		10	
	Release Time ² [ms]	20		25		30	
Bore [mm]	d	6	8	6	8	6	8
	t	5	6.5	5	6.5	5	6.5
Dimensions [mm]	A	26		30		34.2	
	B	8		8		8	
	C	3.2		3.2		3.2	
	E	4		4.5		4.5	
	F	18		23		23	
	G	8		8		8	
	H	2		2.6		2.6	
	J	5		8		8	
K	0.5		0.5		0.5		
L	29		36		36		
Weight [lbs / kg]		0.12 / 0.05		0.21 / 0.10		0.26 / 0.12	

[Note 1 : Gear shown for reference only - to be supplied with custom gear or hub]

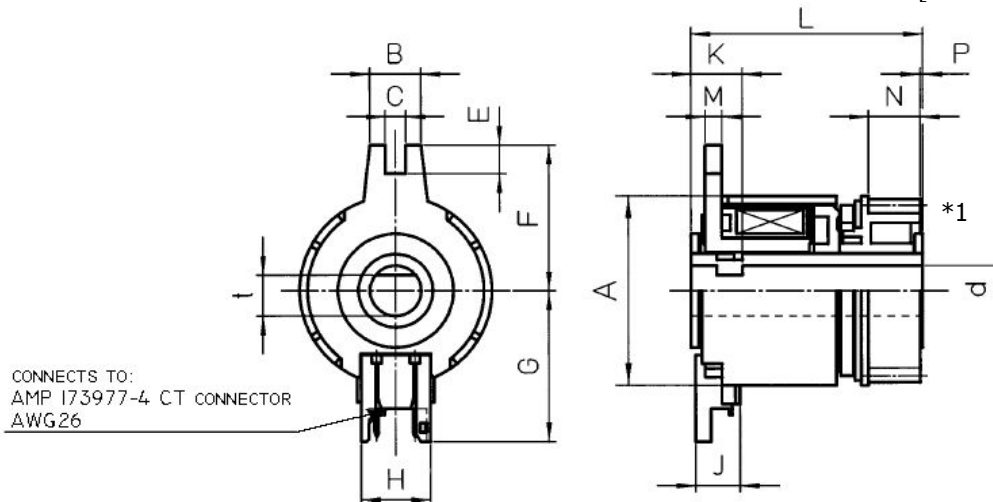
[1" = 25.4mm]

MIC-NE

Micro EM Clutch

Types: 2.5, 5, 8

[EM: Electromagnet]



[Special Order]

MIC		2.5NE		5NE		8NE	
Static Torque [in-lbs / N-m]		2.2 / 0.25		4.4 / 0.5		7.1 / 0.8	
Coil (20°C)	Voltage [DC-V]	24					
	Resistance [Ω]	172		155		155	
	Wattage [W]	3.4		3.7		3.7	
Armature	Pull-In Time ² [ms]	6		8		10	
	Release Time ² [ms]	20		25		30	
Bore [mm]	d	6	8	6	8	6	8
	t	5	6.5	5	6.5	5	6.5
Dimensions [mm]	A	26		30		34.2	
	B	8		8		8	
	C	3.2		3.2		3.2	
	E	4		4.5		4.5	
	F	18		23		23	
	G	23		24		24	
	H	11		11		11	
	J	7.1		7.1		7.1	
	K	8		8		8	
	L	29		36		36	
	M	2		2.6		2.6	
N	5		8		8		
P	0.5		0.5		0.5		
Weight [lbs / kg]		0.12 / 0.05		0.21 / 0.10		0.26 / 0.12	

[Note 1 : Gear shown for reference only - to be supplied with custom gear or hub]

[1" = 25.4mm]