



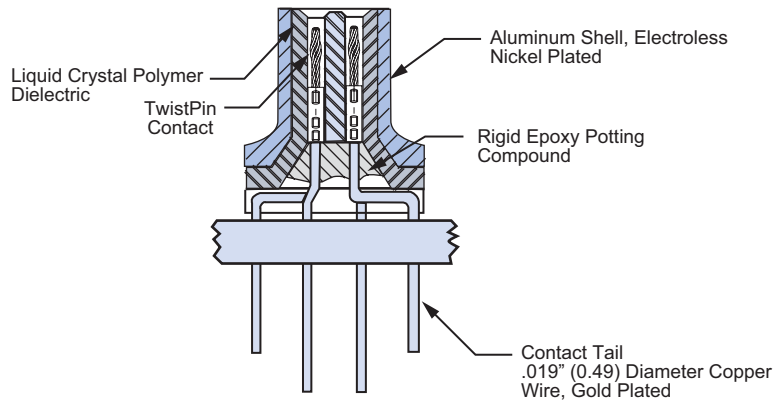
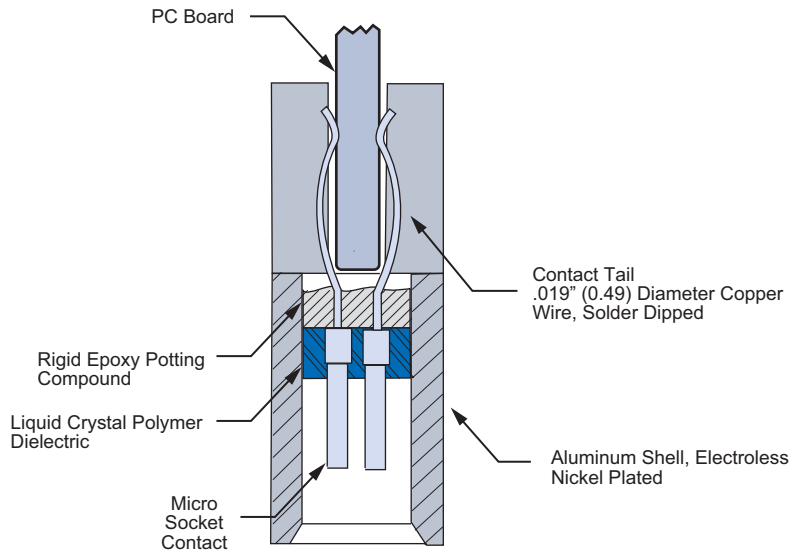
**Industry-Standard, Approved for Airborne Computers**  
 MWEB EdgeBoard connectors meet the requirements of MIL-DTL-55302/120 thru /123. Available with 128 or 184 contacts.

**Rugged Aluminum Shell and TwistPin Contacts**  
 MWEB connectors share the same design and construction as the Glenair Micro-D M83513 connector.

**Backplane, Daughtercard and Wired**  
 Vertical mount thru-hole motherboard connectors and straddle mount daughtercard connectors are complemented by right angle thru-hole and pre-wired I/O versions.

## Rugged Mil Spec Performance in a High-Density Backplane Connector System: The MWEB EdgeBoard

Featuring a width of only ¼ inch (6.4 mm.), MWEB Series connectors provide high-density in a rugged metal shell connector. Contacts are rated at 3 amps, and the DWV voltage rating is 300 volts AC RMS at 70,000 feet altitude. The two row, .050 inch (1.54 mm.) spacing is made possible by using TwistPin reverse gender contacts. Insert-molded LCP insulators are resistant to heat and chemicals. Contacts are beryllium copper with fifty microinches of gold plating. Shells are machined aluminum alloy. Hexagonal polarizing keys allow up to 36 keying options.



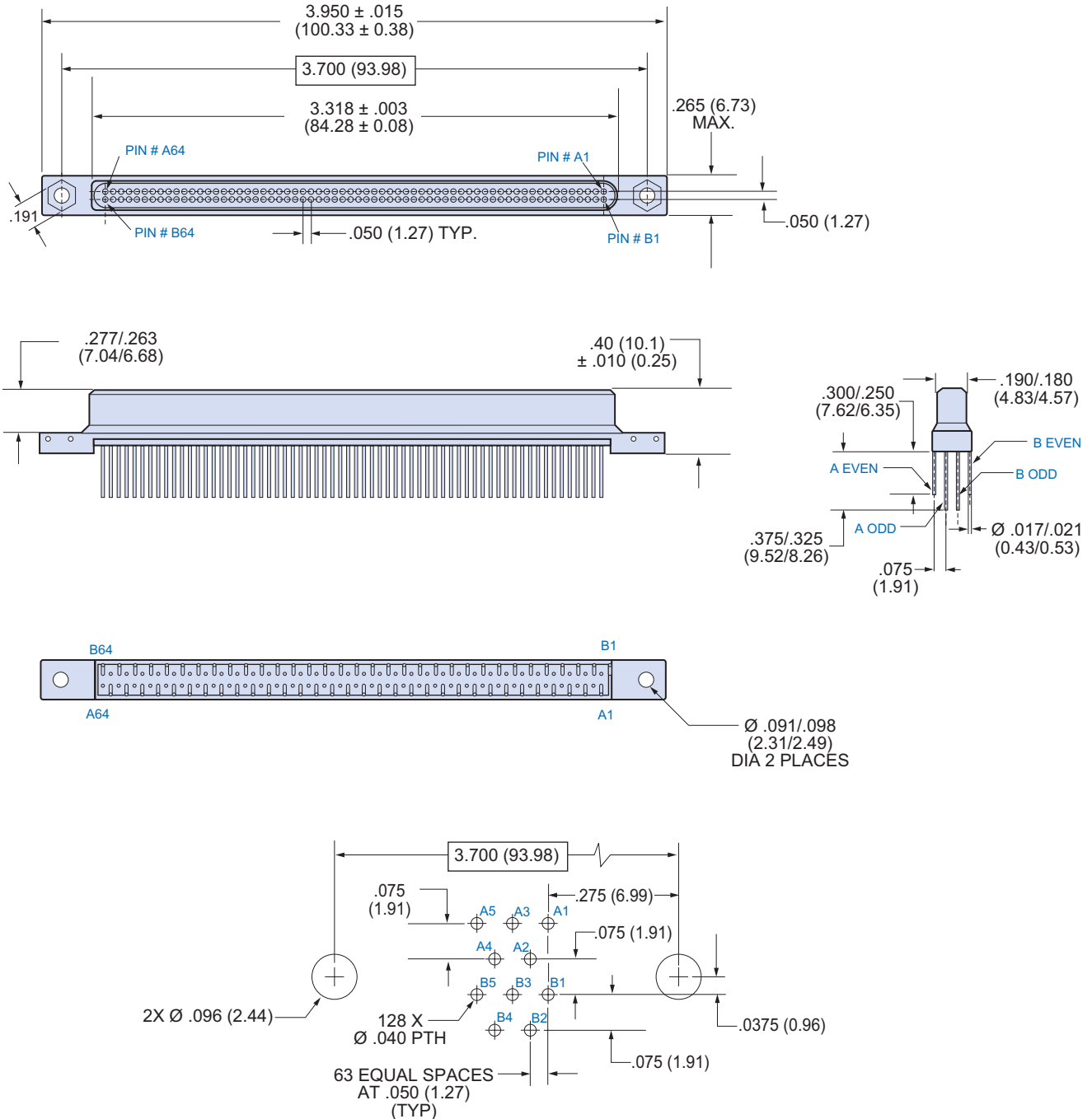
# MWEB Series EdgeBoard Connectors

## MWEB-128P Vertical Mount Backplane Connector



### MWEB-128P BACKPLANE THRU-HOLE CONNECTOR

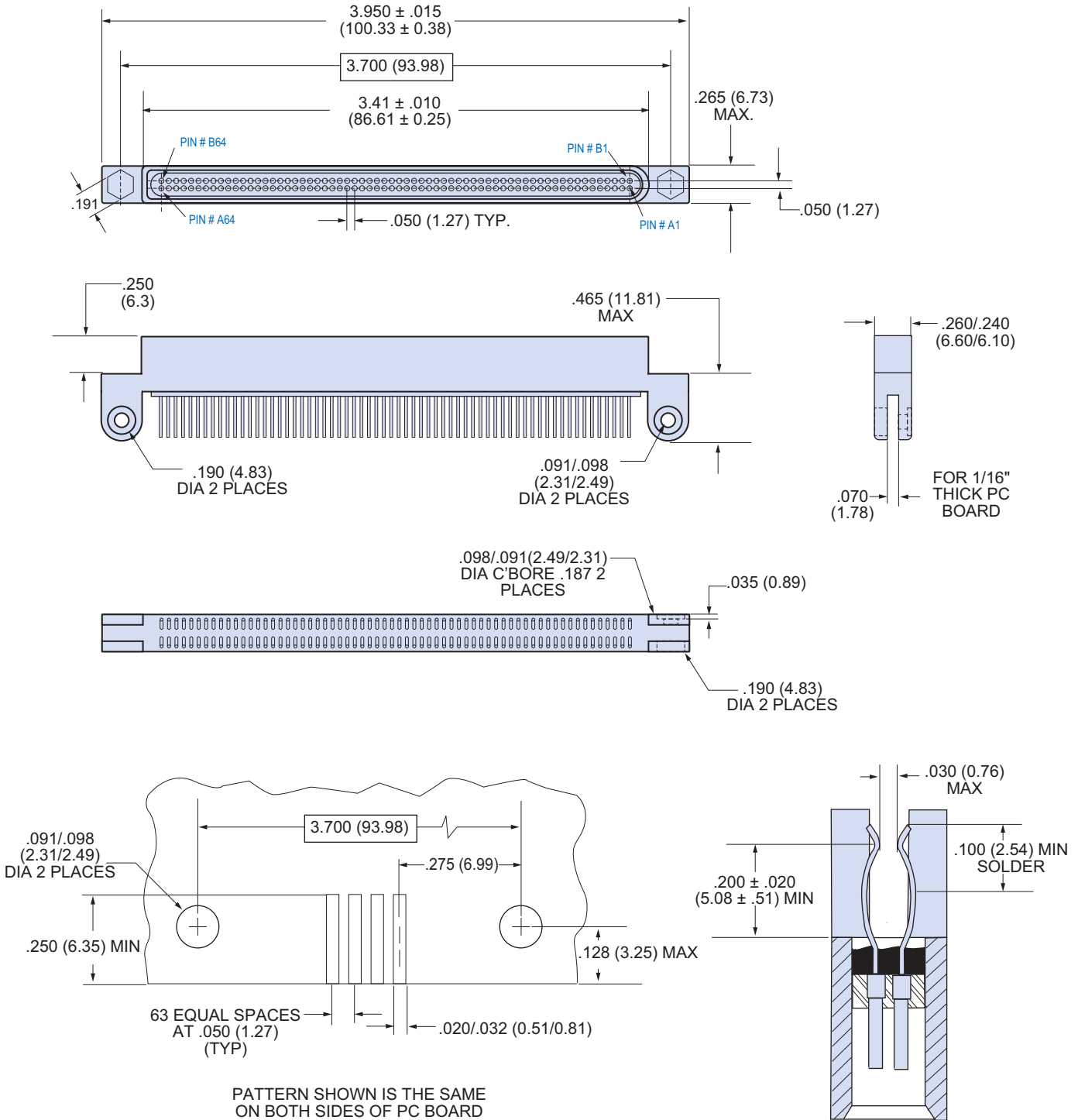
Part Number *MWEB2L-128P5W4-.375*



PATTERN SHOWN IS FOR CONNECTOR MOUNTING SIDE OF PC BOARD

### MWEB-128S STRADDLE MOUNT CARDEDGE CONNECTOR

*Part Number MWEB2L-128S4BS3*



# MWEB Series EdgeBoard Connectors

## MWEB-128S Right Angle Board Connector



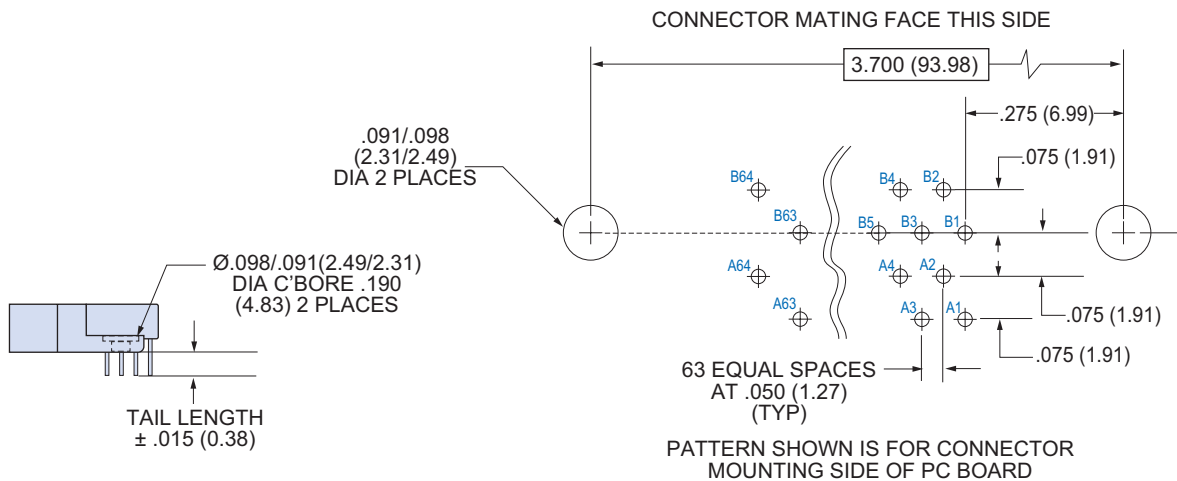
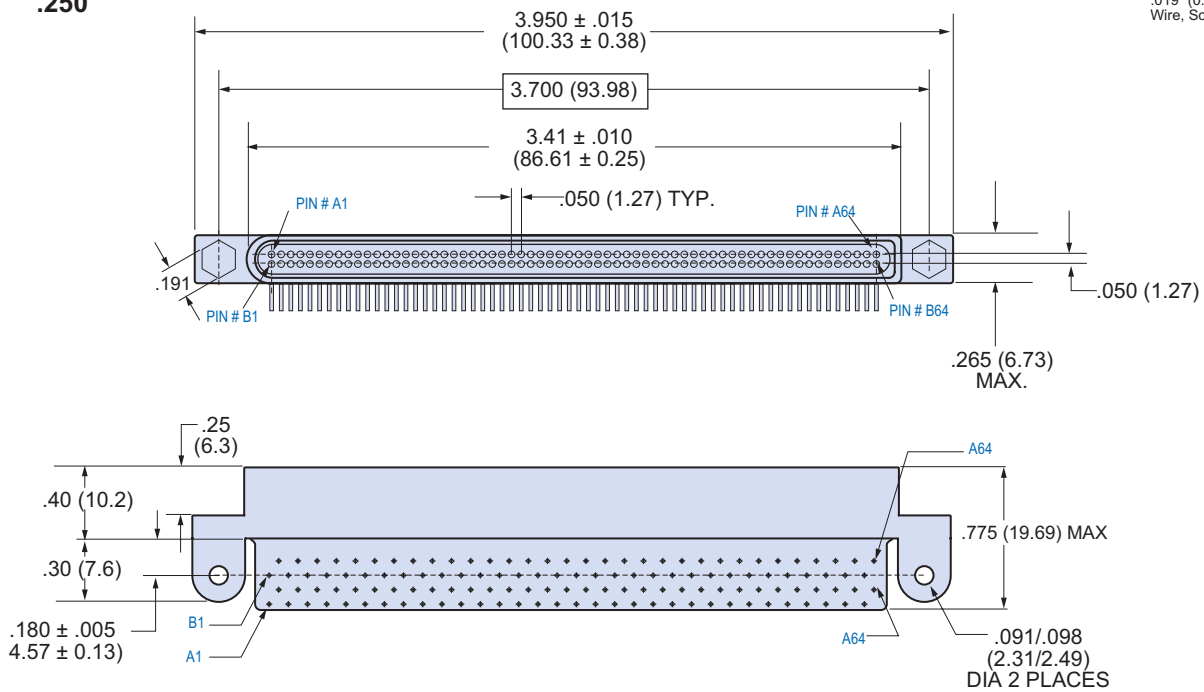
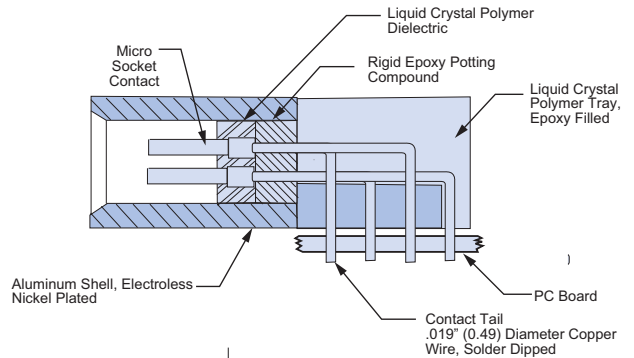
### MWEB-128S RIGHT ANGLE PCB CONNECTOR

**MWEB2L-128SBR- .125**

**Base Part Number** \_\_\_\_\_

**PC Tail Length**

.090  
.125  
.190  
.250



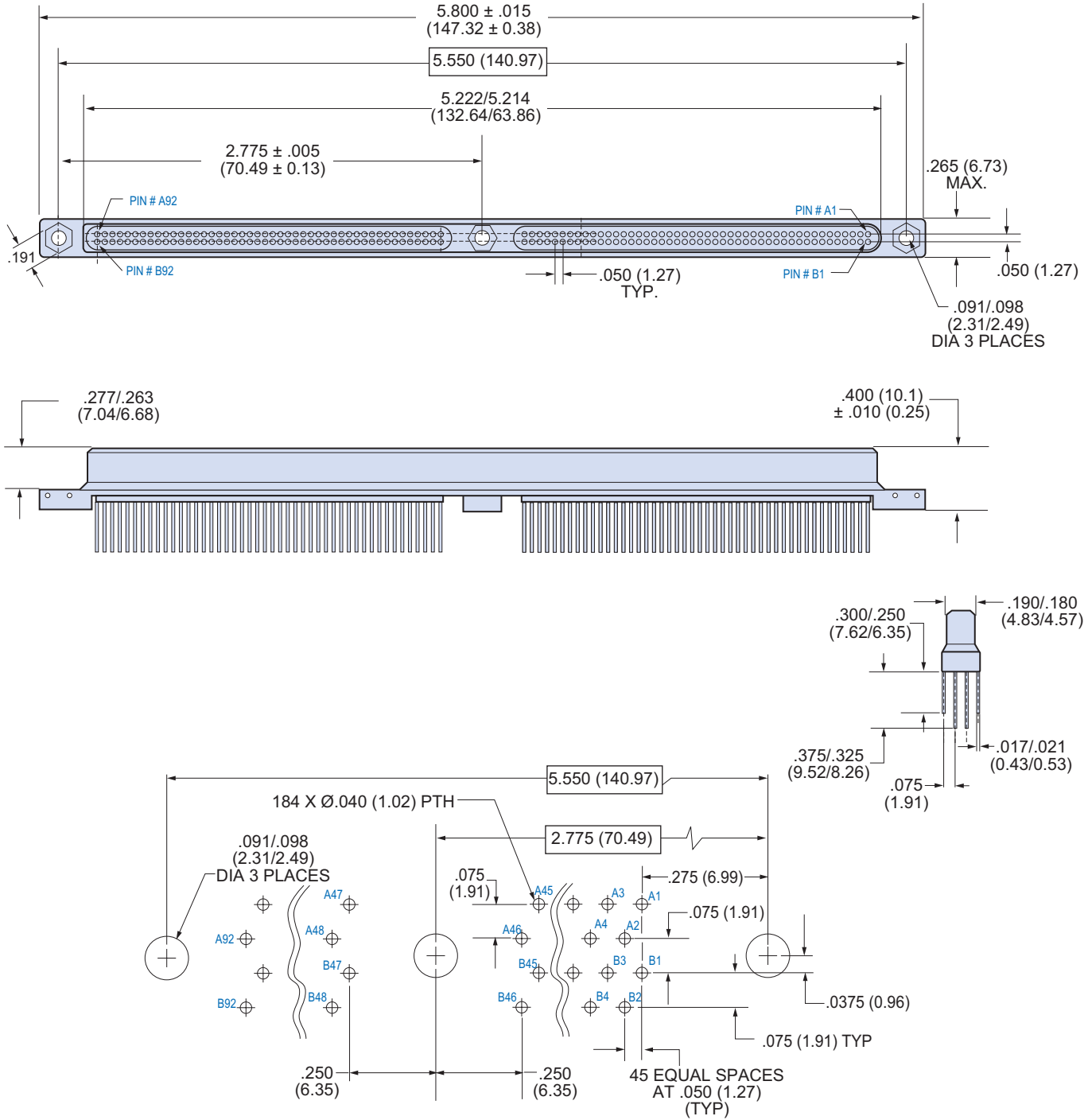


# MWEB Series EdgeBoard Connectors

## MWEB-184P Vertical Mount Backplane Connector

### MWEB-184P BACKPLANE THRU-HOLE CONNECTOR

Part Number *MWEB2L-184NP5W4-.375*



PATTERN SHOWN IS FOR CONNECTOR MOUNTING SIDE OF PC BOARD

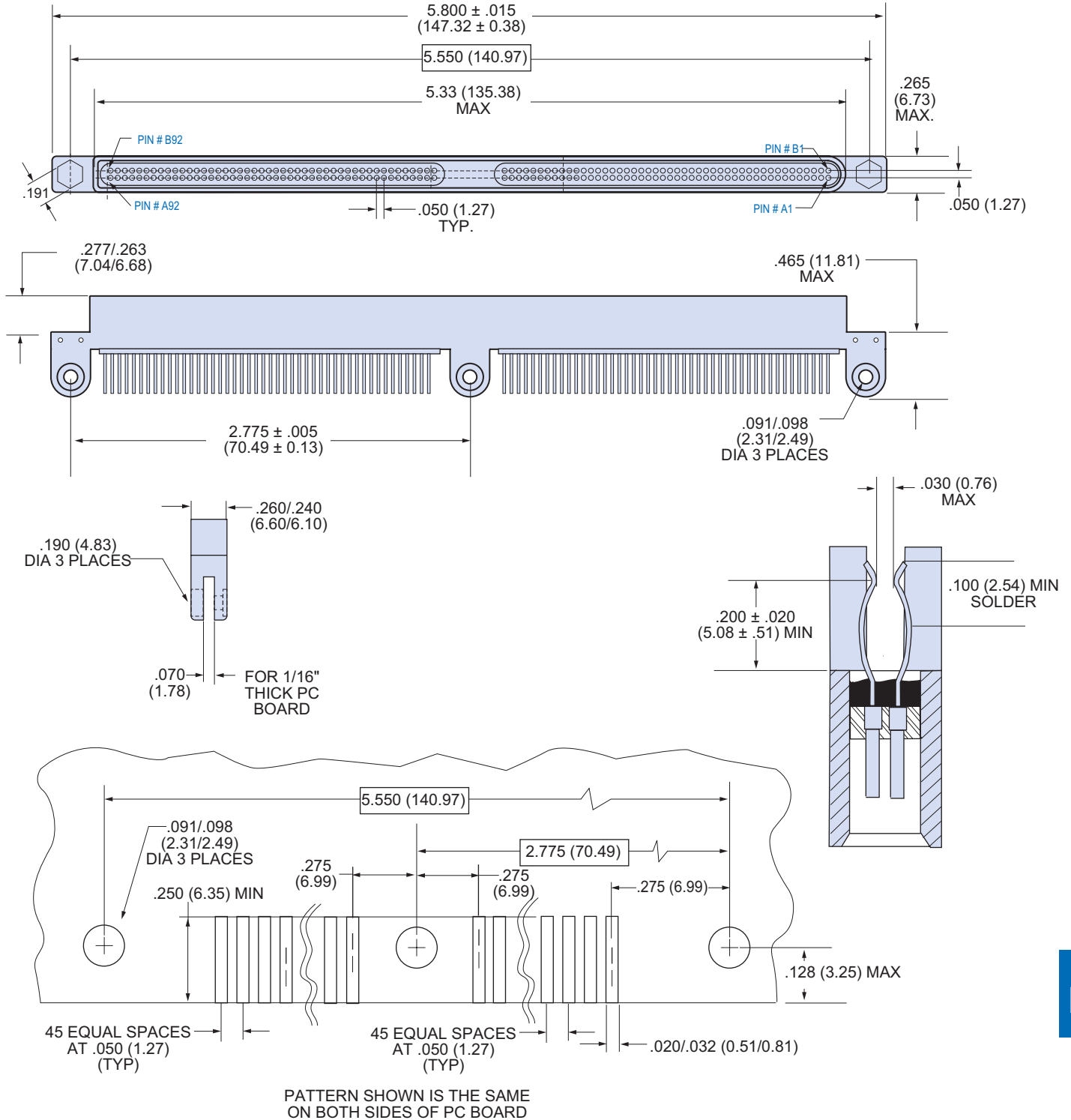
# MWEB Series EdgeBoard Connectors

## MWEB-184S Straddle Mount Cardedge Connector



### MWEB-184S STRADDLE MOUNT CARDEDGE CONNECTOR

Part Number MWEB2L-184NS4BS3



### MWEB-184S RIGHT ANGLE PCB CONNECTOR

**MWEB2L-184NSBR- .125**

Base Part Number

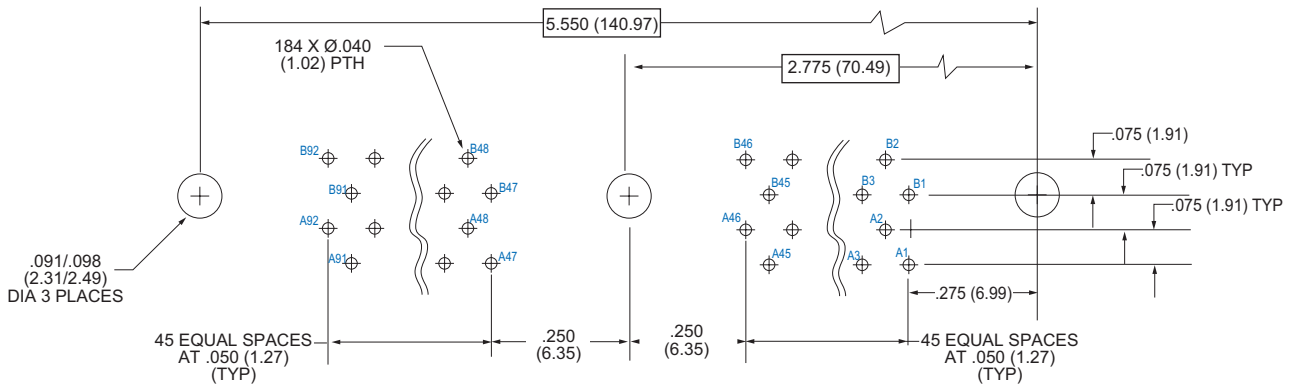
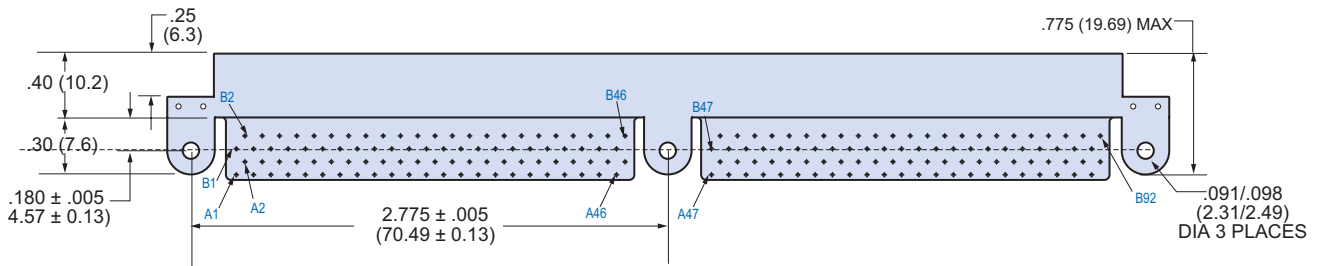
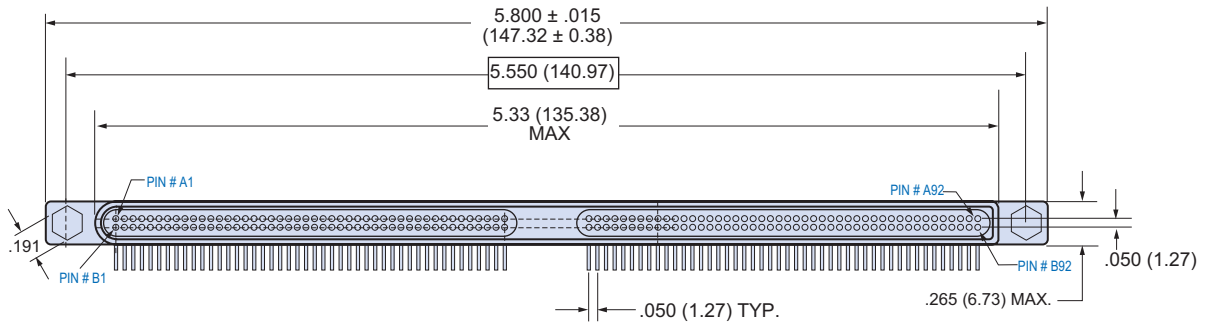
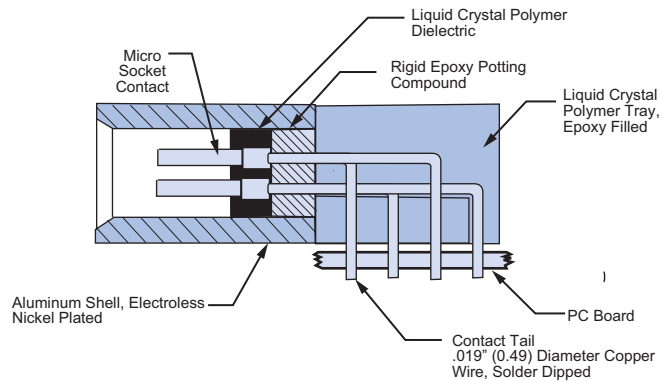
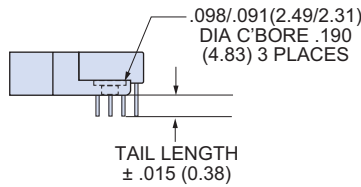
PC Tail Length

.090

.125

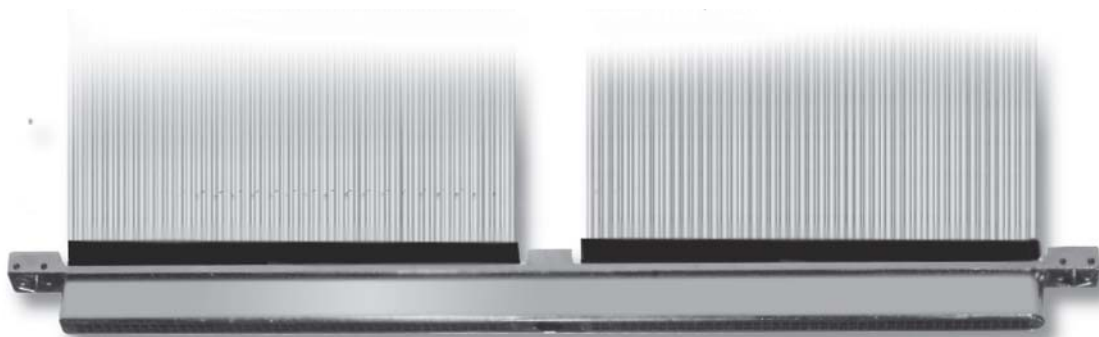
.190

.250



PATTERN SHOWN IS FOR CONNECTOR MOUNTING SIDE OF PC BOARD

# MWEB Series EdgeBoard Connectors MWEB Pre-Wired and Solder Cup Connectors



### MWEB EdgeBoard Connectors For Input/Output Wire-To-Board Applications –

With 128 or 184 contacts, these narrow profile factory-terminated MWEB connectors provide a space-saving I/O wire to board solution. Connector width of .25 inch (6.4 mm.) allows for high-density card slots.

### High Performance TwistPin Contacts

Suitable for airborne avionics processors and mission-critical computers, these pre-wired connectors feature interfacial seals and backpotting for improved environmental protection. Or, choose solder cup connectors for integration into wire harnesses.

HOW TO ORDER MWEB PIGTAIL CONNECTORS							
Series	Layout	Contact Type	Wire Gage (AWG)	Wire Type	Wire Color	Wire Length Inches	Hardware Option
MWEB2L	128	P – Pin	4 – #24	K – M22759/11 600 Vrms Teflon® (TFE) J – M22759/33® 600 Vrms Modified Cross-Linked Tefzel (ETFE)	1 – White 2 – Yellow 7 – Ten Color Repeating	18 Total Length In Inches. "18" Specifies 18 Inches.	N – No hardware J – Jackscrews P – Jackposts
	184N	S – Socket	6 – #26 8 – #28 0 – #30				
Sample Part Number							
MWEB2L	– 128	P	– 6	K	7	– 24	N

HOW TO ORDER MWEB SOLDER CUP CONNECTORS				
Series	Layout	Contact Type	Termination Type	Hardware Option
MWEB2L	128	P – Pin	S – Solder Cup	N – No hardware J – Jackscrews P – Jackposts
	184N	S – Socket		
Sample Part Number				
MWEB2L	– 128	P	S	N



## MWEB HARDWARE KITS

### MWEB Jackscrew and Jackpost Kits

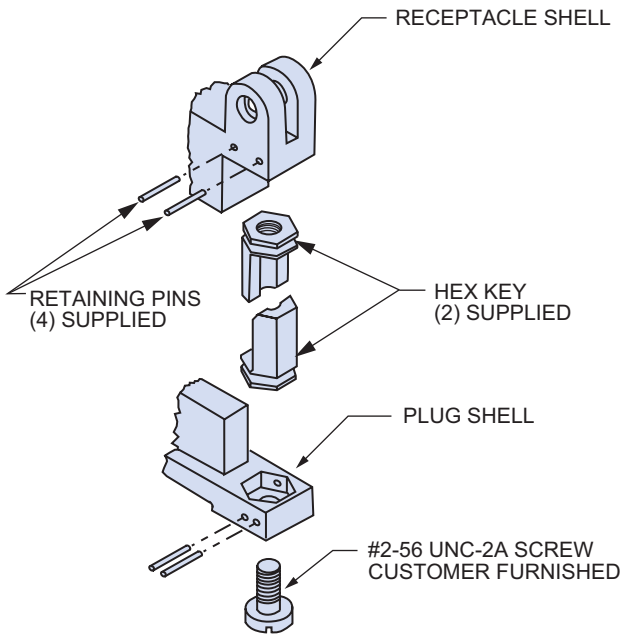
Stainless steel jackscrew kits are stainless steel and install with roll pins. Insert the stud through the flange from the mating side, then install the knurled head from the other side and attach to stud with a roll pin. Each kit contains two studs, two heads and two retainer pins.

Jackscrew Part Number (xx)

Jackpost Part Number (xx)



**Jackscrew Kit**



### MWEB Polarizing Keys

These stainless steel pol keys meet the requirements of MIL-C-55302/124-01. (6) keying positions per end equals (36) total positions. Install with roll pins, supplied. Half-hex keys are tapped for optional #2-56 screw installation. Kit consists of (2) keys and (4) retainer pins.

**Part Number 080-00-00-810**