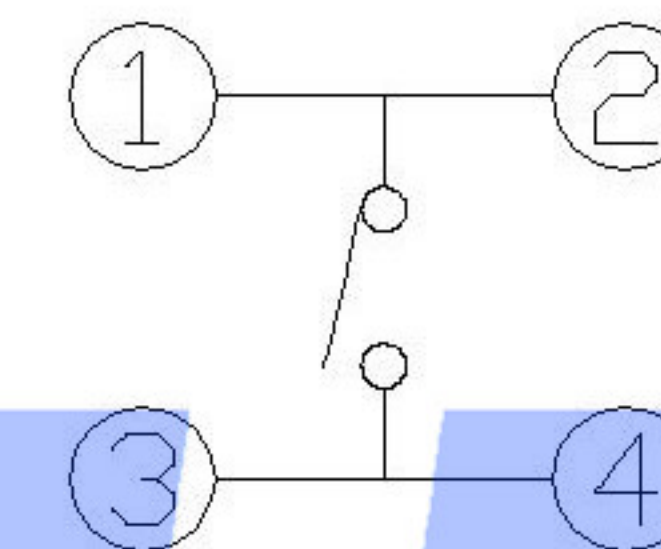


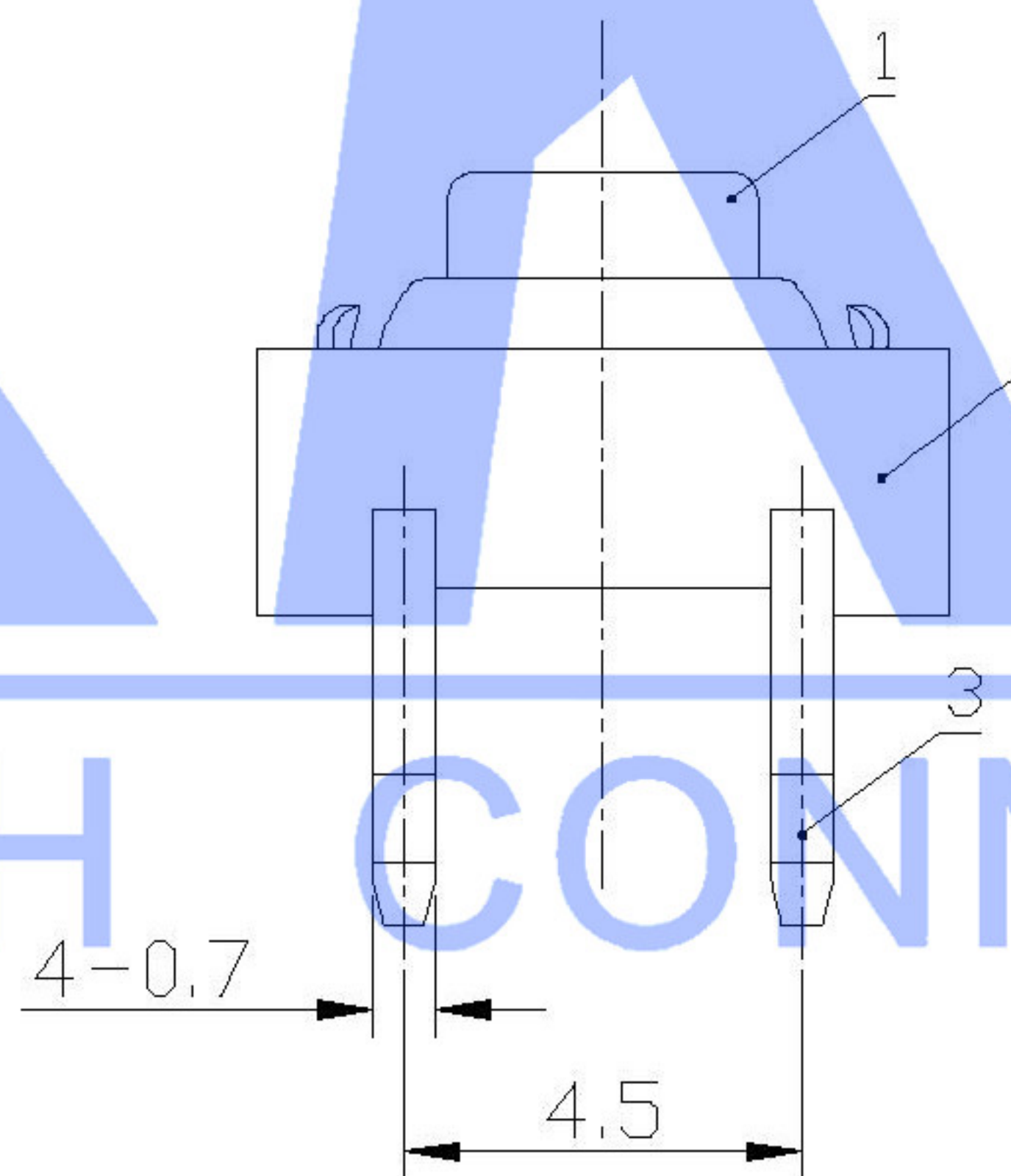
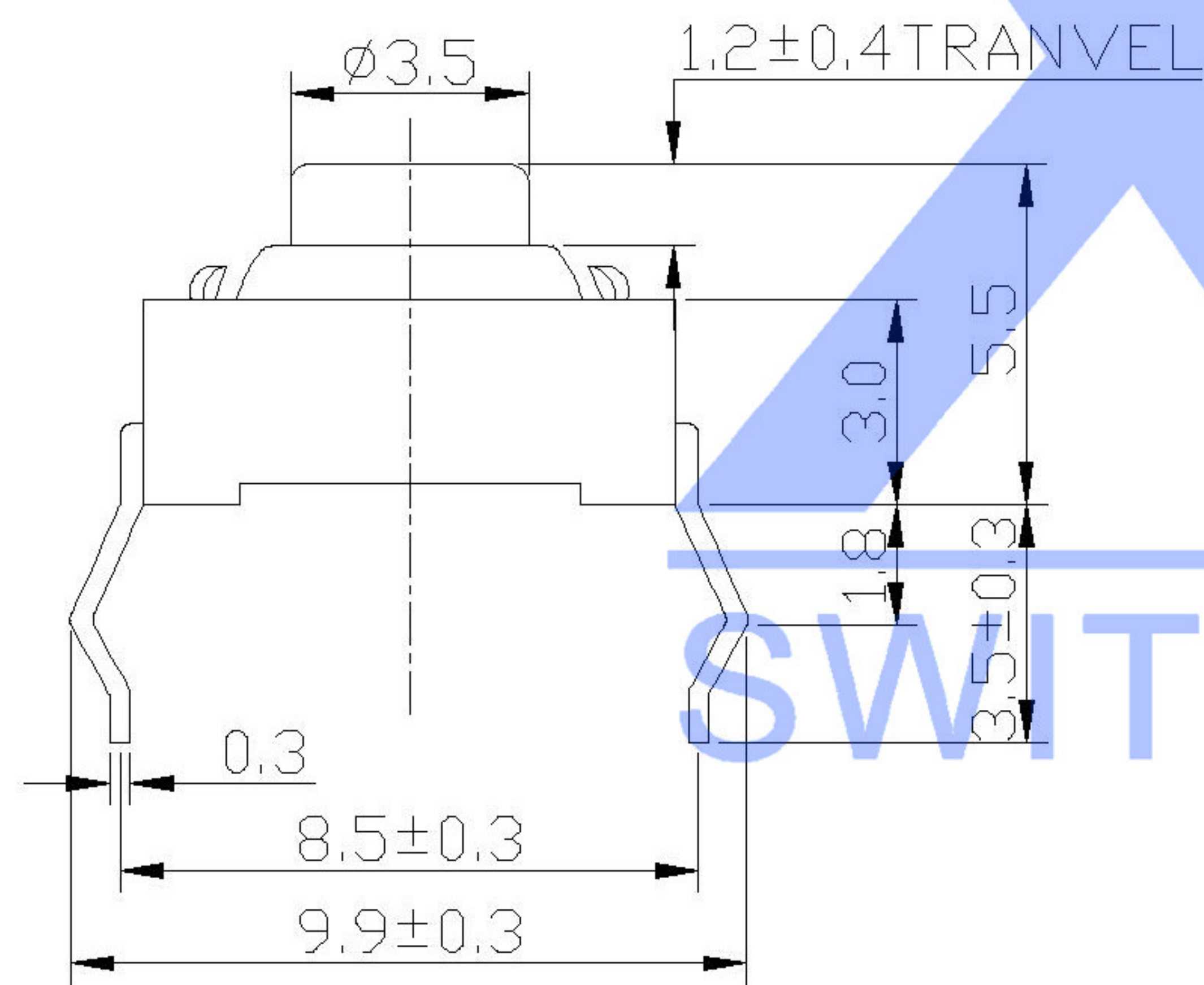
P. C. B LAYOUT



SCHEMATIC

SPECIFICATION

Contact Rating :	50mA, 12V DC
Contact Resistance :	100mΩ max
Insulation Resistance :	100mΩ min. 500V DC
Dielectric Strength :	250V AC/1minute
Travel :	1.2mm
Operating Temp :	-30°C ~ +85°C
Storage Temp :	-30°C ~ +80°C



SWITCH CONNECTOR

PAPT NO	TC-1117-X
Operating Force	B: 120gf
Height	H: 5.5

ITEM	PAPT NAMF	TER,NO	QTY	MATERIAL	FINISHING	REMARK
③	Terminal	4	4	Brass (0.30t)	Plating silvering	
②	Base	1	1	Pa46		
①	Keystake	1	1	Silica gel		

MARK	DESCRIPTION	DATE	REVISED	APPROVED	UNSPECIFIED TOLERANCES	DSND	DATE	SCALE: N/A	MODEL TYPE: TACT SWITCH
Δx					units: mm	DWN	DATE	VIEW:	PART NO.:
Δx					tolerance:	CHKD	DATE	UNIT: mm	DWG NO.:
Δx					X.X ±0.2mm	APPD	DATE	SIZE: A4	TC-1117-X
					X.XX ±0.1mm	XKB INDUSTRIAL PRECISION CO., LIMITED			
					X.XXX ±0.05mm				