

IEC Appliance Inlet C14 with Line Switch 1- or 2-pole



new

C14

 70 °C

**Description**

- Panel Mount:
Screw-on mounting on PCB/ from rear-side
- 2 Functions:
Appliance Inlet Protection class I, Line Switch 2-pole
- For PCB mounting
- Alternative: version with line filter [DC22](#)

Approvals

- VDE License Number: 40007009
- UL License Number: E96454

Characteristics

- Ultra-compact design
- All single elements are already wired
Unwired versions available on request
- Line switch non-illuminated or illuminated
- With or without rear-side insulation cover
- Ideal for application with high transient loads
- Qualified for use in equipment according IEC/EN 60950

Other versions on request

- Fixing on PCB with self-tapping screws 3 mm or pre-inserted nuts M3
- Other rocker marking
- For protection class II
- Without cover

References

[General Product Information](#)

Weblinks

[Approvals](#), [RoHS](#), [CHINA-RoHS](#), [Mating Connectors](#), [Distributor-Stock-Check](#), [Accessories](#)

Technical Data

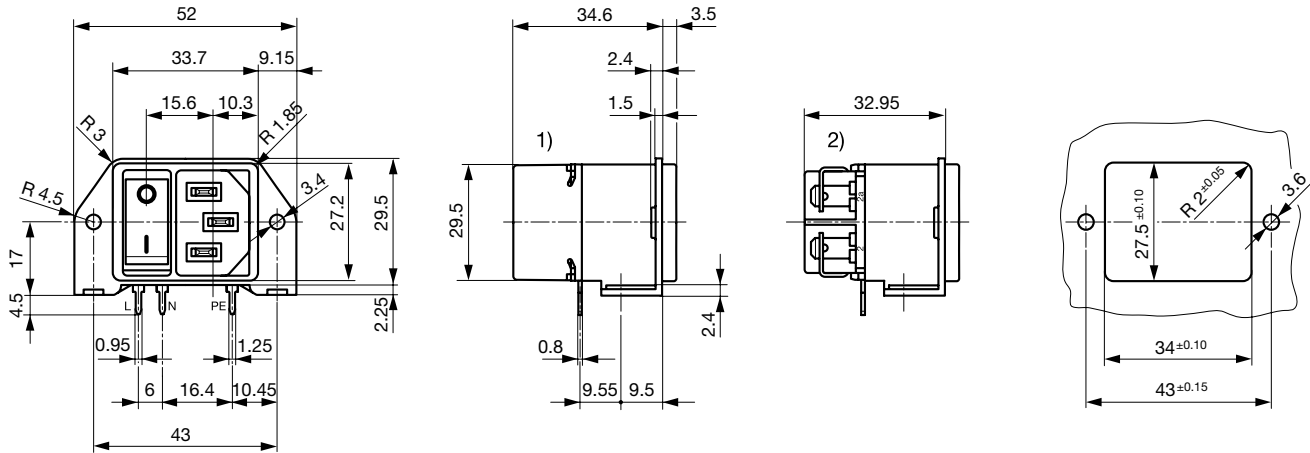
Ratings IEC	10A / 250VAC; 50Hz
Ratings UL/CSA	11A / 125VAC; 60Hz
Dielectric Strength	> 2.5kVAC between L-N > 3kVAC between L/N-PE (1 min/50Hz)
Allowable Operation Temp.	-25 °C to 70 °C
Degree of Protection	from front side IP 40 acc. to IEC 60529
Protection Class	Suitable for appliances with protection class 1 acc. to IEC 61140
Terminal	For PCB mounting ; Ground terminal: Quick connect terminals 4.8 x 0.8 mm
Panel Thickness s	Screw: max 3.5mm Mounting screw torque max 0.5Nm
Material: Housing	Thermoplastic, black, UL 94V-0

Appliance Inlet	C14 acc. to IEC/EN 60320-1, UL 498, CSA C22.2 no. 42 (for cold conditions) pin-temperature 70 °C, 10A, Protection Class 1
Line Switch	Rocker switch 2-pole, non-illuminated or illuminated, acc. to IEC 61058-1 Technical details

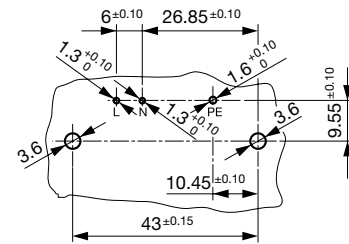
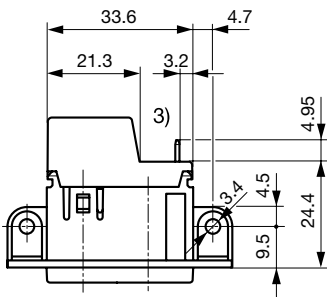
Dimensions

Screw on PCB mounting

38.1 mm



- 1) with cover
- 2) without cover

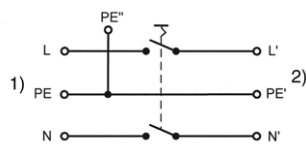
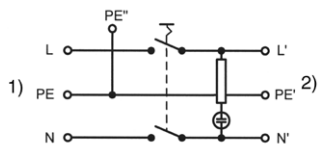


3) PE additionally as quick-connect terminal 4.8 x 0.8 mm

Diagrams

Line switch illuminated 2-pole

Line switch non-illuminated 2-pole



- 1) Line
- 2) Load

- 1) Line
- 2) Load

Variants

Panel mounting	Line Switch	Illumination	Color	Order Number
Screw	2-pole		-	DC21.0021.1111
Screw	2-pole	●	red	DC21.0023.1111
Screw	2-pole	●	green	DC21.0024.1111

Packaging unit 40 Pcs

Accessories

Description



[Cord retaining kits](#)
Cord retaining strain relief

Flat head, Z	0888.0021
Flat head, G	4700.0007

Mating Outlets/Connectors

Category / Description

[Appliance Outlet Overview complete](#)



IEC Appliance Outlet F, Screw-on Mounting, Front Side, Solder or Quick-connect Terminal	4787
IEC Appliance Outlet F, Snap-in Mounting, Front Side, Solder or Quick-connect Terminal	4788
IEC Appliance Outlet F or H, Screw-on Mounting, Front Side, Solder, PCB or Quick-connect Terminal	5091
IEC Appliance Outlet F or H, Screw-on Mounting, Front Side, Solder or Quick-connect Terminal	5092

[Appliance Outlet further types to DC21](#)

[Connector Overview complete](#)



IEC Connector C15, Rewireable, Straight	0101
IEC Connector C15A, Rewireable, Straight	0102
IEC Connector C15A, Rewireable, Straight	0102-G
IEC Connector C15A, Rewireable, Angled	0112
IEC Connector C13, Rewireable, Angled	4012

[Connector further types to DC21](#)

...

[Power Cord Overview complete](#)



Power Cord with IEC Connector C13, Angled	0311
Power Cord with IEC Connector C13, Angled	3011
Power Cord with IEC Connector C13, Angled	3012
Power Cord with IEC Connector C13, Angled	3013
Power Cord with IEC Connector C13	3020

[Power Cord further types to DC21](#)

...